

سپهر هیدروائیک آسیا



Kawasaki Motors Corp., U.S.A.  
Precision Machinery Division

# HMB 080

**Staffa Fixed Displacement  
Hydraulic Motor**



## CONTENTS

|                                   | <i>Page</i> |
|-----------------------------------|-------------|
| 1. General Description.....       | 2           |
| 2. Functional Symbols .....       | 2           |
| 3. Model Code .....               | 3           |
| 4. Performance Data:              |             |
| Motor data .....                  | 4           |
| Rating definitions .....          | 4           |
| Output torques .....              | 4           |
| Bearing life .....                | 5           |
| Volumetric efficiency .....       | 6           |
| 5. Circuit and Application Notes: |             |
| Starting torques .....            | 6           |
| Low speed operation .....         | 6           |
| High back pressure .....          | 6           |
| Boost pressure .....              | 6           |
| Cooling flow .....                | 6           |
| Motor casing pressure .....       | 7           |
| 6. Hydraulic Fluids .....         | 7           |
| 7. Temperature Limits .....       | 7           |
| 8. Filtration .....               | 7           |
| 9. Noise Levels .....             | 7           |
| 10. Polar Moment of Inertia ..... | 7           |
| 11. Mass .....                    | 7           |
| 12. Installation Data:            |             |
| General .....                     | 7           |
| Crankcase drain .....             | 7           |
| Start-up .....                    | 7           |
| 13. Installation Dimensions ..... | 8 to 11     |

## 1. GENERAL DESCRIPTION

The HMB080 fixed displacement motor is one of 12 frame sizes in the Kawasaki “Staffa” range of high torque, low speed radial piston motors which extends from 94 to 6800 cm<sup>3</sup>/r (5.76 to 415 in<sup>3</sup>/r) capacity. The rugged, well-proven design incorporates hydrostatic balancing techniques to achieve high efficiency, combined with good breakout torque and smooth running capability.

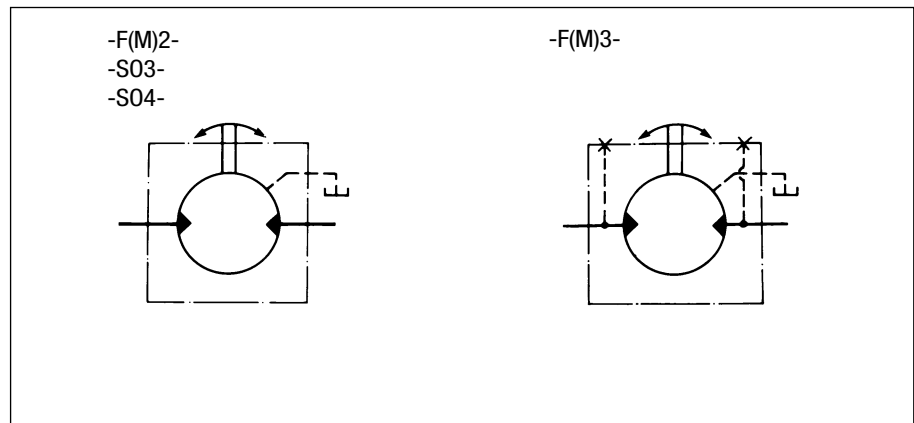
Various features and options are available including, on request, mountings to match competitor interfaces.

The HMB080 is capable of torque outputs up to 5950 Nm (4390 lbf ft) and speeds to 300 r/min with a continuous output of up to 100 kW (134 hp).

The Kawasaki “Staffa” range also includes dual and continuously variable displacement motors, plus matching brakes and gearboxes to extend the available torque range.

## 2. FUNCTIONAL SYMBOLS

All model types with variants in model code position **4**



### 3. MODEL CODE

Features shown in brackets ( ) may be left blank according to requirements.  
All other features must be specified.

**(F\*\*)-HM(\*)B080-(H)\*(V)-\*\*-(\*\*)-3\*(PL\*\*)**

**1**

**2**

**3**

**4**

**5**

**6**

**7**

#### **1 FLUID TYPE**

Blank = Petroleum oil  
F3 = Phosphate ester (HFD fluid)  
F11 = Water-based fluids (HFA,  
HFB and HFC)

#### **2 MODEL TYPE**

Blank = Standard ("HMB")  
M = To NCB (UK) specification  
463/1981 ("HMMB")  
R = Dual mount (front or rear)

#### **3 SHAFT TYPE**

Use "H" prefix code as noted to  
specify "hollow" shafts with through  
hole Ø 26,2 (1.03 dia).

*Hollow shafts are available only with  
type "S04" main port connection.*

(H)P\* = Cylindrical shaft with key  
(H)S\* = Cylindrical, 14 splines to  
BS 3550  
(H)Z\* = Cylindrical shaft to DIN  
5480 (W70 x 3 x 22 x 7h)  
(H)Q\* = Female, 24 splines to  
BS 3550  
T\* = Long tapered, keyed shaft  
X\* = Short tapered, keyed shaft

\* For installations where shaft is vertically  
upwards specify "V" after shaft type letter  
to ensure that additional high level drain  
port is provided.

#### **4 MAIN PORT CONNECTIONS**

Models with 2<sup>1</sup>/<sub>4</sub>" distributor valve▲  
F2◆ = SAE 1", 4-bolt (UNC) flanges  
FM2◆ = SAE 1", 4-bolt (metric)  
flanges

Models with 3" distributor valve  
S03 = 6-bolt (UNF) flange (Staffa  
original valve housing)

F3 = SAE 1<sup>1</sup>/<sub>4</sub>", 4-bolt (UNC)  
flanges

FM3 = SAE 1<sup>1</sup>/<sub>4</sub>", 4-bolt (metric)  
flanges

Models with 4" distributor valve■  
Must be specified when requiring  
hollow shafts, type HP, HS, HZ or HQ  
S04■ = 6 bolt (UNF) flange (Staffa  
original valve housing)

▲ Gives minimum overall length of HMB080  
motor

◆ Max. inlet flow 200 l/min (53 USgpm);  
reduced max. continuous speed and output  
power, see "Performance Data", page 4.

■ Obligatory for hollow shafts. See increased  
installation dimensions with 4" valve.

#### **5 TACHO/ENCODER DRIVE**

T = Staffa original tacho drive  
T1 = Suitable for Hohner 3000  
series encoders. (Encoder  
to be ordered separately)

Omit if not required and when  
specifying shaft types "H\*\*"

#### **6 DESIGN NUMBER, 3\* SERIES**

Subject to change. Installation and  
performance details remain  
unaltered for design numbers 30 to  
39 inclusive.

#### **7 SPECIAL FEATURES**

PL\*\* = non-catalogued features,  
e.g.:  
Stainless steel shaft sleeves  
Alternative encoder and tacho drives  
Alternative port connections  
Shaft variants  
Alternative reduced capacities  
Special mountings  
Special paint

\*\* Number assigned as required to specific  
customer build.

## 4. PERFORMANCE DATA

Performance data is valid for Staffa HMB080 motors fully run in and operating with petroleum oil. See separate table for pressure and speed limits when using fire-resistant fluids. Leakage values are at fluid viscosity of 50 cSt (232 SUS).

### MOTOR DATA

|                               |   | Port connection type, see model code <b>4</b> |             |
|-------------------------------|---|---|-------------|
|                               |   | S03, F3, FM3, S04                             | F2, FM2     |
| Geometric displacement▲       | cm <sup>3</sup> /r (in <sup>3</sup> /r) | 1344 (82)                                     | 1344 (82)   |
| Average actual running torque | Nm/bar (lbf ft/psi)                     | 19,9 (1.01)                                   | 19,9 (1.01) |
| Max. continuous♦speed         | r/min                                   | 300   | 150         |
| Max. continuous♦output        | kW (hp)                                 | 100 (134)                                     | 77 (103)    |
| Max. continuous♦pressure      | bar (psi)                               | 250 (3625)                                    | 250 (3625)  |
| Max. intermittent♦pressure    | bar (psi)                               | 293 (4250)                                    | 293 (4250)  |

▲ Other lower displacements are made available to special order

♦ See "Rating Definitions", this page

### LIMITS FOR FIRE RESISTANT FLUIDS

| Fluid type                        | Pressure, bar (psi) |              | Max. speed r/min                |
|-----------------------------------|---------------------|--------------|---------------------------------|
|                                   | Continuous          | Intermittent |                                 |
| HFA, 5/95% oil-in-water emulsion  | 103 (1500)          | 138 (2000)   | 50% of limits for petroleum oil |
| HFB, 60/40% water-in-oil emulsion | 138 (2000)          | 172 (2500)   | As for petroleum oil            |
| HFC, water glycol                 | 103 (1500)          | 138 (2000)   | 50% of limits for petroleum oil |
| HFD, phosphate ester              | 250 (3625)          | 293 (4250)   | As for petroleum oil            |

### RATING DEFINITIONS

#### ● CONTINUOUS RATING

For continuous duty the motor must be operating within each of the maximum values for speed, pressure and power.

#### ● INTERMITTENT RATING

Operation within the intermittent power rating (up to the maximum continuous speed) is permitted on a 15% duty basis, for periods up to 5 minutes maximum.

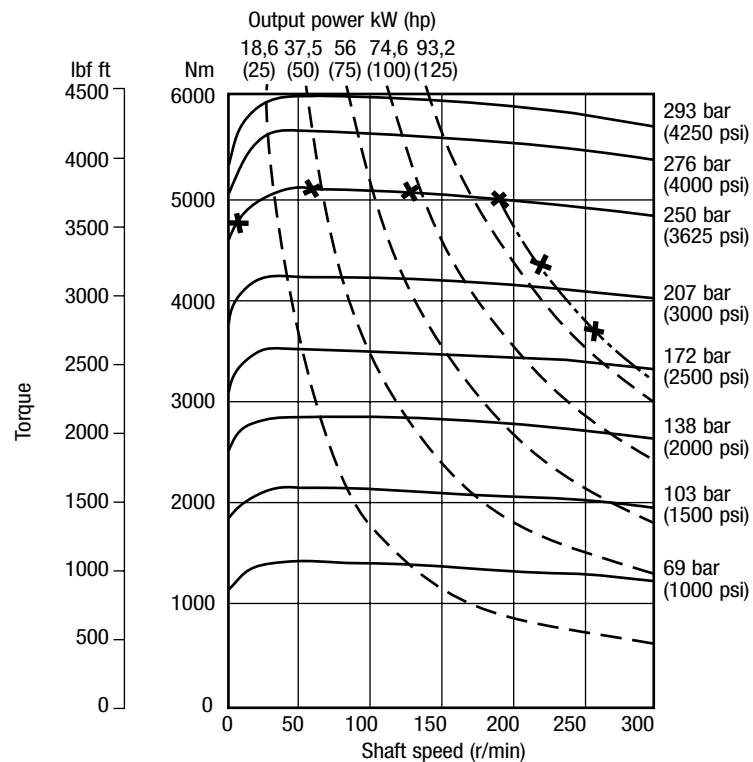
#### ● INTERMITTENT MAX. PRESSURE

Up to 293 bar (4250 psi) is allowable on the following basis:

- Up to 50 r/min: 15% duty for periods up to 5 minutes maximum.
- Over 50 r/min: 2% duty for periods up to 30 seconds maximum.

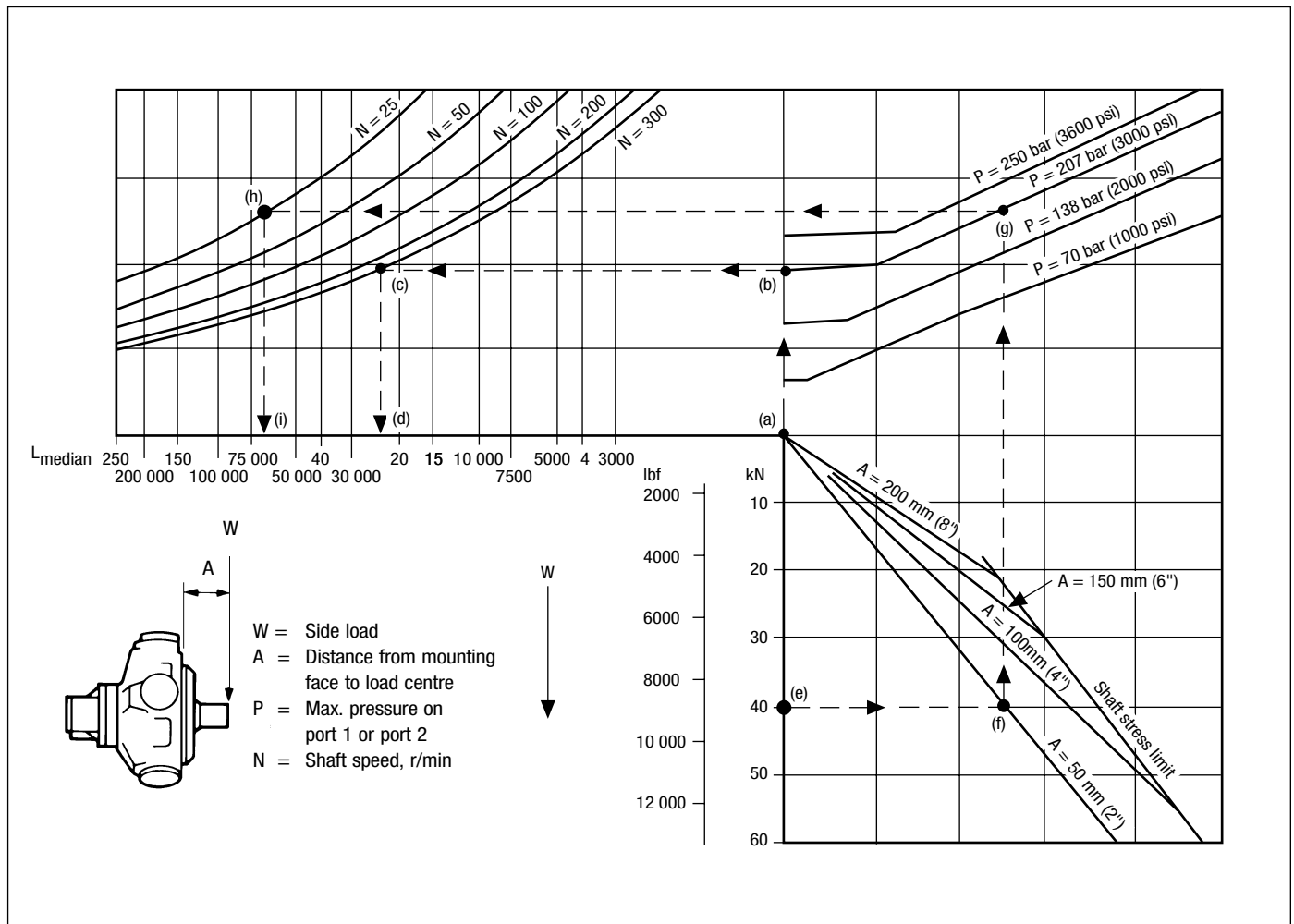
### OUTPUT TORQUES

The torque curves indicate the maximum output torque and power of a fully run-in motor for a range of pressures and speeds when operating with zero outlet pressure on petroleum oil of 50 cSt (232 SUS) viscosity. High return line pressures will reduce torque for a given pressure differential.



—x—x—x— Upper limit of continuous rating envelope, see "Rating definitions" above.

# BEARING LIFE



The nomograph allows the median bearing life to be determined for conditions of:

1. No side load and no axial thrust
2. Side load and no axial thrust

▲ To determine L10 life predictions per ISO 281-1-1977 multiply the median figure by 0.2.

For more precise life prediction, or where axial thrusts are incurred, a computer analysis can be provided by Kawasaki on receipt of machine duty cycle.

● **SHAFT STRESS LIMIT**  
The shaft stress limit in the nomograph is based on the fatigue rating of shaft types "(H)S" and "(H)P". Infrequent loading above these limits may be permitted; consult Kawasaki.

## HMB080

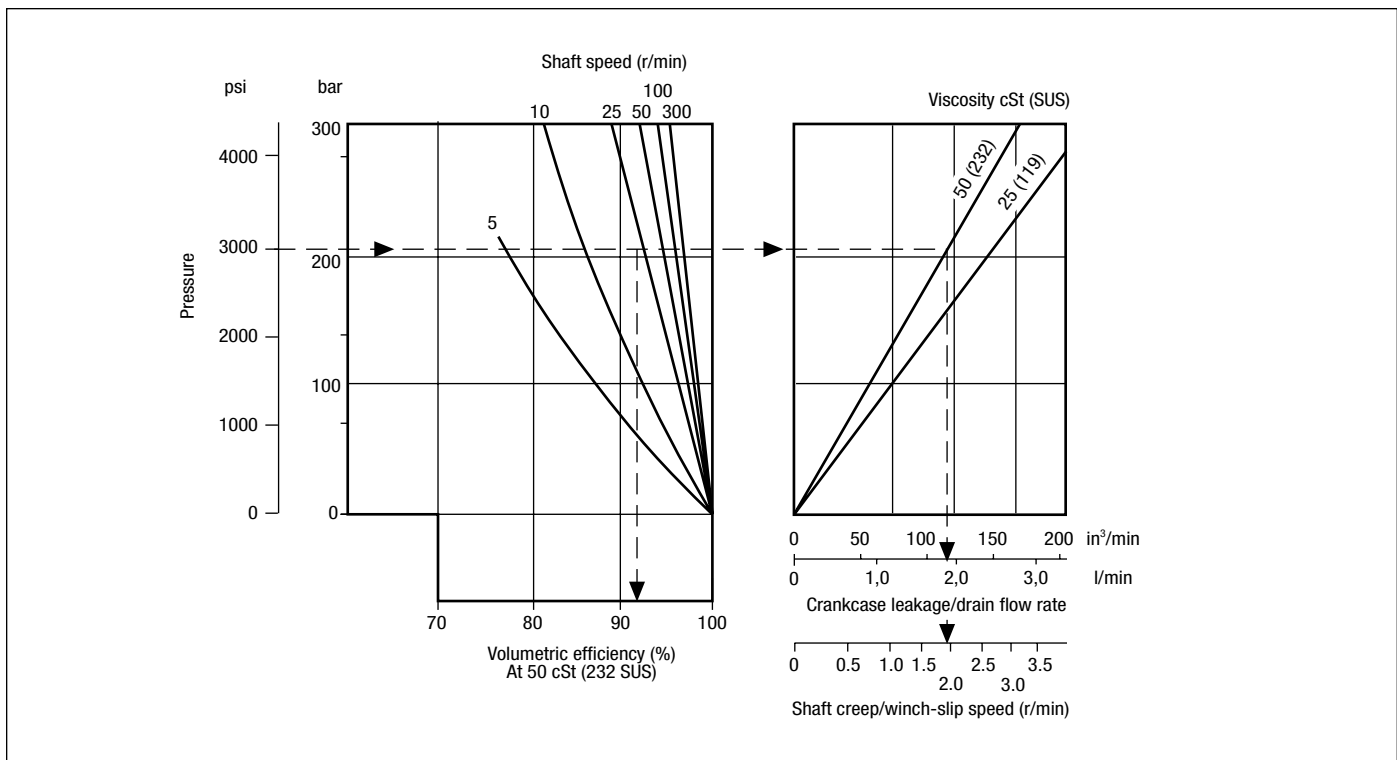
Example 1 (follow chain dotted line):

|                                   |                       |
|-----------------------------------|-----------------------|
| Side load (W)                     | a) 0                  |
| System pressure (P)               | b) 207 bar (3000 psi) |
| Speed (N)                         | c) 300 r/min          |
| Median bearing life               | d) 23 000 hrs         |
| L10 bearing rating = median x 0.2 | 4600 hrs              |

Example 2 (follow chain dotted line):

|  |                       |
|--|-----------------------|
| Side load (W)                            | e) 40 kN (9000 lbf)   |
| Load offset (A) from motor mounting face | f) 50 mm (2.0 in)     |
| System pressure (P)                      | g) 207 bar (3000 psi) |
| Speed (N)                                | h) 25 r/min           |
| Median bearing life                      | i) 62 000 hrs         |
| L10 bearing rating = median x 0.2        | 12 400 hrs            |

## VOLUMETRIC EFFICIENCY



This nomograph enables the average volumetric efficiency, crankcase (drain) leakage and “winch slip”/shaft creep speed to be estimated.

Example (follow chain dotted line):

Given:

1. Pressure .....207 bar (3000 psi)
2. Speed .....25 r/min
3. Viscosity .....50 cSt (232 SUS)

To obtain:

4. Volumetric efficiency .....91.8%
5. Crankcase leakage .....1,9 l/min  
(115.0 in<sup>3</sup>/min)
6. Shaft creep speed .....1.9 r/min

The shaft creep speed occurs when the load attempts to rotate the motor against closed ports as may occur, for example, in winch applications.

## 5. CIRCUIT AND APPLICATION NOTES

### STARTING TORQUES

The starting torques shown on the graph on page 4 are average and will vary with system parameters.

### LOW SPEED OPERATION

Minimum operating speeds are determined by load conditions (load

inertia, drive elasticity, etc.). For operation at speeds below 3 r/min consult Kawasaki.

### HIGH BACK PRESSURE

When both inlet and outlet ports are pressurized continuously, the lower pressure in one port must not exceed 70 bar (1000 psi). Consult Kawasaki on applications beyond this limit. Note that high back pressures reduce the effective torque output of the motor.

### BOOST PRESSURE

When operating as a motor the outlet pressure should equal or exceed the crankcase pressure. If pumping occurs (i.e. overrunning loads) then a positive pressure, “P”, is required at the motor inlet ports. Calculate “P” according to port connection type being used, from:

$$P \text{ (bar)} = 1 + \frac{N^2}{D_{\text{bar}}} + C \text{ bar}$$

$$P \text{ (psi)} = 14.5 + \frac{N^2}{D_{\text{psi}}} + C \text{ psi}$$

Where:

- N = speed, r/min
- C = crankcase pressure
- D = see table

| Port connection type | D value   |
|----------------------|---|
| F2 & FM2             | D <sub>bar</sub> = 1500<br>D <sub>psi</sub> = 103   |
| S03, S04<br>F3, FM3  | D <sub>bar</sub> = 10 000<br>D <sub>psi</sub> = 690 |

The flow rate of oil needed for the make-up system can be estimated from the crankcase leakage figure (see Volumetric Efficiency graph above). Allowance should be made for other system losses and also for “fair wear and tear” during the life of the motor, pump and other system components.

### COOLING FLOW

Operation within the continuous ratings does not require any additional cooling.

For operating conditions above “continuous”, up to the “intermittent” ratings, additional cooling oil may be required. This can be introduced through the spare crankcase drain hole or, in special cases, through the valve spool end cap. Consult Kawasaki about such applications.

## MOTOR CASING PRESSURE

With the standard shaft seal fitted, the motor casing pressure should not exceed 3,5 bar (50 psi). On installations with long drain lines a relief valve is recommended to prevent over-pressurizing the seal.

### Notes:

1. The casing pressure at all times must not exceed either the motor inlet or outlet pressure.
2. High pressure shaft seals are available to special order for casing pressures of:  
Continuous: 10 bar (150 psi)  
Intermittent: 15 bar (225 psi)
3. Check installation dimensions (page 8) for maximum crankcase drain fitting depth.

## 6. HYDRAULIC FLUIDS

Dependent on motor (see Model Code position **1**) suitable fluids include:

- Antiwear hydraulic oils
- Phosphate esters (HFD fluids)
- Water glycols (HFC fluids) ▲
- 60/40% water-in-oil emulsions (HFB fluids) ▲
- 5/95% oil-in-water emulsions (HFA fluids) ▲

▲ Reduced pressure and speed limits, see page 4.

Viscosity limits when using any fluid except oil-in-water (5/95%) emulsions are:

|               |                          |
|---------------|--------------------------|
| Max. off load | .....2000 cSt (9270 SUS) |
| Max. on load  | .....150 cSt (695 SUS)   |
| Optimum       | .....50 cSt (232 SUS)    |
| Minimum       | .....25 cSt (119 SUS)    |

## PETROLEUM OIL RECOMMENDATIONS

The fluid should be a good hydraulic grade, non-detergent petroleum oil. It should contain anti-oxidant, anti-foam and demulsifying additives. It must contain antiwear or EP additives. Automatic transmission fluids and motor oils are not recommended.

## 7. TEMPERATURE LIMITS

|              |                    |
|--------------|--------------------|
| Ambient min. | .....-30°C (-22°F) |
| Ambient max. | .....+70°C (158°F) |

Max. operating temperature range

|       | Petroleum oil | Water-containing |
|-------|---------------|------------------|
| Min.  | -20°C (-4°F)  | +10°C (50°F)     |
| Max.* | +80°C (175°F) | +54°C (130°F)    |

\* To obtain optimum service life from both fluid and hydraulic system components 65°C (150°F) normally is the maximum temperature except for water-containing fluids.

## 8. FILTRATION

Full flow filtration (open circuit), or full boost flow filtration (closed circuit) to ensure system cleanliness of ISO 4406/1986 code 18/14 or cleaner.

## 9. NOISE LEVELS

The airborne noise level is less than 66,7 dB(A) DIN (70 dB(A) NFPA) throughout the “continuous” operating envelope.

Where noise is a critical factor, installation resonances can be reduced by isolating the motor by elastomeric means from the structure and the return line installation. Potential return line resonances originating from liquid borne noise can be further attenuated by providing a return line back pressure of 2 to 5 bar (30 to 70 psi).

## 10. POLAR MOMENT OF INERTIA

Typical data: 0,06 kg m<sup>2</sup> (210 lb in<sup>2</sup>).

## 11. MASS

Approx., all models: 144 kg (317 lb).

## 11. INSTALLATION DATA

### GENERAL

#### ● Spigot

The motor should be located by the mounting spigot on a flat, robust surface using correctly sized bolts. The diametral clearance between the motor spigot and the mounting must not exceed 0,15 mm (0.006 in). If the application incurs shock loading, frequent reversing or high speed running, then high tensile bolts should be used, including one fitted bolt.

#### ● Bolt torque

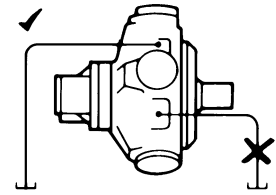
The recommended torque wrench settings for the mounting bolts are:  
M20 bolts.....407±14 Nm (300±10 lbf ft)  
3/4” bolts.....393±14 Nm (290±10 lbf ft)

#### ● Shaft coupling

Where the motor is solidly coupled to a shaft having independent bearings the shafts must be aligned to within 0,13 mm (0.005 in) TIR.

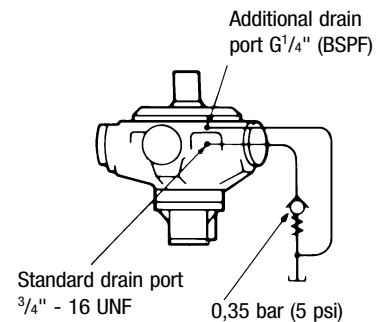
## CRANKCASE DRAIN

Motor axis horizontal



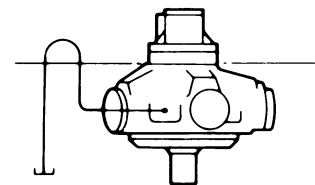
The crankcase drain must be taken from a position above the horizontal centre line of the motor.

Axis vertical, shaft up



An additional G<sup>1</sup>/<sub>4</sub>” (BSPF) drain port is provided when the “V” (shaft vertically upwards) designator is given after the shaft type letter in position **3** of the model code. This additional drain should be connected into the main motor casing drain line downstream of a 0,35 bar (5 psi) check valve to ensure lubrication of the upper bearing, see above diagram.

Axis vertical, shaft down



Use any drain position. The drain line should be run above the level of the uppermost bearing; if there is risk of siphoning then a siphon breaker should be fitted.

## START-UP

Fill the crankcase with system fluid. Where practical, a short period (30 minutes) of “running-in” should be carried out.

# 13. INSTALLATION DIMENSIONS IN MM (INCHES)

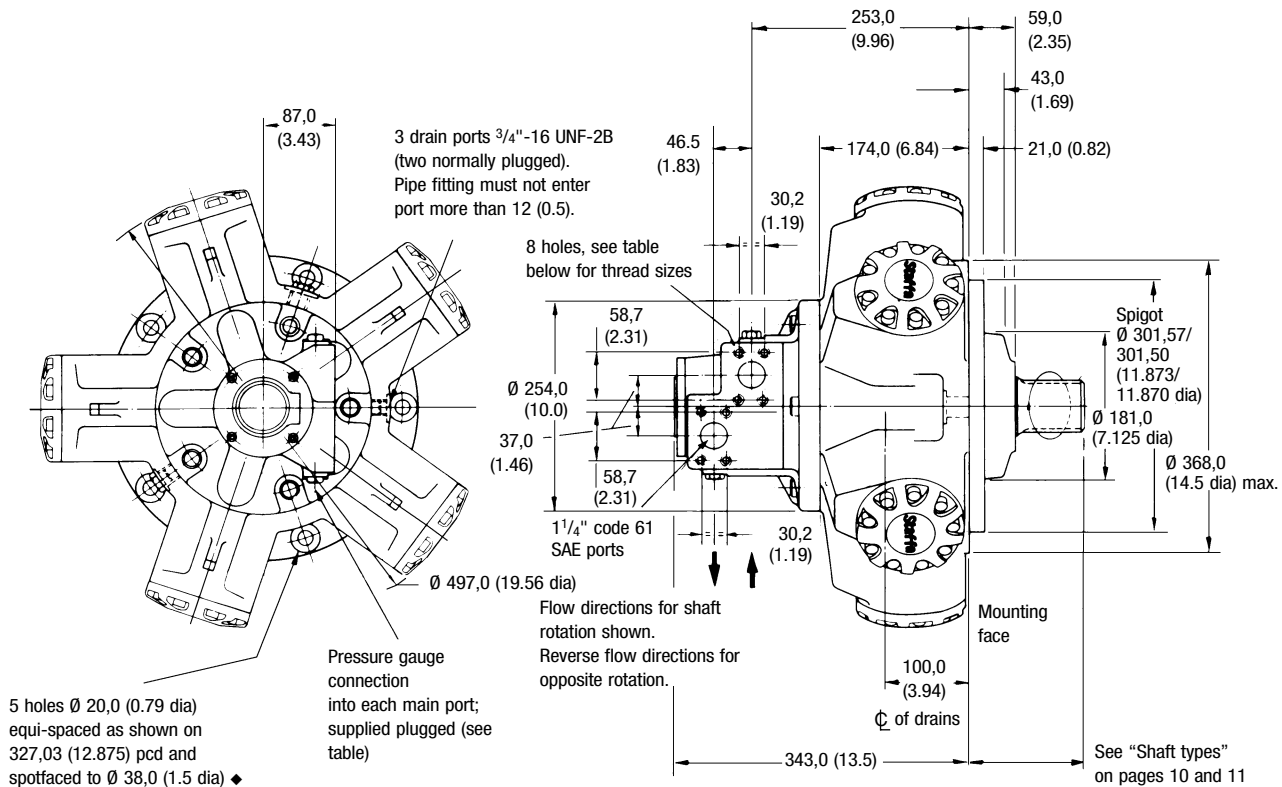
## FRONT-MOUNTING MODELS

### HMB080 MOTORS WITH TYPE "F3"/"FM3" (1 1/4" SAE) PORT CONNECTION

See separate drawing for dual-mount model.

See additional views for shaft types and for types "S03" and "S04" port connection.

See drawing of dual-mount model for details of types "F2" and "FM2" port connection.



#### Port flange bolt tappings

| Model code | Tapping size                                    | Gauge connections         |
|------------|---|---------------------------|
| F3         | 7/16"-14 UNC-2B x 27,0 (1.06) full thread depth | 9/16"-18 UNF-2B, SAE J475 |
| FM3        | M12 x P1.75 x 27,0 (1.06) full thread depth     | G1/4" (BSPF)              |

♦  $\text{Ø } 0,15 \text{ (0.006)}$

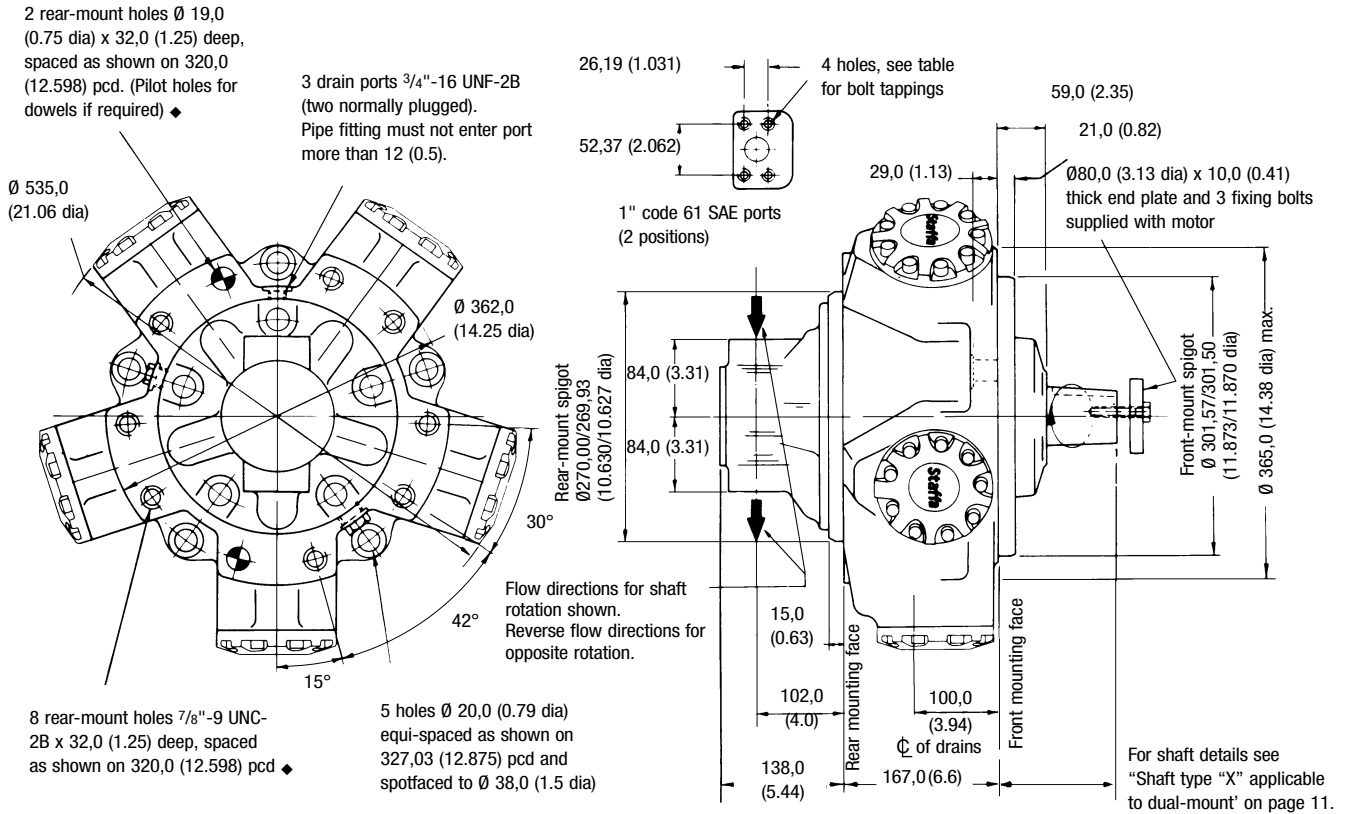


## DUAL-MOUNT MODELS

### HMRB080 MOTORS WITH TYPE "F2"/"FM2" (1" SAE) PORT CONNECTION

See additional views for shaft types and for types "S03" and "S04" port connection.

See drawing of front-mount model for details of types "F3" and "FM3" port connection.



#### Port flange bolt tappings

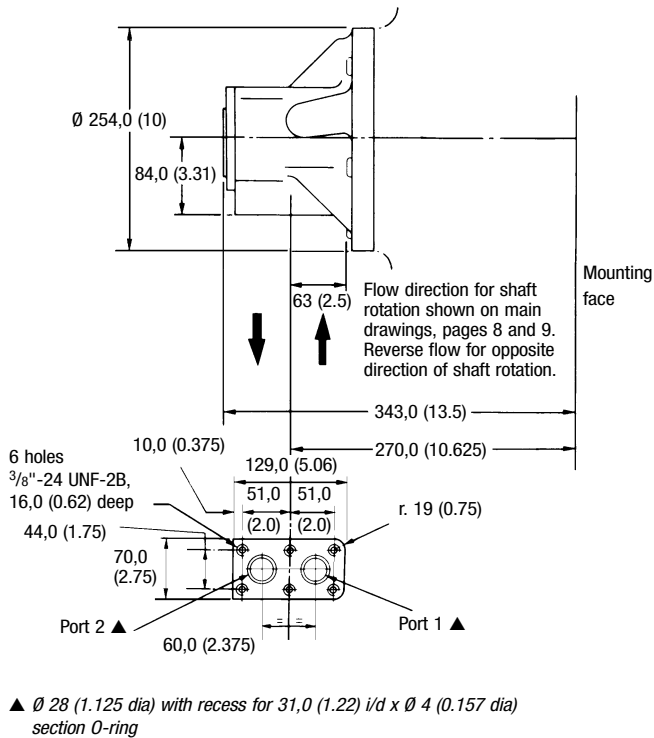
Model Tapping size  
code **4**

F2  $\frac{3}{8}$ "-16 UNC-2B x 22,0 (0.87) deep

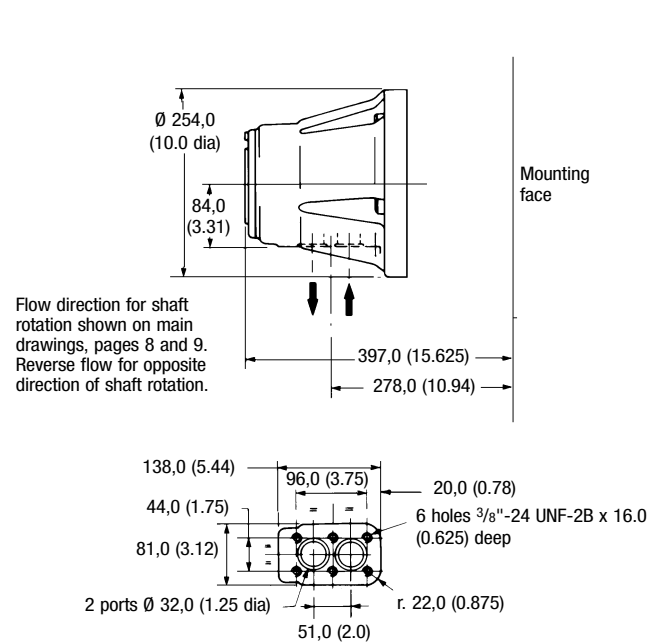
FM2 M10 x P1.5 x 22,0 (0.87) deep

$\varnothing 0,15$  (0.006)

### 3" VALVE HOUSING WITH 6-BOLT FLANGE, "S03" IN MODEL CODE POSITION 4

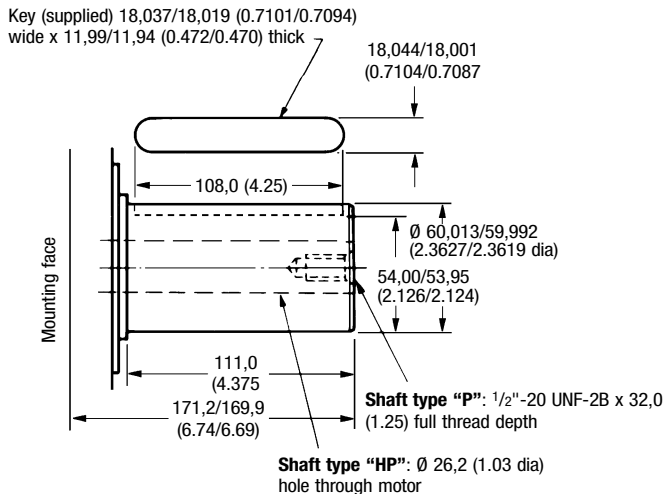


### 4" VALVE HOUSING WITH 6-BOLT FLANGE, "S04" IN MODEL CODE POSITION 4



### SHAFT TYPES "P" AND "HP", MODEL CODE POSITION 3

Cylindrical shaft with key

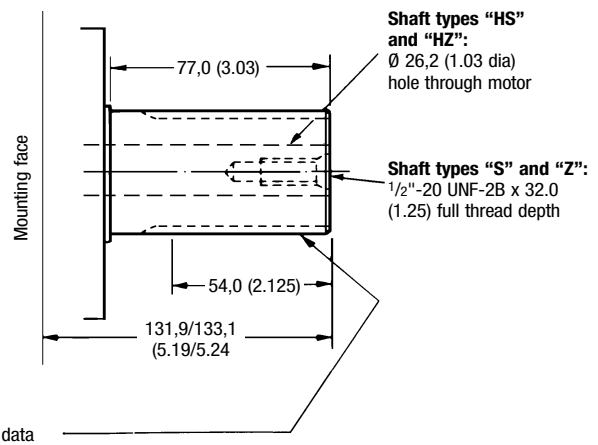


### SHAFT TYPES "S" AND "HS", MODEL CODE POSITION 3

Cylindrical shaft with 14 splines to BS 3550-1963

### SHAFT TYPES "Z" AND "HZ", MODEL CODE POSITION 3

Cylindrical shaft with splines to DIN 5480



For shaft types "S" and "HS" to BS 3550/SAE J498c (ANSI B92.1 1970 class 5)

Flat root side fit, class 1

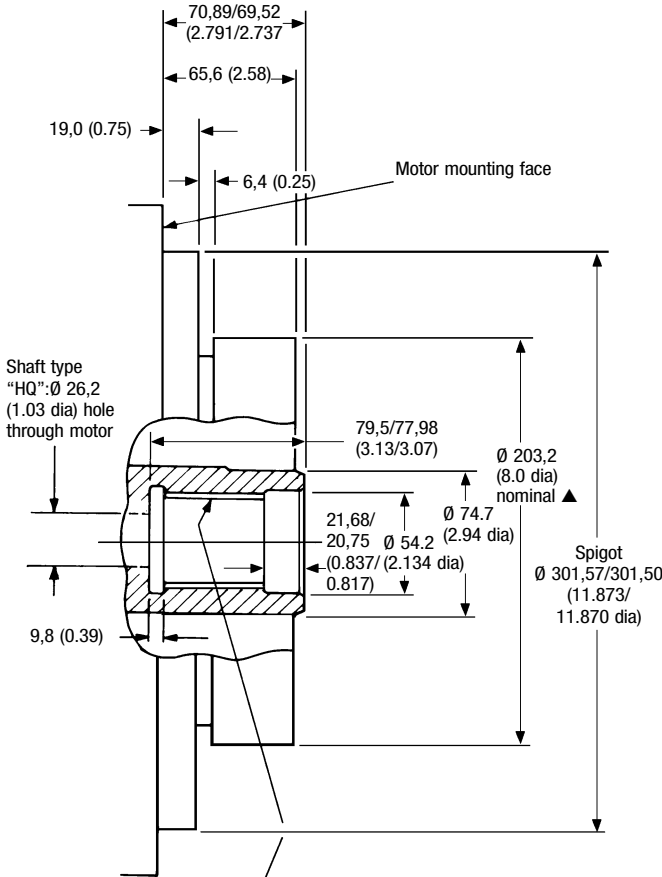
|                    |                               |
|--------------------|-------------------------------|
| Pressure angle     | 30°                           |
| Number of teeth    | 14                            |
| Pitch              | 6/12                          |
| Major diameter     | 62,553/62,425 (2.4627/2.4577) |
| Form diameter      | 55,052 (2.1674)               |
| Minor diameter     | 54,084/53,525 (2.1293/2.1073) |
| Pin diameter       | 8,128 (0.3200)                |
| Diameter over pins | 71,593/71,544 (2.8186/2.8167) |

For shaft types "Z" and "HZ"  
DIN 5480, W70 x 3 x 22 x 7h

### SHAFT TYPES "Q" AND "HQ", MODEL CODE POSITION 3

Female shaft with 24 splines to BS 3550

Note: The "Q" and "HQ" shafts will transmit the maximum torque given on page 4. However, customers should ensure that their own mating shaft will transmit the torque required in their application.



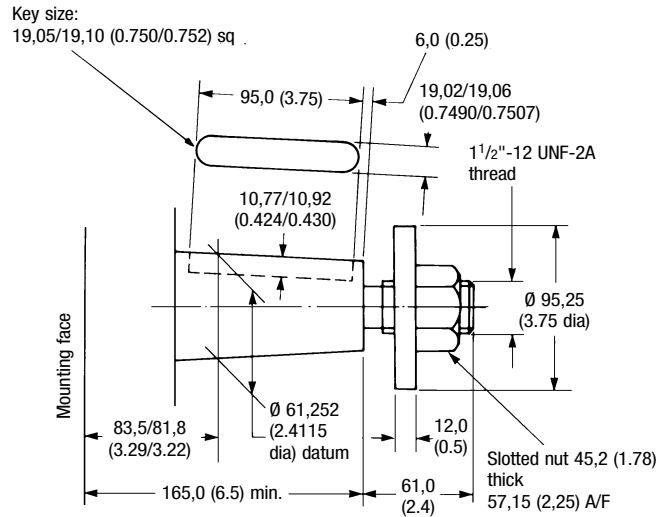
#### Spline data

|                              |                               |
|------------------------------|-------------------------------|
| To BS 3550                   |                               |
| Flat root side fit, modified |                               |
| Pressure angle               | 30°                           |
| Number of teeth              | 24                            |
| Pitch                        | 12/24                         |
| Major diameter               | 53,246/52,916 (2.0963/2.0833) |
| Minor diameter               | 48,811/48,684 (1.9217/1.9167) |
| Pin diameter                 | 3,658 (0.1440)                |
| Pin flattened to             | 3,560 (0.1400)                |
| Diameter between pins        | 45,626/45,550 (1.7963/1.7933) |

▲ Use mounting face spigot for motor location

### SHAFT TYPE "T", MODEL CODE POSITION 3

Long taper, with key



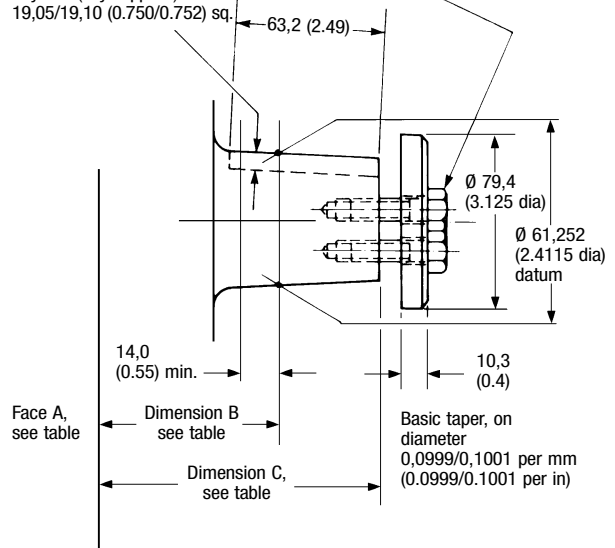
Basic taper, on diameter  
0,0999/0,1001 per mm  
(0.0999/0.1001 per in)

### SHAFT TYPE "X", MODEL CODE POSITION 3

Short taper, with key

Clamp plate and 3 bolts supplied  
Bolts M12 x P1.75 x 30,0 (1.18) long; hex.  
19,0 (0.75) A/F  
(3 holes in shaft end equi-spaced on 30,0  
(1.18) pcd, tapped to 23,0 (0.9) min.  
full thread depth)

Keyway size:  
19,02/19,05 (0.749/0.750) wide x  
10,77/10,92 (0.424/0.430) deep  
Key size (key supplied):  
19,05/19,10 (0.750/0.752) sq.



For front-mount models:

|        |   |                           |
|--------|---|---------------------------|
| Face A | = | Front mounting face       |
| Dim. B | = | 83,31/81,43 (3.280/3.206) |
| Dim. C | = | 129,4 (5.09)              |

For dual-mount models:

|        |   |                            |
|--------|---|----------------------------|
| Face A | = | Rear mounting face         |
| Dim. B | = | 250,8/248,92 (9.874/9.800) |
| Dim. C | = | 297,0 (11.69)              |

---

Presented by:



**Kawasaki Motors Corp., U.S.A.**  
Precision Machinery Division

5080 36th Street S.E., Grand Rapids, MI 49512 • USA  
(616) 949-6500 • Fax (616) 975-3103

[www.kawasakipmd.com](http://www.kawasakipmd.com)



**Staffa hydraulic motors are  
manufactured to the highest  
quality standards in a Kawasaki  
ISO 9001 certified facility.  
Certification No. 891150**