

## Parameters

| Electric Parameters:      |                            |
|---------------------------|----------------------------|
| Working power             | DC12~30V                   |
| BUS power consumption     | 40mA/DC24V                 |
| RJ45 connection           | UDP/IP network interface   |
| BUS connector             | HDL Buspro, INNER BUS      |
| Environmental Conditions: |                            |
| Working temperature       | 0°C~45°C                   |
| Working relative humidity | Up to 90%                  |
| Storage temperature       | -20°C~+60°C                |
| Storage relative humidity | Up to 93%                  |
| Approved:                 |                            |
| CE                        |                            |
| RoHS                      |                            |
| Production Information:   |                            |
| Dimensions                | 72×90×66 (mm)              |
| Weight                    | 142.5g                     |
| Housing material          | Nylon, PC                  |
| Installation              | 35mm DIN rail installation |
| Protection degree         | IP20                       |

## Installation Step

- Mount the device on the DIN rail inside the DB box
- Mark up each channel.
- Connect the load and HDL Buspro, INNER BUS, check if there is any short circuit in output connection cable.
- Check the connection, avoid any mistakes.
- Mark up each output connection cable, separate high power and low power cable.

## HDL Buspro Definition for Cable

| HDL Buspro | HDL Buspro/KNX | CAT5/CAT5E               |
|------------|----------------|--------------------------|
| COM        | Black          | Brown White/Orange White |
| DATA-      | White          | Blue White/Green White   |
| DATA+      | Yellow         | Blue/Green               |
| DC24V      | Red            | Brown/Orange             |

## Overview



**SB-DN-48HNET** Hotel room control host which is the core of the hotel system, it can work in conjunction with mix controller. Hotel control host has 48 channels, it must be set from hotel management system. Hotel management software can set the parameters for system, control and monitor doorbell panel, curtain, lights, fan and A/C.

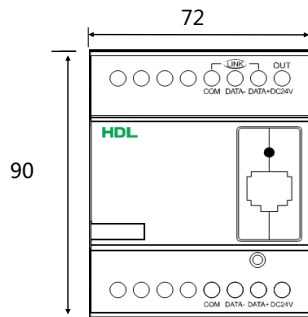
## Functions

- 48 channels control, each channel has parameter for lower limit, higher limit, the maximum limit.
- There are totally 99 scenes, each scene's running time is 0-250second.
- Each channel has protection delay time (0-60 mins).
- Each channel can delay the turn ON time (0-250 Second).
- It can run the scene according to the status of card master.
- Monitors and controls A/C, curtain, lighting, room status, service from monitor software.
- There is an RJ45 port on the hotel host, it can connect to each room, reception or manager center. With hotel manage software, this module can integrate with third party management software.

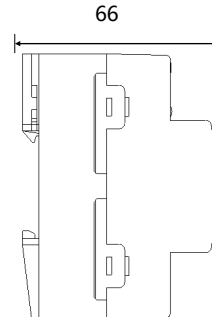
## Important Notes

- Installation - DB Box
- Bus cable - CAT5E or HDL Buspro/KNX cable, 0.8mm single-core copper cable.
- Bus Connection - Series connection (hand-in-hand)
- RJ45 cable - CAT5E.
- Make sure the IP address and IP MAC address are unique in IP network.

## Dimensions and Wiring

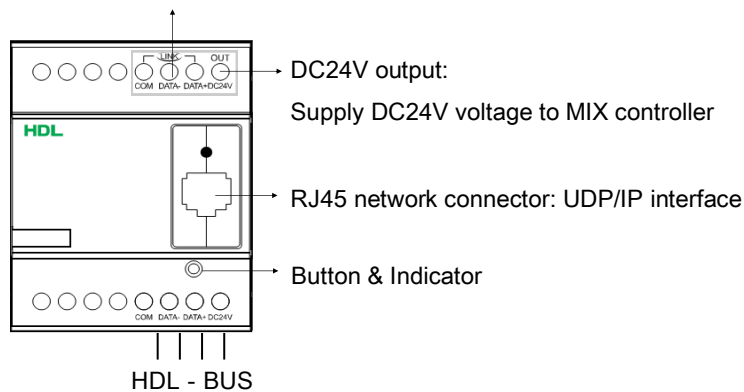


Front View



Side View

### INNER BUS for HIX18 module connection



#### Button and Indicator:

Flickers in green when the module is working properly.

Keep pressing for 10S, it turns to red, the module will restored to default setting from factory.

#### Default setting parameters:

IP: 192.168.10.250

ROUTER IP: 192.168.10.1

Port: 6000

## Safety attention

- The screw down strength should not exceed 0.4Nm
- Installation: Inside DB box.
- Do not make wrong connection on Bus interface, it will damage the Bus interface of this module.
- Do not get AC power into Bus wire , it will damage all devices in the system.
- Ensure good ventilation.
- Avoid contact with liquids and corrosive gases.