

Features

- The multi-function motion sensor include Movement detection, Temperature detection, LUX detection, dry contact detection and external telegram detection.
- The multi-function motion sensor have 5 logic function blocks and can be set the logical relation AND/OR, Each with ten output objects. The work mode include single mode and Master & Slave mode.
- The multi-function motion sensor can report movement status, temperature, Lux or dry contacts status to KNX system.
- The sensing range for detecting people sitting and walking are different sizes. The recommended assembly height is 2 m – 3m. The sensitivity of the detector reduces as the assembly height increases.
- It can controls for Switch control, Absolute dimming control, Shutter control, Alarm control, Percentage control , Sequence control, Scene control, String control, Logic combination control.

Important Notes

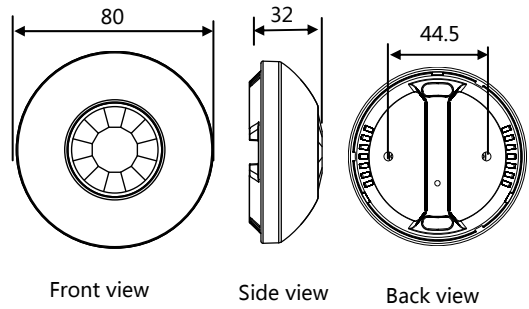
- **Special Programming** – This device is designed for professional KNX installation. It can only be programmed by ETS software.
- **Cable Connections** – Do not get wrong connection for Black and Red wires
- **Mounting Location** – Installed indoors
- **Bus Voltage** - The input of voltage must be between 21-30VDC

Product Specifications

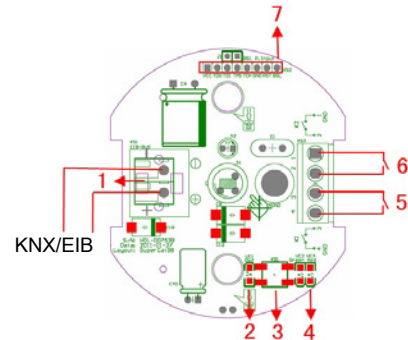
- **Working Voltage** : 21-30 V DC
- **Communication** :KNX/EIB
- **Dynamic Current** : < 15 mA
- **Static Current** : < 5 mA
- **KNX Terminals:** KNX Bus Terminal – Wago 243 (Red /Grey) 0.6 – 0.8mm Diameter Single Core
- **PIR Sensing range in diameter** : 6m (install height-3m)
- **Compliance:** CE, KNX,
- **Dimensions:** Φ80mm×32mm
- **Housing Material:** ABS and PC.
- **Working Temperature** : -5°C~45°C
- **Working Relative Humidity** : 10%~98%
- **Storage Temperature** : -40°C~55°C
- **Storage Relative Humidity** : 10%~98%
- **IP class:** IP20

Type / wiring

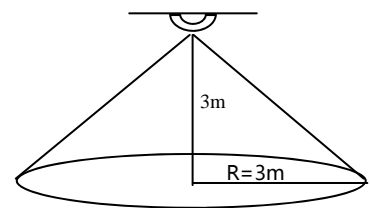
M/HS05.1



Front view Side view Back view



- 1 KNX/EIB interface
- 2 Programming LED (VE1): For indicating normal mode (LED Off) or addressing mode (LED On); it is automatically Off once the physical address has been transferred.
- 3 Programming button
- 4 Working LED (VE3): For indicating working mode (LED On) or idle mode (LED Off)
- 5 Dry contact 1
- 6 Dry contact 2
- 7 Update



PIR Sensing range



WARNING

- Do not get wrong connection on positive and negative for the bus cable
- Avoid the rain or water into module, it will damage this devices
- Do not get AC220V voltage into Bus wire , it will damage all of devices in system