

Description



- Analogue time switch
- 1 channel
- Daily program
- With power reserve (NiMH rechargeable battery)
- 96 switching segments
- Quartz controlled
- Shortest switching time: 15 minutes
- Clock hands for time display and in addition 12/24 hour recognition
- Simple summer/winter time correction
 - Time can be changed clockwise or anti-clockwise
- DuoFix spring terminals
 - For 2 conductors each
 - Wire or strand (with or without wire end sleeve)
 - Wire diameter: 0.5 - 2.5 mm²
 - Button for releasing plug-in connection
- Switching preselection
- Manual switch with 3 positions: Continuous ON/AUTO/continuous OFF
- Switching status display

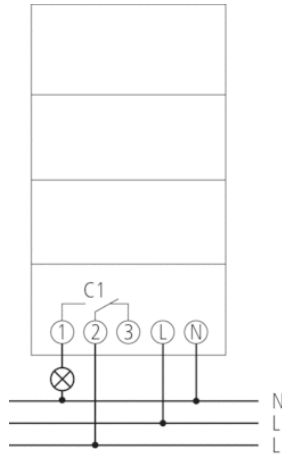
کالای برق پادنا

۳۳۹۰۵۳۸۲-۳۳۹۹۳۹۴۷

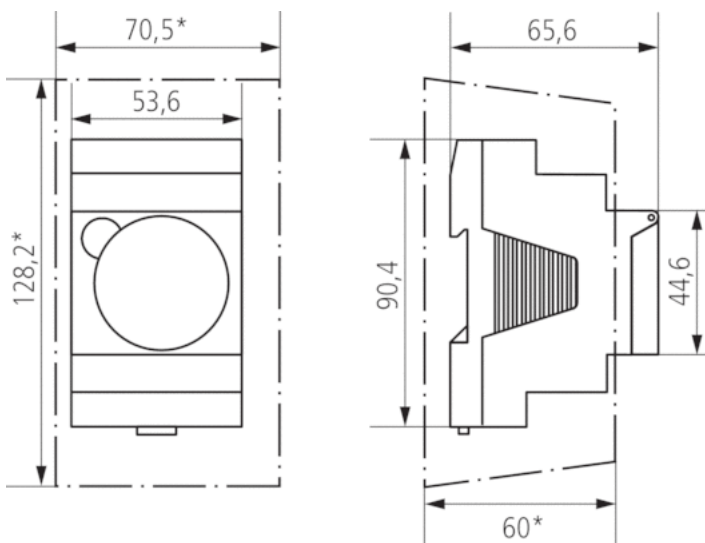
Technical data

Operating voltage	110 – 230 V AC
Frequency	50 – 60 Hz
Number of channels	1
Width	3 modules
Installation type	DIN rail
Type of connection	DuoFix spring terminals
Drive	Quartz-controlled stepper motor
Program	Daily program
Power reserve	200 hours approx. 100 hours at 110 V
Switching capacity at 250 V AC, cos φ = 1	16 A
Switching capacity at 250 V AC, cos φ = 0,6	4 A
Incandescent/halogen lamp load	1100 W
Shortest switching times	15 min
Programmable every	15 min
Time accuracy at 25 °C	≤ ± 1 s/day (quartz)
Type of contact	Changeover contact
Switching output	Potential-free and phase-independent
Number of switching segments	96
Stand-by consumption	~0,5 W
Capacity loss max.	1,3 W
Test approval	VDE
Housing and insulation material	High-temperature resistant, self-extinguishing thermoplastic
Type of protection	IP 20
Protection class	II according to EN 60 730-1
Ambient temperature	-20 °C ... +55 °C

Connection example



Scale drawings



Accessories

Wall mounting kit 52,5 mm

- Article number: 9070050
Details ▶ www.theben.de



Front panel kit

- Article number: 9070001
Details ▶ www.theben.de

