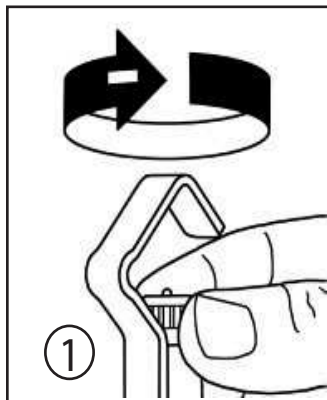
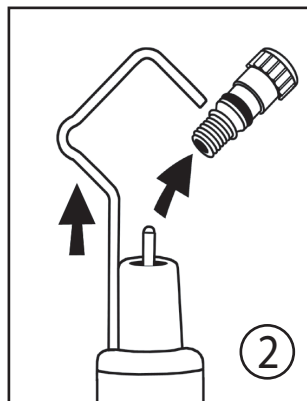


Replacement Blade CST-7915 For Round Cable Stripper

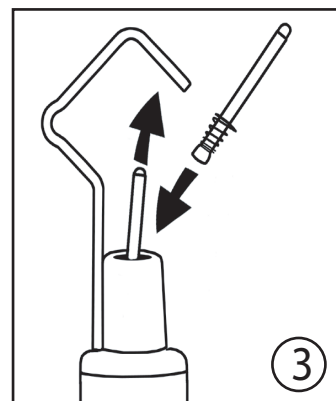
INSTRUCTIONS:



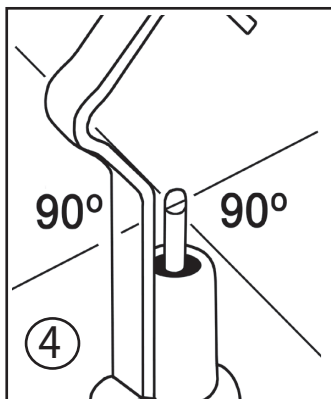
1) Twist the blade holder counter clockwise



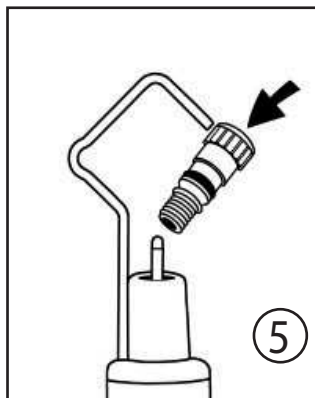
2) Remove the blade holder



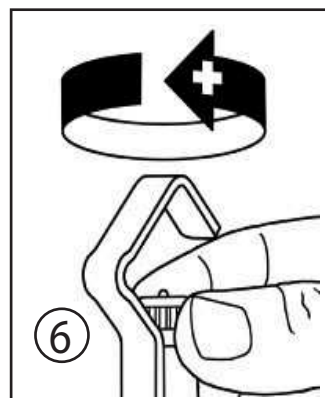
3) Remove the used blade



4) Insert the new blade 90° to the cable retainer



5) Insert the blade holder



6) Twist the blade holder clock-wise to secure the blade