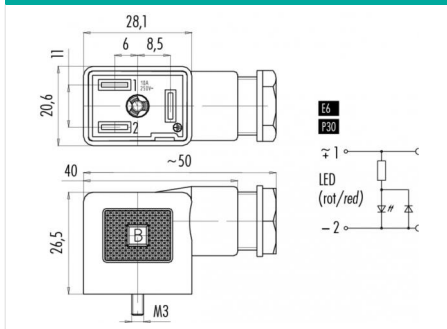


Product description	Contacts: 2+PE, female connector (panel mount), industrial, high-voltage protected, VDE and ETS approval, cable outlet 6 - 8 mm, circuit E6 24V
Area	Model B Series 220/B
Order number	43 1834 135 03

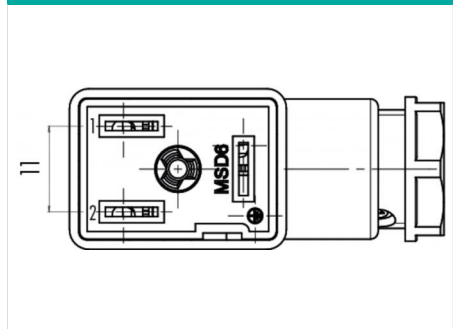
Illustration



Scale drawing



Contact arrangement



You can find the component part drawing on the next page.

Technical data

General values

Connector design	Gerätesteckdose
Connector locking system	Zentralschraube
Termination	schrauben
Wire gauge (mm)	min. 0,34 mm ² , max. 1,5 mm ²
Wire gauge (AWG)	min. AWG 22, max. AWG 16
Cable outlet	6 – 8 mm
Upper limit temperature	85 °C
Lower limit temperature	-20 °C

Cable data

Approval 1	VDE
Approval 2	ESTI+

Electrical values

Rated voltage	24 V
Rated impulse voltage	800 V
Pollution degree	3
Overvoltage category	III
Insulating material group	III
Rated current (40 °C)	10 A
Volume resistivity	≤ 15 mΩ
EMC compliance	nicht geschirmt
Degree of protection	IP65
Mechanical operation	> 50 Steckzyklen

Material

Contact material	CuSn (Bronze)
Contact plating	Ni (Nickel)
Contact body material	PA (UL 94 HB)

Product description

Contacts: 2+PE, female connector (panel mount), industrial, high-voltage protected, VDE and ETS approval, cable outlet 6 - 8 mm, circuit E6 24V

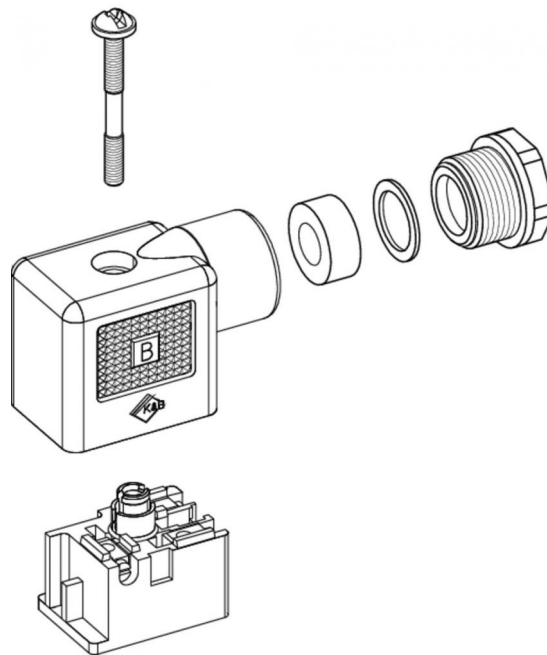
Area

Model B Series 220/B

Order number

43 1834 135 03

Component part drawing



Product description	Contacts: 2+PE, female connector (panel mount), industrial, high-voltage protected, VDE and ETS approval, cable outlet 6 - 8 mm, circuit E6 24V
Area	Model B Series 220/B
Order number	43 1834 135 03

Sicherheitshinweise

2. The connectors are designed for use in plant, control system and electrical equipment. The end user is responsible for checking whether the connectors are suitable for use in other applications.
6. Connectors with degree of protection IP 67 and IP 68 are not suitable for use under water. When used outdoors, the connectors must be separately protected against corrosion. For further information about IP degrees of protection refer to 'Technical support' in the Download Centre.