

Product description **Contacts: 2, female panel mount connector, solder, 2 - 8 contacts, silver plated contacts**

Area **M16 IP40 Series 581/ 680/ 682**  
Order number **09 0304 00 02**

Illustration	Scale drawing	Contact arrangement									
		<table border="1" style="margin-left: auto; margin-right: auto;"> <thead> <tr> <th></th> <th>X</th> <th>Y</th> </tr> </thead> <tbody> <tr> <td>1</td> <td>-3,50</td> <td>0,00</td> </tr> <tr> <td>2</td> <td>3,50</td> <td>0,00</td> </tr> </tbody> </table>		X	Y	1	-3,50	0,00	2	3,50	0,00
	X	Y									
1	-3,50	0,00									
2	3,50	0,00									

You can find the assembly instructions on the next page.

## Technical data

### General values

Connector design	female panel mount connector
Connector locking system	bolted
Termination	solder
Wire gauge (mm)	0,75 mm <sup>2</sup>
Wire gauge (AWG)	20
Upper limit temperature	85 °C
Lower limit temperature	-40 °C

### Electrical values

Rated voltage	250 V
Rated impulse voltage	1500 V
Pollution degree	1
Overvoltage category	I
Insulating material group	III
Rated current (40 °C)	7 A
Volume resistivity	≤ 5 mΩ
EMC compliance	Shielding is not possible
Degree of protection	IP40
Mechanical operation	> 500 Mating cycles

### Material

Contact material	CuSn (Bronze)
Contact plating	Ag (silver)
Contact body material	PBT (UL 94 V-0)

Product description

Contacts: 2, female panel mount connector, solder, 2 - 8 contacts, silver plated contacts

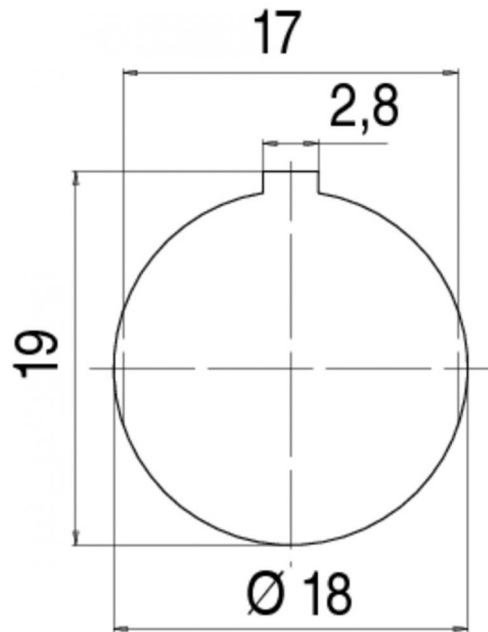
Area

M16 IP40 Series 581/ 680/ 682

Order number

09 0304 00 02

Assembly instructions / Panel cut-out



Product description	<b>Contacts: 2, female panel mount connector, solder, 2 - 8 contacts, silver plated contacts</b>
Area	<b>M16 IP40 Series 581/ 680/ 682</b>
Order number	<b>09 0304 00 02</b>

## Sicherheitshinweise

1. The connector must not be connected or separated under load. Non-observance and incorrect use can result in personal injury.
2. The connectors are designed for use in plant, control system and electrical equipment. The end user is responsible for checking whether the connectors are suitable for use in other applications.
3. To prevent the connector being opened unintentionally when used in electrical circuits containing hazardous life parts, the thread between the housing and the connector head must be secured using a suitable cyanoacrylate adhesive. This does not apply to connectors used in SELV and PELV circuits according to IEC 61140 (EN 61140, VDE 0140-1).
7. The connector is not suitable for mains voltages. Please observe the pollution degrees and the overvoltage category. For further information refer to 'Technical support' in the Download Centre.