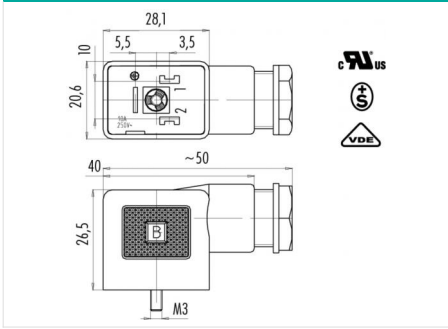


Product description	Contacts: 2+PE, cable outlet: 6 - 8 mm², female connector (panel mount) DIN EN 175301-803, UL, VDE and ETS approval, (limit temperature value with seal 16-8100-000)
Area	Model B Series 220/B
Order number	43 1800 000 03

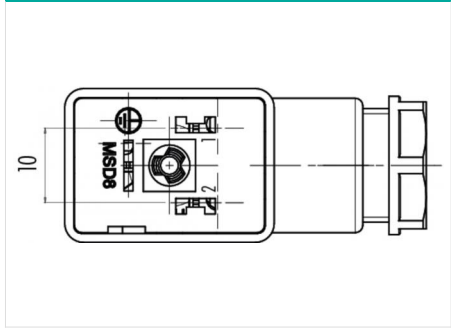
Illustration



Scale drawing



Contact arrangement



You can find the component part drawing on the next page.

Technical data

General values

Connector design	Gerätesteckdose
Connector locking system	Zentralschraube
Termination	schrauben
Wire gauge (mm)	min. 0,34 mm ² , max. 1,5 mm ²
Wire gauge (AWG)	min. AWG 22, max. AWG 16
Cable outlet	6 – 8 mm
Upper limit temperature	120 °C
Lower limit temperature	-20 °C

Cable data

Approval 1	UL
Approval 2	ESTI+
Approval 3	VDE

Electrical values

Rated voltage	250 V
Rated impulse voltage	4000 V
Pollution degree	3
Overvoltage category	III
Insulating material group	III
Rated current (40 °C)	10 A
Volume resistivity	≤ 15 mΩ
EMC compliance	nicht geschirmt
Degree of protection	IP65
Mechanical operation	> 50 Steckzyklen

Material

Contact material	CuSn (Bronze)
Contact plating	Ni (Nickel)
Contact body material	PA (UL 94 HB)

Product description

Contacts: 2+PE, cable outlet: 6 - 8 mm², female connector (panel mount) DIN EN 175301-803, UL, VDE and ETS approval, (limit temperature value with seal 16-8100-000)

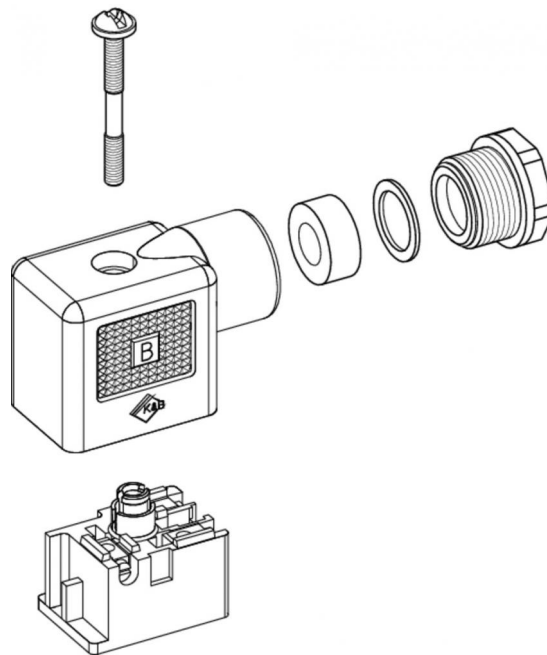
Area

Model B Series 220/B

Order number

43 1800 000 03

Component part drawing



Product description	Contacts: 2+PE, cable outlet: 6 - 8 mm², female connector (panel mount) DIN EN 175301-803, UL, VDE and ETS approval, (limit temperature value with seal 16-8100-000)
Area	Model B Series 220/B
Order number	43 1800 000 03

Sicherheitshinweise

1. The connector must not be connected or separated under load. Non-observance and incorrect use can result in personal injury.
2. The connectors are designed for use in plant, control system and electrical equipment. The end user is responsible for checking whether the connectors are suitable for use in other applications.
4. Connectors used in electrical circuits containing hazardous life parts must only be assembled and used by or under the supervision of persons with the requisite electrotechnical training, taking the applicable regulations and standards into account.
6. Connectors with degree of protection IP 67 and IP 68 are not suitable for use under water. When used outdoors, the connectors must be separately protected against corrosion. For further information about IP degrees of protection refer to 'Technical support' in the Download Centre.