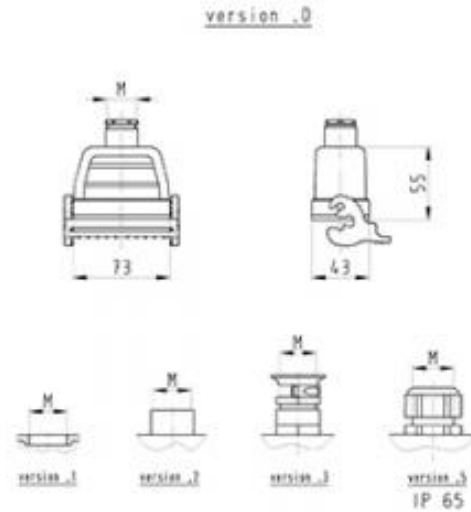


Datasheet

Art.No. 71.372.1035.1

Hood BAS GOT GL 10 M20 A1

revos BASIC 500V size 10 hood for cable-to-cable couplings with threaded collar M20, top cable entry, single locking lever



Art.No.	71.372.1035.1
EAN	4015573627413
Order unit	1 pieces

Approvals



Technical data

General

Housing material	Aluminium
Colour	Grey
Surface	With powder coating
Degree of protection (IP)	Other
UV resistant	Yes
Inflammability class of insulation material acc. with UL94	Other
Operating temperature range min.	-40 °C
Operating temperature range max.	120 °C

Model

DIN-size	10
Model	Cable coupler
Locking mechanism	Single locking lever
Cable entry	Above
Type of cable	Thread
With cable screw gland	No
Thread size M	20
Hinged lid	No
EMC-version	No

Classification

ECLASS 8.1	27440202: Housing for industrial connectors
ETIM 6.0	: EC000437

ETIM 5.0	EC000437: Housing for industrial connectors
ETIM 4.0	EC000437: Housing for industrial connectors
ETIM 3.0	EC000437: Housing for industry plug connectors

Drawings

Dimensions:
 Main view: 73 mm height, 89 mm width, M mounting hole.
 Side view: 55 mm height, 43 mm width, R4.6 fillet radius.

Geometric Tolerances:
 - Flatness (M) on the top surface.
 - Parallelism (P) on the side surface.
 - Parallelism (P) on the bottom surface.

Material: Steel
 Surface treatment: Nickel-plated

Ordering Information:
 Order number: 71.372.1035.0
 Part name: Gehäuseoberteil

Varianten/ Variants:

Order number	Type	Description
71.372.1035.5	M25 A5	Kabeilver schraubung (KV), IP65 /Cable gland (CB), IP65
71.372.1035.4	M25 A4	KV mit Zugentlastung, IP54 /CG with strain relief, IP54
71.372.1035.3	M25 A3	KV mit Zugentlastung und Kröschenschutz, IP54 /CG with strain relief and hood support, IP54
71.372.1035.2	M25 A2	Zwischenstück /Bushing
71.372.1035.1	M25 A1	Gewindebohrung /Thread hole
71.372.1035.0	M25 A0	Kabeilver schraubung (KV), IP54 /Cable gland (CB), IP54

Ordering Information:
 Bestellnummer / Order number: 71.372.1035.0
 Typ / Type: Gehäuseoberteil / Housing part

Further Data: siehe KATALOG oder eKatalog. Additional data see CATALOG or eCatalog.
www.wieland-electric.com
shop.wieland-electric.com

General Information:
 - Drawing size: 100 mm x 100 mm
 - Scale: 1:1
 - Material: Steel
 - Surface treatment: Nickel-plated
 - Part name: Gehäuseoberteil
 - Order number: 71.372.1035.0
 - Part number: 13K

Wieland Logo:
 WIELAND
 Industrietechnik
 Industrietechnik

GEHAUSEOBERTEIL
 Baugröße 10-Kabelabgang oben-P00/M03
 Hood size 10-cable outlet top-P00/M03