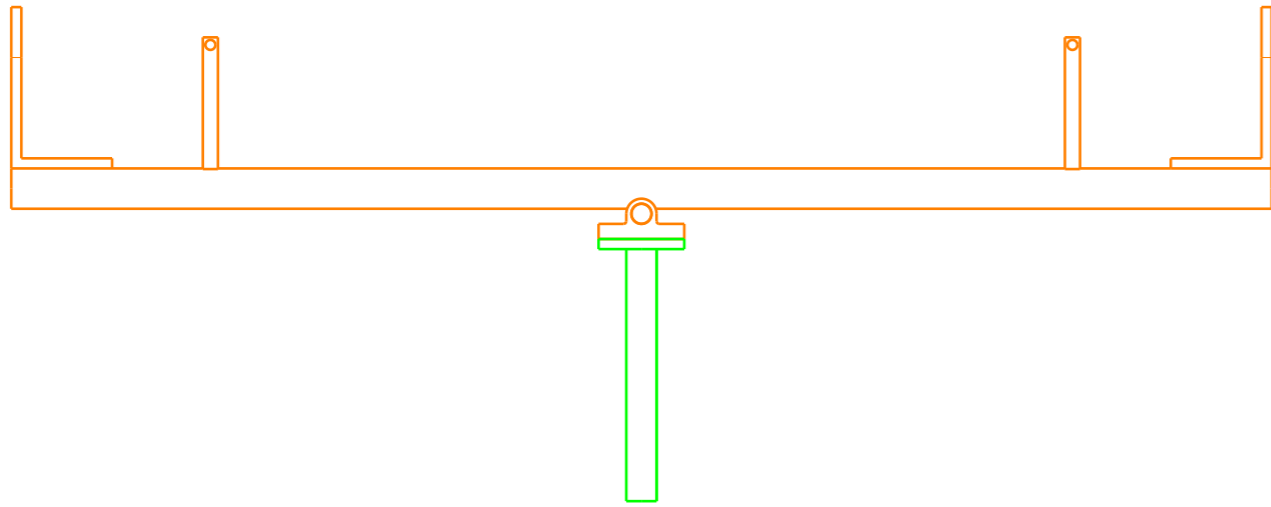
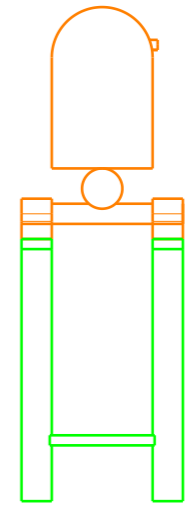


H G F E D C B A

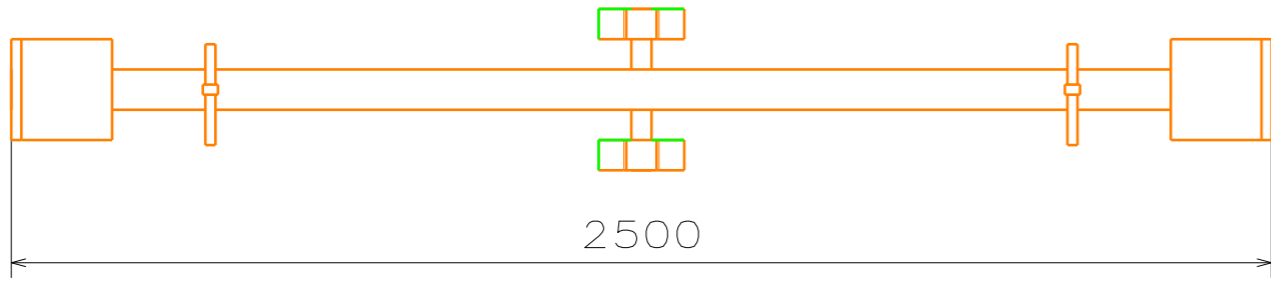
4



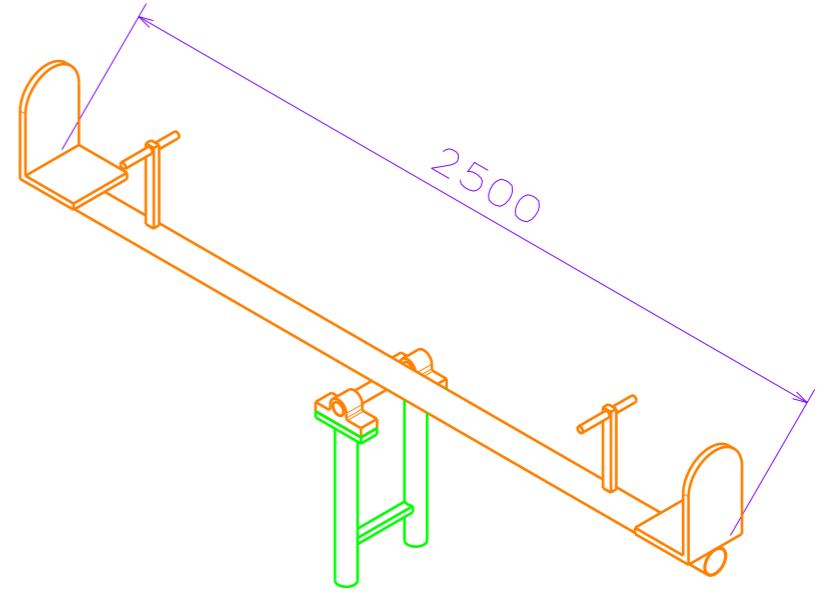
4



3



3



2

2

1

1

DESIGNED BY: <b>h:khaleghi</b>		Ply Name	<b>1</b>	I	-
CHECKED BY: <b>mr:moharampor</b>		Material	<b>metal</b>	H	-
SIZE <b>A3</b>		company	<b>azarpashpishro</b>	G	-
SCALE <b>1:10</b>		Thickness	<b>2mm</b>	F	-
WEIGHT (kg)		volume	<b>Cantharis</b>	E	-
				D	-
				C	-
				B	-
				A	-

H G B A