



### ● Product specification (design and specification subject to change without notice)

#### ■ DISPLAY PANEL

Screen Size (Diagonal)	55-inch (1387 mm)
Panel type	IPS / Direct-LED
Aspect ratio	16:9
Effective Display Area (W x H)	1209 x 680 mm
Number of pixels (H x V)	1920 x 1080 pixels
Brightness	500 cd/m <sup>2</sup> (typ.)
Contrast Ratio	1400:1
Dynamic Contrast	500000:1
Response Time	12ms (G to G)
Viewing Angle (Horizontal / Vertical)	178 / 178° (CR ≥ 10)
Panel Surface Treatment	Anti glare (Haze 10%)
Panel Life Time*1	approx. 60000 hours (typ.)

\*1 When the panel lifetime is at 50% of the brightness under the condition of 25 degrees Celsius (+/- 2 degrees Celsius).

#### ■ CONNECTION TERMINAL

VIDEO IN	BNC x 1 (Shared with COMPONENT Y/G)	BNC 1.0 Vp-p (75 Ω)
HDMI IN	HDMI Type A Connector x 2	Linear PCM (Sampling frequencies : 48 kHz/44.1 kHz/32 kHz)
COMPONENT/RGB IN	BNC x 1 (Shared with VIDEO IN)	Y/G : BNC 1.0 Vp-p (75 Ω) with sync P <sub>B</sub> /C <sub>B</sub> /B : BNC 0.7 Vp-p (75 Ω) without sync P <sub>R</sub> /C <sub>R</sub> /R : BNC 0.7 Vp-p (75 Ω) without sync
DVI-D IN	DVI-D 24-pin x 1	Compliance with DVI Revision 1.0 Compatible with HDCP 1.1
DVI-D OUT	DVI-D 24-pin x 1	Compliance with DVI Revision 1.0 Compatible with HDCP 1.1
PC IN	Mini D-Sub 15-pin (Compatible with DDC2B) x 1 (Female)	Y/G : 1.0 Vp-p (75 Ω) with sync : 0.7 Vp-p (75 Ω) without sync P <sub>B</sub> /C <sub>B</sub> /B : 0.7 Vp-p (75 Ω) without sync P <sub>R</sub> /C <sub>R</sub> /R : 0.7 Vp-p (75 Ω) without sync HD/VD : 1.0 - 5.0 Vp-p (high impedance)
AUDIO IN 1	Stereo Mini Jack (M3) x 1 (Shared with DVI-D IN and PC IN)	0.5 Vrms
AUDIO IN 2	Stereo Mini Jack (M3) x 1 (Shared with COMPONENT / RGB IN and VIDEO IN)	0.5 Vrms
AUDIO OUT	Stereo Mini Jack (M3) x 1 Variable (-∞ - 0 dB) (1 kHz 0 dB Input, 10 k Ω Load)	0.5 Vrms
SERIAL IN/OUT	D-sub 9pin x 1 / x 1, RS-232C Compatible	
LAN IN	RJ45 x 1 10BASE-T/100BASE-TX, Compatible with PLink	
IR IN / OUT	Stereo Mini Jack (M3) x 1 / x 1	
USB	Type A USB connector x 1 DC 5 V/1A (USB 3.0 is not supported.)	

#### ■ AUDIO

EXT. SP	8 Ω, 20 W [10 W + 10 W] (10% THD)
---------	-----------------------------------

#### ■ ELECTRICAL

Power Requirements	220-240 V AC 50/60 Hz
Power Consumption	210 W
On Mode Average Power Consumption*	108 W
Power Off Condition	approx. 0 W
Stand-by Condition	approx. 0.5 W
Apparent power	230 VA

\*Based on IEC 62087 Ed.2 measurement method

#### ■ MECHANICAL

Dimensions (W x H x D)	1213 x 684 x 95 mm
Weight	approx. 30 kg
Bezel Color	Black
Bezel Width	L/T: 2.25 mm, R / B: 1.25 mm
Carton Dimensions (W x H x D)	1544 x 973 x 301 mm
Gross Weight	approx. 40 kg
Cabinet Material / Color	Metal / Black
Pitch for Wall-Hanging	VESA Compliant 400 x 400 mm (Installed by: M6 screws / Screw hole depth 16.3 mm)

#### ■ INSTALLATION

Orientation	Landscape / Portrait
Tilting Angle	Vertical only

\*Please contact your sales representative with regard to the tilt angle before installation.

#### ■ ENVIRONMENTAL

Operating Environment	Temperature	: 0°C to 40°C *1 : 0°C to 35°C *2
	Humidity	: 10% to 90% (No condensation)
	Altitude	: 0 to 2800 m
Storage Environment	Temperature	: -20°C to 60°C
	Humidity	: 10% to 90% (No condensation)

\*1 : for up to 1400 m altitude \*2 : for between 1400 m and 2800 m altitude

Depending on the temperature or humidity conditions, uneven brightness may be observed. This is not a malfunction.

• This unevenness will disappear while applying current continuously. If not, consult the distributor.

**MAIN FEATURE**

Daisy Chain	DVI-D*1, RS-232C, IR
Multi Screen*2	Yes (N x M, up to 10 x 10)
Failover/Failback	Yes
1:1 Pixel Mode	Yes
Automatic Picture Position	Yes
Screen Saver	Yes
PC/DVI-D/HDMI Power Management	Yes
Input Lock	Yes
Button Lock	Yes
Remocon User level	Yes
Power ON Delay	Yes
Bezel adjustment	Yes
MENU Position Control	Yes
Function Group Setting	Yes
User Memory Function	Yes
ID Auto Setting	Yes (RS232C Daisy chain connection only)
USB Media Player	Yes
Operating Time*3	24h/7d
Color Calibration	Done
Early Warning Software compatible	Yes

\*1:8 sets with HDCP, 10 sets without HDCP

\*2:USB input maximum 2x2

\*3:In case of running for a long time, the moving image is recommended to be displayed. If you display a still picture for an extended period, the image retention might remain on the screen. However, image retention can gradually disappear by displaying a moving images.

**STANDARD (CERTIFICATIONS)**

SAFETY REGULATIONS	IEC60950-1
RADIATION REGULATIONS	EN55022:2010+AC:2011 Class A EN55024:2010 EN61000-3-2:2014 class D EN61000-3-3:2013 AS/NZS CISPR22:2009+A1:2010 RCM Mark

**REMOTE CONTROL TRANSMITTER**

Power Requirements	DC 3 V (2 x AAA Size batteries)
Weight	approx. 102 g including batteries
Dimensions (W x H x D)	48 x 145 x 27 mm

**INCLUDED ACCESSORIES**

- AC cord (2.0 m)
- Remote Control
- Batteries (AAA size) x 2
- Clamper x 3
- CD-ROM / User Manual
- Operating Instruction Book
- DVI-D Cable
- IR Cable
- External IR Receiver

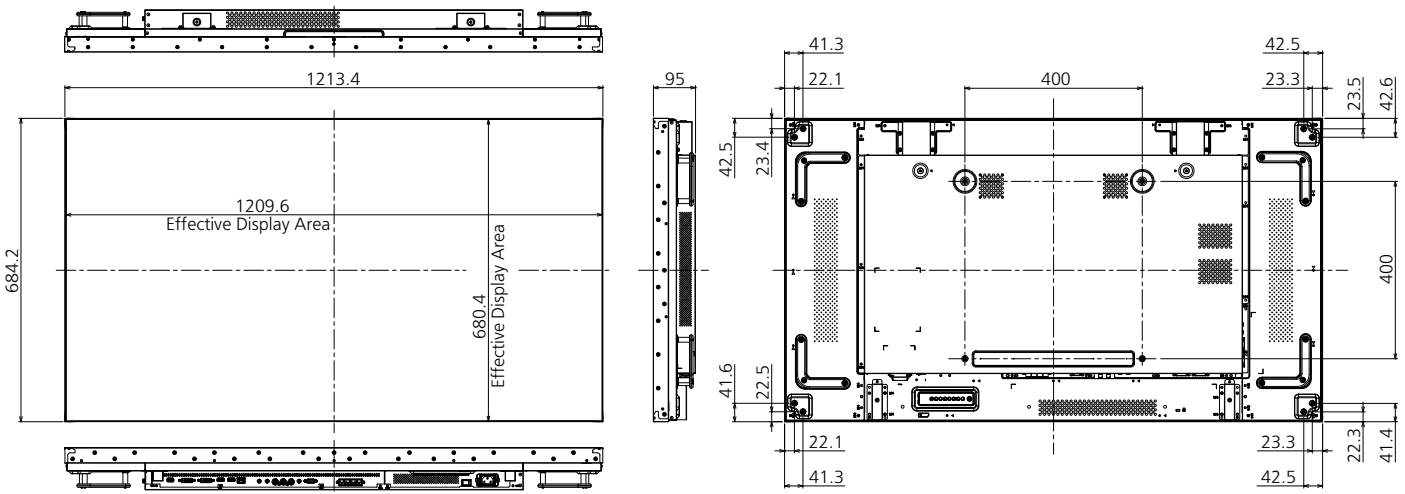
**OPTIONAL ACCESSORIES**

Installation Mount	TY-VK55LV1
Cover Frame Kit	TY-CF55VW50
Early Warning Software	ET-SWA100*1
Video Wall Manager and Auto Display Adjustment Upgrade Kit	TY-VUK10*2

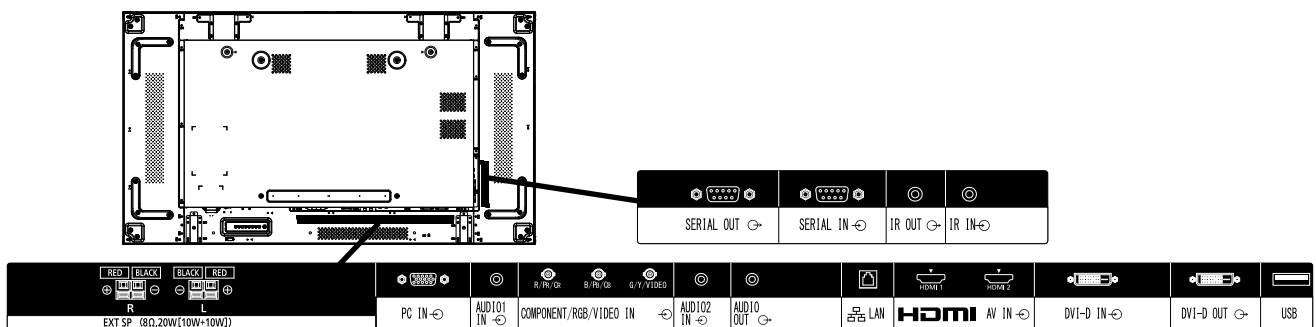
\*1:Suffix of the part number may differ depending on the license type.  
\*2:Supports Ver1.1 or later.

**DIMENSIONS**

Cautions: This drawing is not a scale  
Units : mm



**CONNECTION TERMINAL**



\* Specifications and appearance are subject to change without notice.

## List of correspondence signals

V : VIDEO  
R : D-sub RGB  
Y : YCbCr/YpPp

D : DVI-D  
H : HDMI

The picture signal which can indicate a this machine is as it is the following table.

Correspondence signal	Resolution(dot)	Scan rate		Dot clock rate (MHz)	Input format
		Horizontal(kHz)	Vertical(Hz)		
NTSC/NTSC4.43/ PAL-M/PAL60	720 x 480i	15.73	59.94	-	V
PAL/PAL-N/SECAM	720 x 576i	15.63	50.00	-	V
525i (480i)	720 x 480	15.73	59.94	13.50	R/Y
625i (576i)	720 x 576i	15.63	50.00	13.50	R/Y
525i (480i)	720 (1440) x 480 <sup>*2</sup>	15.73	59.94	27.00	D/H
625i (576i)	720 (1440) x 576 <sup>*2</sup>	15.63	50.00	27.00	D/H
525p (480p)	720 x 483	31.47	59.94	27.00	R/Y/D/H
625p (576p)	720 x 576	31.25	50.00	27.00	R/Y/D/H
750 (720) /60p	1280 x 720	45.00	60.00	74.25	R/Y/D/H
750 (720) /50p	1280 x 720	37.50	50.00	74.25	R/Y/D/H
1125 (1080) /60 <sup>*1</sup>	1920 x 1080i	33.75	60.00	74.25	R/Y/D/H
1125 (1080) /50i	1920 x 1080i	28.13	50.00	74.25	R/Y/D/H
1125 (1080) /24p	1920 x 1080	27.00	24.00	74.25	R/Y/D/H
1125 (1080) /24PsF	1920 x 1080i	27.00	48.00	74.25	R/Y
1125 (1080) /25p	1920 x 1080	28.13	25.00	74.25	R/Y/D/H
1125 (1080) /30p	1920 x 1080	33.75	30.00	74.25	R/Y/D/H
1125 (1080) /60p	1920 x 1080	67.50	60.00	148.50	R/Y/D/H
1125 (1080) /50p	1920 x 1080	56.25	50.00	148.50	R/Y/D/H
VESA400	640 x 400	31.47	70.09	25.18	R/Y/D/H
	640 x 400	31.50	85.08	31.50	R/Y/D/H
VGA	640 x 480	31.47	59.94	25.18	R/Y/D/H
	640 x 480	35.00	66.67	30.24	R/Y/D/H
	640 x 480	37.86	72.81	31.50	R/Y/D/H
	640 x 480	37.50	75.00	31.50	R/Y/D/H
	640 x 480	43.27	85.01	36.00	R/Y/D/H
SVGA	800 x 600	35.16	56.25	36.00	R/Y/D/H
	800 x 600	37.88	60.32	40.00	R/Y/D/H
	800 x 600	48.08	72.19	50.00	R/Y/D/H
	800 x 600	46.88	75.00	49.50	R/Y/D/H
	800 x 600	53.67	85.06	56.25	R/Y/D/H
MAC16	832 x 624	49.72	74.55	57.28	R/Y/D/H
852 x 480	852 x 480	31.47	59.94	34.24	D/H
XGA	1024 x 768	39.55	50.00	51.89	D/H
	1024 x 768	48.36	60.00	65.00	R/Y/D/H
	1024 x 768	56.48	70.07	75.00	R/Y/D/H
	1024 x 768	60.02	75.03	78.75	R/Y/D/H
	1024 x 768	65.55	81.63	86.00	R/Y/D/H
	1024 x 768	68.68	85.00	94.50	R/Y/D/H
WSVGA	1066 x 600	37.64	59.94	53.00	D/H
MXGA	1152 x 864	53.70	60.00	81.62	D/H
	1152 x 864	63.99	70.02	94.20	R/Y/D/H
	1152 x 864	67.50	75.00	108.00	R/Y/D/H
	1152 x 864	77.09	85.00	119.65	R/Y/D/H
MAC21	1152 x 870	68.68	75.06	100.00	R/Y/D/H
1280 x 720	1280 x 720	44.76	60.00	74.48	R/Y/D/H
1280 x 768	1280 x 768	39.55	49.94	65.18	R/Y/D/H
	1280 x 768	47.70	60.00	80.14	R/Y/D/H
	1280 x 768	47.78	59.87	79.50	R/Y/D/H
1280 x 800	1280 x 800	41.20	50.00	68.56	R/Y/D/H
	1280 x 800	49.31	59.91	71.00	R/Y/D/H
	1280 x 800	49.70	59.81	83.50	R/Y/D/H
	1280 x 800	60.00	60.00	108.00	R/Y/D/H
MSXGA	1280 x 960	85.94	85.00	148.50	R/Y
SXGA	1280 x 1024	63.98	60.02	108.00	R/Y/D/H
	1280 x 1024	79.98	75.02	135.00	R/Y/D/H
	1280 x 1024	91.15	85.02	157.50	R/Y/D/H
1360 x 768	1360 x 768	47.71	60.02	85.50	D/H
	1360 x 768	47.70	60.00	84.72	D/H
	1360 x 768	47.72	59.80	84.75	D/H
	1366 x 768	39.55	50.00	69.92	D/H
1366 x 768	1366 x 768	48.39	60.03	86.71	R/Y/D/H
	1366 x 768	48.00	60.00	72.00	R/Y/D/H
	1366 x 768	39.56	49.89	69.00	R/Y/D/H
	1366 x 768	47.71	59.79	85.50	R/Y/D/H
	1400 x 1050	65.22	60.00	122.61	D/H
SXGA+	1400 x 1050	82.20	75.00	155.85	R/Y/D/H
	1440 x 900	55.47	59.90	88.75	R/Y/D/H
WXGA+	1440 x 900	55.92	60.00	106.47	R/Y/D/H
	1600 x 900	46.30	50.00	97.05	D/H
1600 x 900	1600 x 900	60.00	60.00	108.00	D/H
	1600 x 900	55.99	59.95	118.25	D/H
	1600 x 900	55.92	60.00	119.00	D/H
	1680 x 1050	65.29	59.95	146.25	R/Y/D/H
UXGA	1600 x 1200 <sup>*3</sup>	75.00	60.00	162.00	R/Y/D/H
1920 x 1080	1920 x 1080 <sup>*4</sup>	66.59	59.93	138.50	R/Y/D/H
	1920 x 1080	67.50	60.00	148.50	R/Y/D/H
WUXGA	1920 x 1200 <sup>*3</sup>	74.04	59.95	154.00	R/Y/D/H

● The signal format distinguished automatically will be sometimes indication different from an actual input signal.

\*1: When 1125 (1035) /60i signal is input, it is displayed as 1125 (1080) /60i signal. \*3: Displayed with image elements thinned out in the image processing circuit.

\*2: Pixel-Repetition signal (dot clock frequency 27.0 MHz) only

\*4: Based on VESA CVT-RB (Reduced Blanking) standard