

Semiconductor Fuses

Semiconductor technology is widespread. Not by coincidence, so's our semiconductor fuse line.



Your problem:

Hardly an electric-powered product exists today that doesn't rely on semiconductor technology to some degree. That means extending circuit protection to thyristors, triacs, diodes, and a host of other solid-state components — as well as a wide range of voltage requirements, unique mounting configurations, and special protection characteristics.

Our solution: Mersen affords OEM designers and equipment-maintenance personnel a comprehensive line of Form 101 semiconductor protection fuses in ratings from 130 to 1500VAC. Plus, Square Body North American and European-Dimension semiconductor fuses in 690/700 and 1250/ 1300V ratings (four sizes of each). Plus, compatible fuse blocks and accessories such as blown-fuse indicators, Trigger[®] switch actuators, and add-on switches.

Want more information fast? For more technical or application-specific information, please call our Semiconductor Fuse experts, at 978-462-6662; 416-252-9371 in Canada; or visit our website at us-ferrazshawmut.mersen.com.

D Semiconductor Fuses

- Amp-Trap[®] Form 101 / A15QS D2
- Amp-Trap[®] Form 101 / A30QS D4
- Amp-Trap[®] Form 101 / A50QS D6
- Amp-Trap[®] Form 101 / A50P D8
- Amp-Trap[®] Form 101 / A60Q..... D10
- Amp-Trap[®] Form 101 / A60X D11
- Protistor[®] / A070gRB D13
- French Cylindrical / A70QS D14
- Amp-Trap[®] Form 101 / A70QS D16
- Amp-Trap[®] Form 101 / A70P D18
- Amp-Trap[®] Form 101 / A70Q..... D20
- Amp-Trap[®] Form 101 / A100P D22
- Amp-Trap[®] Form 101 / A120X D24
- Amp-Trap[®] Form 101 / A150X D25
- DIN 6,9gRB-URB;6,6gRB-URB D26
- British Standard..... D31
- PSC Square Body 690/700V..... D44
- PSC Square Body 1250/1300V..... D55
- French Cylindrical D63

FERRAZ SHAWMUT IS NOW MERSEN

MERSEN

A15QS Semiconductor Protection Fuses

A15QS Amp-Trap® Form 101 Semiconductor Protection fuses were designed for the specific protection of diodes and other semiconductor devices rated 150VAC/DC. The A15QS product line's compact design is perfect for those applications that have limitations on available space.

Features/Benefits:

- Low I²t minimizes damage to protected components on short circuit
- Controlled arc voltage reduces stress to circuit components during fuse clearing
- Choice of mounting types provides options for unique termination requirements

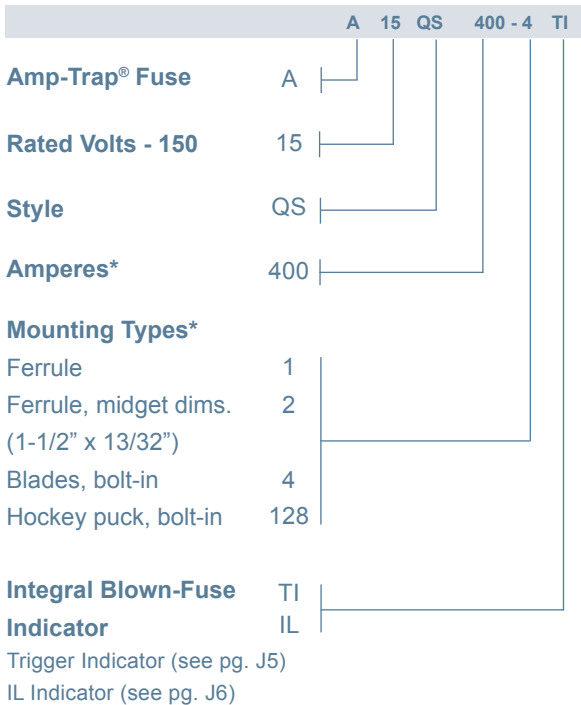
Highlights:

- Fast acting
- Current limiting
- Low I²t
- Indicator options available

Applications:

- Protection of heavy duty devices such as electrochemical rectifiers

Catalog Numbering System



Single Pole Fuse Blocks for A15QS Fuses

Fuse Ampere Rating	Catalog No.
1-30	30311
31-60	U71006
500-600	P243G
40-450	P243D
800	ISC375



Ratings:

Volts	: 150VAC / DC
Amps	: 1 to 6000A
I.R.	: 100kA I.R. AC
	: 100kA I.R. DC

Approvals:

- UL recognized component UL File E60314
- AC: UL guide no. JFHR2 (1-4000A)
- DC tested to UL standard 198L parameters (1-4000A)



* For ampere ratings and types not listed, consult the factory.

** For harsh duty applications, refer to the A13X product family. Consult the factory or A13X application information.

A15QS Semiconductor Protection Fuses

Catalog Numbers (amps)

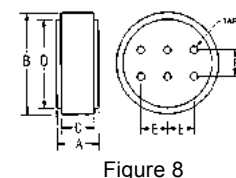
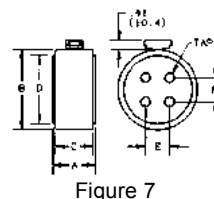
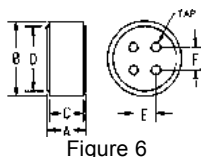
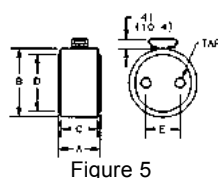
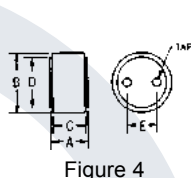
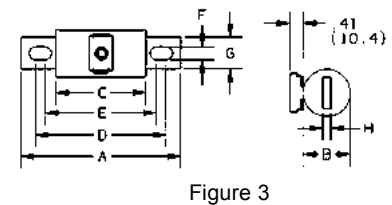
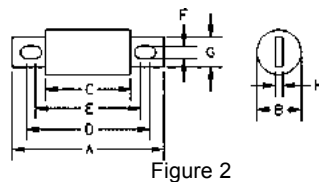
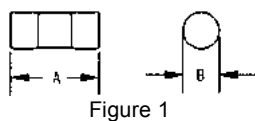
Catalog No.	Dimen. Fig.	Catalog No.	Dimen. Fig.	Catalog No.	Dimen. Fig.	Catalog No.	Dimen. Fig.
A15QS1-2	1	A15QS70-4	2	A15QS350-4TI	2	A15QS2000-128IL	5
A15QS2-2	1	A15QS70-4TI	2	A15QS400-4	2	A15QS2500-128	4
A15QS3-2	1	A15QS80-4	2	A15QS400-4IL	3	A15QS2500-128IL	5
A15QS4-2	1	A15QS80-4TI	2	A15QS400-4TI	2	A15QS3000-128	4
A15QS5-2	1	A15QS90-4	2	A15QS450-4	2	A15QS3000-128IL	5
A15QS6-2	1	A15QS100-4	2	A15QS450-4IL	3	A15QS3500-128	6
A15QS7-2	1	A15QS100-4TI	2	A15QS500-4	2	A15QS4000-128	6
A15QS8-2	1	A15QS130-4	2	A15QS500-4IL	3	A15QS4000-128IL	7
A15QS10-2	1	A15QS130-4TI	2	A15QS600-4	2	A15QS4500-128	8
A15QS12-2	1	A15QS150-4	2	A15QS600-4IL	3	A15QS4500-128IL	
A15QS15-2	1	A15QS150-4IL	3	A15QS800-4	2	A15QS5000-128	8
A15QS20-2	1	A15QS150-4TI	2	A15QS1000-4	2	A15QS6000-128	8
A15QS25-2	1	A15QS175-4TI	2	A15QS1000-4IL	3		
A15QS30-2	1	A15QS200-4	2	A15QS1000-4TI	2		
A15QS35-1	1	A15QS200-4IL	3	A15QS1000-128	4		
A15QS40-1	1	A15QS250-4	2	A15QS1000-128IL	5		
A15QS40-4TI	2	A15QS250-4TI	2	A15QS1200-128	4		
A15QS45-1	1	A15QS300-4	2	A15QS1200-128IL	5		
A15QS50-1	1	A15QS300-4TI	2	A15QS1500-128	4		
A15QS50-4	2	A15QS300-4IL	3	A15QS1500-128IL	5		
A15QS60-1	1	A15QS350-4	2	A15QS2000-128	4		

* For ampere ratings and styles not listed, call Technical Services at 978-465-4853.

Dimensions

Outline Ref.	Mounting Type	Fig.	Dimensions - Inches (mm)								Tap	
			A	B	C	D	E	F	G	H		
A15QS1 to 30	2	1	.50 (38.1)	.41 (10.4)	-	-	-	-	-	-	-	-
15QS35 to 60	1	1	2.00 (50.8)	.81 (20.6)	-	-	-	-	-	-	-	-
A15QS20 to 450	4, 4TI*, 4IL*	2, 3*	2.66 (67.6)	1.13 (28.7)	1.16 (29.5)	2.19 (55.6)	1.91 (48.5)	.31 (7.9)	.74 (22.4)	.13 (4.8)	-	-
A15QS500 to 1000	4, 4TI*, 4IL*	2, 3*	3.50 (88.9)	1.50 (38.1)	1.25 (31.8)	2.56 (65.0)	1.94 (49.3)	.41 (10.4)	1.00 (25.4)	.25 (6.4)	-	-
A15QS750 to 2000	128, 128IL*	4, 5*	1.88 (47.8)	2.00 (50.8)	1.63 (41.4)	1.75 (44.5)	1.00 (25.4)	-	-	-	-	3/8-24-1/2 Deep
A15QS2500 to 3000	128, 128IL*	4, 5*	1.88 (47.88)	3.00 (76.2)	1.63 (41.4)	2.50 (63.5)	1.50 (38.1)	-	-	-	-	1/2-20-1/2 Deep
A15QS3500 to 4000	128, 128IL*	6, 7*	1.88 (47.88)	3.50 (88.9)	1.63 (41.4)	3.00 (76.2)	1.06 (27.0)	1.06 (27.0)	-	-	-	1/2-20-1/2 Deep
A15QS4500 to 6000	128	8	2.38 (60.5)	5.75 (146)	1.88 (47.7)	5.00 (127)	1.50 (38.1)	1.50 (38.1)	-	-	-	1/2-20-1/2 Deep

* Optional Trigger Indicator (TI) and (IL) indicator.



A30QS Semiconductor Protection Fuses

A30QS Amp-Trap® Semiconductor Protection fuses are intended for the protection of Power Semiconductors such as diodes, phase control SCR's and other power semiconductor devices. The A30QS is recommended for new applications providing solutions for your critical protection needs at 300V and less semiconductors.

Features/Benefits:

- Low I²t minimizes damage to protected component on short circuit
- Controlled arc voltage reduces stress to circuit components during fuse clearing
- Choice of mounting types helps in equipment design

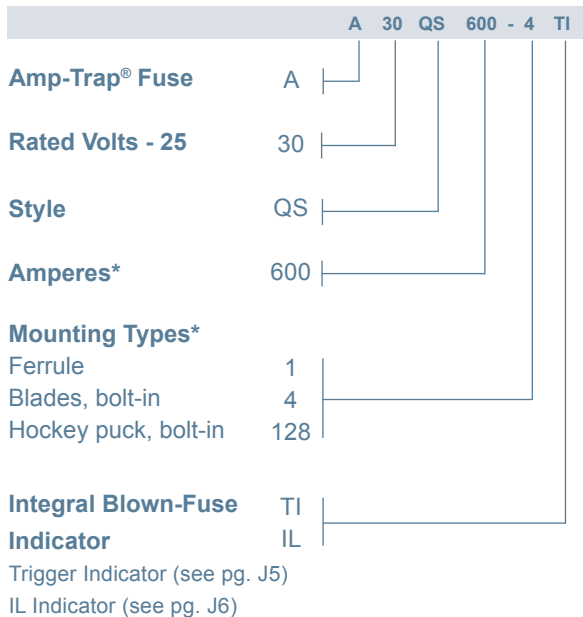
Highlights:

- Fast acting
- Current-limiting
- Low I²t
- Indicator options available
- Superior DC capabilities

Applications:

- Protection of 300V (or less) heavy duty rectifiers and similar heavy duty power supplies

Catalog Numbering System



* For ampere ratings and styles not listed, call Technical Services at 978-465-4853.



Single Pole Fuse Blocks for A30QS Fuses

Fuse Ampere Rating	Catalog No.
1-30	70316 + US14
31-60	P243G
61-100	P243
101-200	P243
401-600	P243G
700-800	ISC375



Ratings:

- Volts** : 300VAC / DC
- Amps** : 1 to 4500A
- I.R.** : 200kA I.R. AC
: 100kA I.R. DC
- L/R** : 10ms

Approvals:

- UL recognized component
UL File E60314
- AC: UL guide no. JFHR2
(35-4500A)



A30QS Semiconductor Protection Fuses

Catalog Numbers (amps)

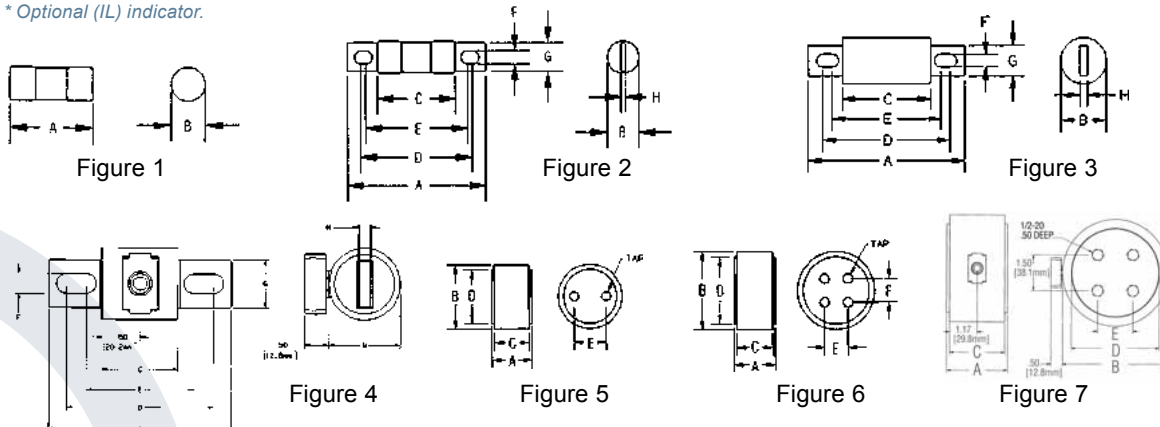
Catalog No.	Dimen. Fig.	Catalog No.	Dimen. Fig.	Catalog No.	Dimen. Fig.
A30QS1-1	1	A30QS100-4TI	3	A30QS600-4TI	3
A30QS2-1	1	A30QS125-4	3	A30QS600-4IL	4
A30QS3-1	1	A30QS130-4	3	A30QS700-4	4
A30QS4-1	1	A30QS150-4	3	A30QS700-128	5
A30QS5-1	1	A30QS150-4TI	3	A30QS800-4	3
A30QS6-1	1	A30QS175-4	3	A30QS800-4IL	4
A30QS7-1	1	A30QS200-4	3	A30QS800-128	5
A30QS8-1	1	A30QS200-4TI	3	A30QS1000-128	5
A30QS10-1	1	A30QS225-4	3	A30QS1000-128IL	5
A30QS12-1	1	A30QS250-4	3	A30QS1200-128	5
A30QS15-1	1	A30QS250-4TI	3	A30QS1500-128	6
A30QS20-1	1	A30QS300-4	3	A30QS1500-128IL	7
A30QS25-1	1			A30QS1600-128	6
A30QS30-1	1	A30QS300-4TI	3	A30QS2000-128	6
A30QS35-4	2	A30QS350-4	3	A30QS2000-128IL	7
A30QS40-4	2	A30QS400-4	3	A30QS2500-128	6
A30QS50-4	2	A30QS400-4IL	4	A30QS2500-128IL	7
A30QS60-4	2	A30QS400-4TI	3	A30QS3000-128	6
A30QS70-4	3	A30QS450-4	3	A30QS3500-128	6
A30QS80-4	3	A30QS500-4	3	A30QS3500-128IL	7
A30QS90-4	3	A30QS550-4	3	A30QS4000-128	6
A30QS100-4	3	A30QS600-4	3	A30QS4500-128	6

* For ampere ratings and styles not listed, call Technical Services at 978-465-4853.

Dimensions

Outline Ref.	Mounting Type	Fig.	Dimensions - Inches (mm)								Tap	
			A	B	C	D	E	F	G	H		
A30QS1 to 30	1	1	2.00 (51)	0.56 (14)	-	-	-	-	-	-	-	-
A30QS35 to 60	4	2	3.19 (81)	.081 (21)	1.63 (41)	2.50 (64)	2.25 (58)	0.34 (9)	.72 (18)	0.13 (3)	-	-
A30QS70 to 200	4	3	3.13 (80)	1.22 (31)	1.63 (41)	2.44 (62)	2.19 (55)	0.31 (8)	1.22 (31)	0.19 (5)	-	-
A30QS225 to 700	4, 4IL*	3,4*	3.84 (98)	1.50 (38)	1.59 (40)	3.10 (74)	2.28 (58)	0.41 (10)	1.00 (25)	0.25 (6)	-	-
A30QS700 to 1200	128	5	2.59 (66)	3.00 (76)	2.34 (59)	2.50 (64)	1.50 (38)	-	-	-	3/8-24-1/2 Deep (2)	-
A30QS1500 to 2500	128, 128IL*	6, 7*	2.59 (66)	3.50 (76)	2.34 (59)	3.00 (64)	1.50 (38)	1.50 (38)	-	-	3/8-24-1/2 Deep (4)	-
A30QS3000 to 4500	128, 128IL*	6, 7*	2.59	4.50	2.34	3.75	1.50	1.50	-	-	1/2-20-1/2 Deep (4)	-
A30QS3000 to 4500	128, 128IL*	6, 7*	2.59 (66)	4.50 (114)	2.34 (59)	3.75 (95)	1.50 (38)	1.50 (38)	-	-	1/2-20-1/2 Deep (4)	-

* Optional (IL) indicator.



For the most current product performance data visit us-ferrazshawmut.mersen.com and use catalog search.

A50QS Semiconductor Protection Fuses

A50QS Amp-Trap® Form 101 fuses grew out of the need to improve the overall performance of semiconductor fuses in response to new equipment requirements. The A50QS encompasses the best protection features – lower I²t to provide better protection for equipment, longer life when subjected to cyclic loading and lower watts loss. A50QS is today's best choice for the protection of dynamic solid state equipment such as motor drives, inverters, UPS, etc.

Features/Benefits:

- Lowest I²t for greatest protection of semiconductor circuits
- Low watts loss for cooler operation
- Superior cycling ability gives an equipment design advantage
- State-of-the-art protection for 500V equipment
- Ultra compact sizes allow down-sizing of existing equipment

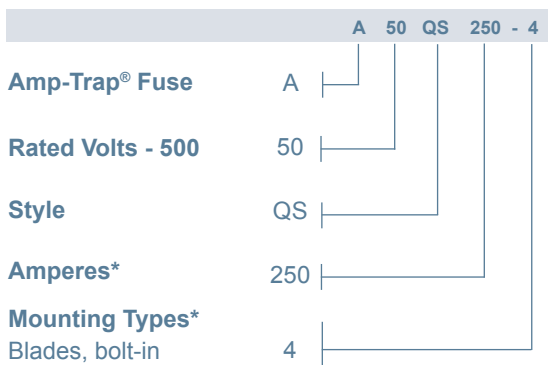
Highlights:

- 500V AC/DC rated
- Lowest I²t
- Low watts loss
- Superior cycling ability

Applications:

- Protection of 500V or less motor drives, UPS, inverters, etc.

Catalog Numbering System



* For ampere ratings and styles not listed, call Technical Services at 978-465-4853.

Single Pole Fuse Blocks for A50QS Fuses

Fuse Ampere Rating	Mounting Type	Catalog No.
35-200	4	P243E
225-600	4	P266C
700-800	4	1SC375
900-1200	4	FH50F5*

*(not UL)



Ratings:

- Volts** : 500VAC / DC
- Amps** : 35 to 60A (AC)
: 70 to 1200A (AC)
: 35 to 1200A (DC)
- I.R.** : 200kA I.R. AC
: 87kA I.R. DC

Approvals:

- UL recognized component
UL File 60314
- AC: UL guide no. JFHR2
- DC Tested to UL standard
198L parameters (70-1200A)
- CSA Certified LR12636



A50QS Semiconductor Protection Fuses

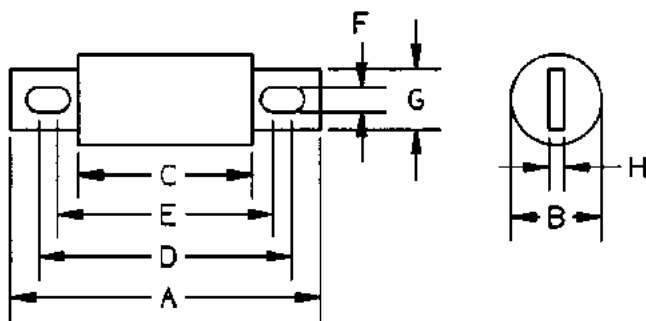
Catalog Numbers (amps)

A50QS35-4	A50QS250-4
A50QS40-4	A50QS300-4
A50QS50-4	A50QS350-4
A50QS60-4	A50QS400-4
A50QS70-4	A50QS450-4
A50QS80-4	A50QS500-4
A50QS90-4	A50QS600-4
A50QS100-4	A50QS700-4
A50QS125-4	A50QS800-4
A50QS150-4	A50QS900-4
A50QS175-4	A50QS1000-4
A50QS200-4	A50QS1200-4
A50QS225-4	

* For ampere ratings and styles not listed, call Technical Services at 978-465-4853.

Dimensions

Catalog Number	Mounting Type	Dimensions - Inches (mm)							
		A	B	C	D	E	F	G	H
A50QS35 to 100	4	3.63 (92.2)	1.00 (25.4)	2.13 (54.1)	2.94 (74.7)	2.75 (69.9)	0.31 (7.9)	0.75 (19.1)	0.13 (3.3)
A50QS125 to 200	4	3.63 (92.2)	1.22 (31.0)	2.13 (54.1)	2.94 (74.7)	2.81 (71.4)	0.31 (7.9)	1.00 (25.4)	0.19 (4.8)
A50QS225 to 400	4	4.34 (110)	1.50 (38.1)	2.09 (53.1)	3.41 (86.6)	2.78 (70.6)	0.41 (10.4)	1.00 (25.4)	0.25 (6.4)
A50QS450 to 600	4	4.47 (114)	2.00 (50.8)	2.22 (56.4)	3.53 (89.7)	2.91 (73.9)	0.41 (10.4)	1.50 (38.1)	0.25 (6.4)
A50QS700 to 800	4	6.47 (164.3)	2.38 (60.3)	2.22 (56.4)	5.00 (127.0)	3.44 (87.3)	.53 (13.5)	2.00 (50.8)	.38 (9.8)
A50QS900 to 1200	4	6.97 (177.0)	2.88 (76.2)	3.22 (81.8)	5.47 (138.9)	4.47 (113.5)	.63 (15.9)	2.38 (60.3)	.44 (11.1)



A50P Semiconductor Protection Fuses

A50P Amp-Trap® Form 101 Semiconductor Protection fuses were developed for DC drives, uninterruptable power supplies and similar applications requiring better protection (lower I²t) and superior reliability. The A50P is typically used for replacement.

Features/Benefits:

- Low I²t minimizes damage to protected components on short circuit
- Controlled arc voltage reduces stress to circuit components during fuse clearing
- Choice of mounting types helps in equipment design

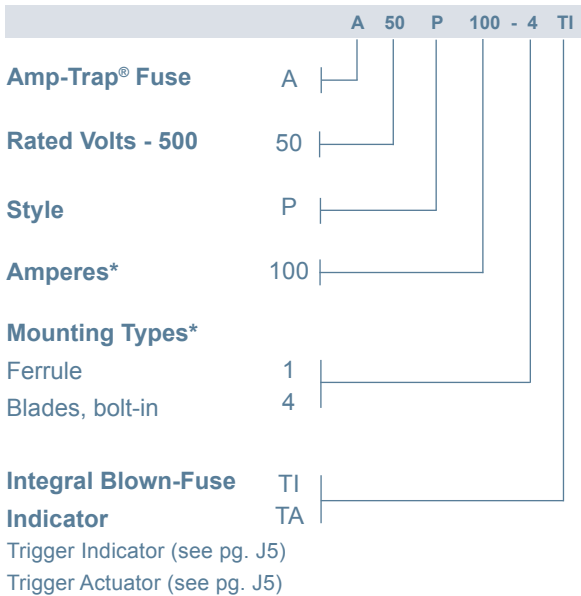
Highlights:

- Very fast acting
- Current limiting
- Low I²t
- Indicator options available

Applications:

- Protection of DC drives, UPS and other equipment of 500 volts or less

Catalog Numbering System



* Contact technical services for applications data.

* For ampere ratings and styles not listed, call Technical Services at 978-465-4853.

Single Pole Fuse Blocks for A50P Fuses

Fuse Ampere Rating	Mounting Type	Fuse Block Catalog No.
10-30	1	70316
35-60	4	P243G
70-200	4	P243E
225-600	4	P266C
700-800	4	1SC375
900-1000	4	FH50F5*

*(not UL)



Ratings:

- Volts** : 500VAC
: 450VDC
- Amps** : 10 to 1200A (AC)
: 35 to 1000A (DC)
- I.R.** : 100kA I.R. AC
: 79kA I.R. DC
- L/R** : 10ms

Approvals:

- UL Recognized Component
UL File 60314
- AC: UL Guide No. JFHR2
(10-800A)
- DC: UL Guide No. JFHR2
(35-800A)



MERSEN

A50P Semiconductor Protection Fuses

Catalog Numbers (amps)

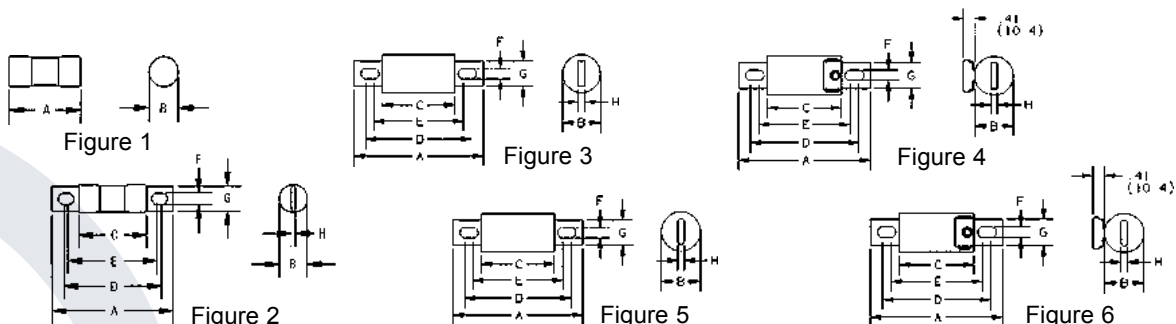
Catalog No.	Dimen. Fig.	Catalog No.	Dimen. Fig.	Catalog No.	Dimen. Fig.
A50P10-1	1	A50P175-4	3	A50P450-4	3
A50P15-1	1	A50P175-4TI	3	A50P450-4TI	3
A50P20-1	1	A50P200-4	3	A50P500-4	3
A50P25-1	1	A50P200-4TA	4	A50P500-4TI	3
A50P30-1	1	A50P200-4TI	3	A50P600-4	3
A50P35-4	2	A50P225-4	3	A50P600-4TA	4
A50P40-4	2	A50P250-4	3	A50P600-4TI	3
A50P50-4	2	A50P250-4TA	4	A50P700-4	5
A50P60-4	2	A50P250-4TI	3	A50P700-4TA	6
A50P70-4	3	A50P275-4	3	A50P700-4TI	5
A50P80-4	3	A50P300-4	3	A50P800-4	5
A50P90-4	3	A50P300-4TA	4	A50P800-4TA	6
A50P100-4	3	A50P300-4TI	3	A50P800-4TI	5
A50P100-4TI	3	A50P325-4	3	A50P900-4	3
A50P125-4	3	A50P350-4	3	A50P1000-4	3
A50P125-4TA	4	A50P350-4TI	3	A50P1000-4TI	3
A50P125-4TI	3	A50P400-4	3	A50P1200-4	3
A50P150-4	3	A50P400-4TA	4	A50P1200-4TI	3
A50P150-4TI	3	A50P400-4TI	3		

* For ampere ratings and styles not listed, call Technical Services at 978-465-4853.

Dimensions

Outline Ref.	Mounting Type	Fig.	Dimensions - Inches (mm)								
			A	B	C	D	E	F	G	H	
A50P10 to 30	1	1	2.00 (50.8)	0.56 (14.2)	-	-	-	-	-	-	-
A50P35 to 60	1DS*	1	2.25 (57.2)	0.81 (20.6)	-	-	-	-	-	-	-
A50P35 to 60	4	2	3.19 (81.0)	0.81 (20.6)	1.63 (41.4)	2.50 (63.5)	2.25 (57.2)	0.34 (8.6)	0.72 (18.3)	0.13 (3.3)	
A50P70 to 100	4	3	3.63 (92.2)	1.00 (25.4)	2.13 (54.1)	2.94 (74.7)	2.81 (71.4)	0.31 (7.9)	0.75 (19.1)	0.13 (3.3)	
A50P125 to 200	4, 4TA**	3, 4**	3.63 (92.2)	1.22 (31.0)	2.13 (54.1)	2.94 (74.7)	2.81 (71.4)	0.31 (7.9)	1.00 (25.4)	0.19 (4.8)	
A50P225 to 400	4, 4TA**	3, 4**	4.34 (110)	1.50 (38.1)	2.09 (53.1)	3.41 (86.6)	2.78 (70.6)	0.41 (10.4)	1.00 (25.4)	0.25 (6.4)	
A50P450 to 600	4, 4TA**	3, 4**	4.47 (114)	2.00 (50.8)	2.22 (56.4)	3.53 (89.7)	2.91 (73.9)	0.41 (10.4)	1.50 (38.1)	0.25 (6.4)	
A50P700 to 800	4, 4TA**	5, 6**	6.47 (164)	2.50 (63.5)	2.22 (56.4)	4.63 (118)	4.31 (109)	0.53 (13.5)	2.00 (50.8)	0.38 (9.7)	
A50P900 to 1200	4	3	6.97 (177)	3.00 (76.2)	3.22 (81.8)	4.97 (126)	***	0.63 (16.0)	2.38 (60.5)	0.44 (11.1)	

* Use with 60306J fuse block.
 ** Optional Trigger Actuator (TA)
 *** Mounting hole is round, diameter F.



For the most current product performance data visit us-ferrazshawmut.mersen.com and use catalog search.

A60Q Semiconductor Protection Fuses

A60Q Amp-Trap® Form 101 Semiconductor Protection fuses feature the only 600V AC / DC rating in the industry of similar size (1-1/2" x 13/32") fuses protecting semiconductors. A60Q also has the lowest I²t of all similar fuses and excellent cycling ability. Applications include inverters and small equipment requiring extremely fast response to faults, without the need to carry sustained heavy overloads.

Features/Benefits:

- Lowest I²t of any fuse this size for greater protection
- Excellent cycling ability gives advantage in equipment design
- 600V AC / DC rated

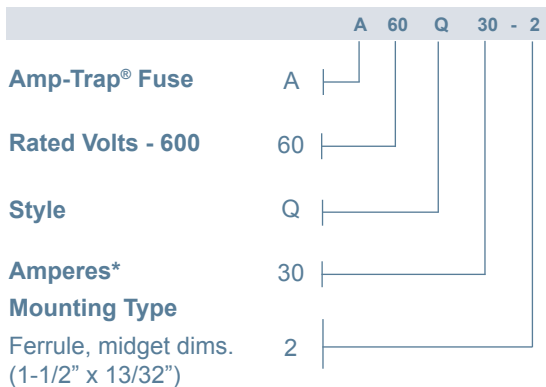
Highlights:

- 600VAC/DC rated
- Extremely fast acting
- Current limiting
- Lowest I²t
- Excellent cycling ability

Applications:

- Protection of small inverters and drives, and equipment requiring the highest degree of protection

Catalog Numbering System



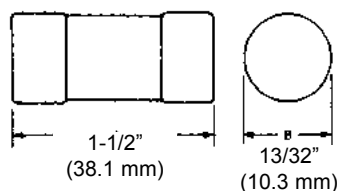
Catalog Numbers (amps)

A60Q5-2	A60Q20-2
A60Q6-2	A60Q25-2
A60Q8-2	A60Q30-2
A60Q10-2	A60Q35-2
A60Q12-2	A60Q40-2
A60Q15-2	

* For ampere ratings and styles not listed, call Technical Services at 978-465-4853.

Fuse Holders for A60Q Fuses

USM SeriesUltraSafe™ Fuse Holders
303 SeriesMidget Fuse Blocks



Ratings:

Volts : 600VAC / DC
Amps : 5 to 40A (AC)
 : 5 to 40A (DC)
I.R. : 200kA I.R. AC
 : 100kA I.R. DC
L/R : 10ms

Approvals:

- UL Recognized component
- AC: UL guide JFHR2
File E60314
- DC: UL file E60314



A60X Semiconductor Protection Fuses

A60X Amp-Trap® Form 101 Semiconductor Protection fuses are popular for the protection of higher voltage heavy rectifiers such as traction rectifiers. They can carry long sustained overloads common with heavy duty apparatus. 700A through 2000A sizes are of compact, hockey-puck design, able to provide high power protection in a small space.

Features/Benefits:

- Low I^2t minimizes damage to protected components on short circuit
- Controlled arc voltage reduces stress to circuit components during fuse clearing
- Choice of mounting types helps in equipment design

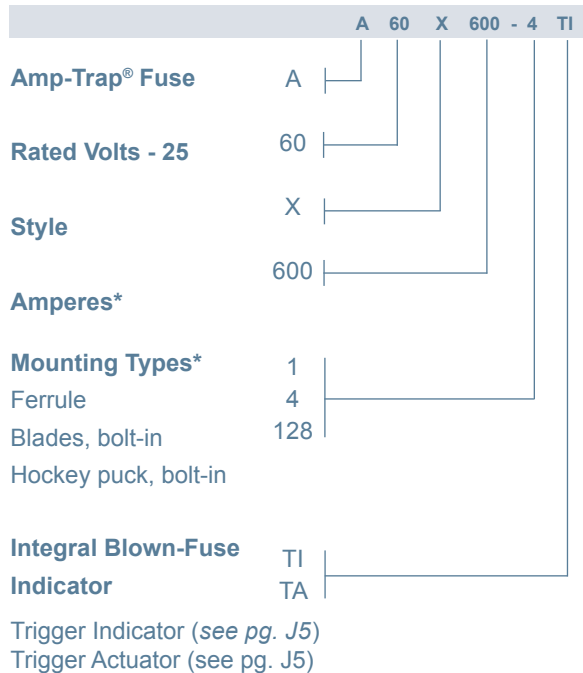
Highlights:

- Fast acting
- Current limiting
- Low I^2t
- Indicator options available

Applications:

- Protection of heavy traction and electrochemical as well as rectifiers and other heavy-duty equipment

Catalog Numbering System



* For ampere ratings and styles not listed, call Technical Services at 978-465-4853.

Single Pole Fuse Blocks for A60X Fuses

Fuse Ampere Rating	Fuse Block Catalog No.
1-30	60316
31-60	P243C
61-100	P243C
101-200	P243C
201-400	P266A
401-600	P266A



Ratings:

Volts : 600VAC
Amps : 1 to 2000A
I.R. : 100kA I.R. AC

Approvals:

- UL recognized component
UL file E60314
- AC: UL guide no. JFHR2
(35-800A)



A60X Semiconductor Protection Fuses

Catalog Numbers (amps)

Catalog No.	Dimen. Fig.	Catalog No.	Dimen. Fig.	Catalog No.	Dimen. Fig.
A60X1-1	1	A60X80-4TA	4	A60X400-4	3
A60X2-1	1	A60X90-4	3	A60X400-4TA	4
A60X3-1	1	A60X100-4	3	A60X400-4TI	3
A60X4-1	1	A60X100-4TA	4	A60X450-4	3
A60X5-1	1	-	3	A60X450-4TA	4
A60X6-1	1	A60X125-4	3	A60X500-4	3
A60X7-1	1	A60X125-4TA	4	A60X500-4TA	4
A60X8-1	1	A60X150-4	3	A60X500-4TI	3
A60X10-1	1	A60X150-4TA	4	A60X600-4	3
A60X12-1	1	A60X175-4	3	A60X600-4TA	4
A60X15-1	1	A60X200-4	3	A60X600-4TI	3
A60X20-1	1	A60X200-4TA	4	A60X700-4	5
A60X25-1	1	A60X200-4TI	3	A60X700-128	7
A60X30-1	1	A60X225-4	3	A60X800-4	5
A60X35-4	2	A60X250-4	3	A60X800-4TA	6
A60X40-4	2	A60X250-4TA	4	A60X800-128	7
A60X45-4	2	A60X250-4TI	3	A60X1000-128	8
A60X50-4	2	A60X300-4	3	A60X1200-128	8
A60X55-4	2	A60X300-4TA	4	A60X1500-128	8
A60X60-4	2	A60X300-4TI	3	A60X1600-128	8
A60X70-4	3	A60X350-4	3	A60X1800-128	8
A60X80-4	3	A60X350-4TA	4	A60X2000-128	8

* For ampere ratings and styles not listed, call Technical Services at 978-465-4853.

Dimensions

Outline Ref.	Mounting Type	Fig.	Dimensions - Inches (mm)								Tap	
			A	B	C	D	E	F	G	H		
A60X1 to 30	1	1	5.00 (127)	.81 (20.6)	-	-	-	-	-	-	-	-
A60X35 to 60	4	2	4.38 (111)	.81 (20.6)	2.78 (70.6)	3.69 (93.7)	3.44 (87.4)	.34 (8.6)	.72 (18.3)	.13 (3.3)	-	-
A60X70 to 100	4, 4TI*, 4TA	3, 4*	4.41 (112)	1.00 (25.4)	2.91 (73.9)	3.72 (94.5)	3.59 (91.2)	.31 (7.9)	.75 (19.1)	.13 (3.3)	-	-
A60X125 to 200	4, 4TI*, 4TA	3, 4*	4.41 (112)	1.22 (31.0)	2.91 (73.9)	3.72 (94.5)	3.59 (91.2)	.31 (7.9)	1.00 (25.4)	.19 (4.8)	-	-
A60X225 to 400	4, 4TI*, 4TA	3, 4*	5.13 (130)	1.50 (38.1)	2.88 (73.2)	4.19 (106)	3.56 (90.4)	.41 (10.4)	1.00 (25.4)	.25 (6.4)	-	-
A60X450 to 600	4, 4TI*, 4TA	3, 4*	5.13 (130)	2.00 (50.8)	2.88 (73.2)	4.06 (103)	3.69 (93.7)	.41 (10.4)	1.50 (38.1)	.25 (6.4)	-	-
A60X700 to 800	4, 4TA*	5, 6*	7.25 (184)	2.50 (63.5)	3.00 (76.2)	5.94 (151)	4.56 (116)	.53 (13.5)	2.00 (50.8)	.38 (9.7)	-	-
A60X700 to 800	128	7	4.00 (102)	3.00 (76.2)	3.75 (95.3)	2.50 (63.5)	1.50 (38.1)	-	-	-	3/8-24-1/2 Deep	-
A60X1000 to 1200	128	8	4.00 (102)	3.50 (88.9)	3.75 (95.3)	3.00 (76.2)	1.50 (38.1)	1.50 (38.1)	-	-	3/8-24-1/2 Deep	-
A60X1500 to 2000	128	8	4.00 (102)	4.50 (114)	3.75 (95.3)	3.75 (95.3)	1.50 (38.1)	1.50 (38.1)	-	-	1/2-20-1/2 Deep	-

* Optional Trigger Actuator (TA) or Trigger Indicator (TI)

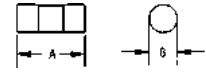


Figure 1

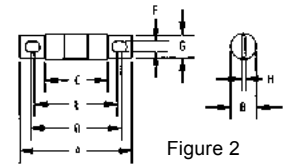


Figure 2

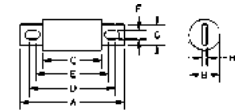


Figure 3

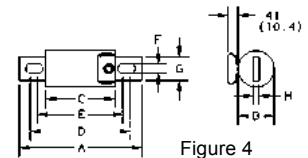


Figure 4

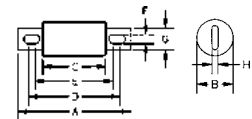


Figure 5

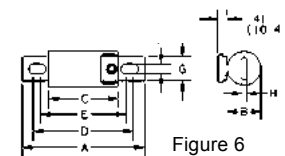


Figure 6

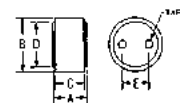


Figure 7

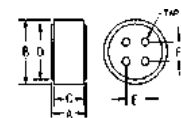


Figure 8

A070gRB Semiconductor Protection Fuses

The A070gRB is a fast acting, full range fuse utilized in the protection of inverters, UPS and other discrete semi-conductor devices

Features/Benefits:

- International 10 X 38 mm (1 1/2" X 13/32") size for worldwide acceptance
- Ferrule mount 1 to 30A for design versatility
- Low I²t for improved semiconductor protection
- gR Class according to VDE 636-23 and IEC 269.4

Highlights:

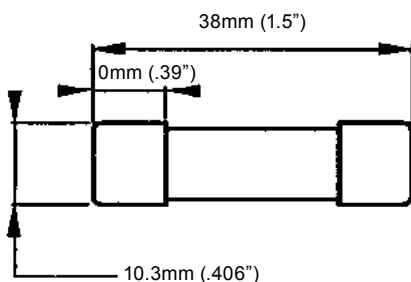
- Extremely fast acting
- Current limiting
- Low I²t
- Excellent cycling capability
- gR

Applications:

- Protection of small inverters, UPS systems, motor drives and similar 700V or less equipment

Catalog Numbers (amps)

Body Size (mm)	Ampere Rating	Rated Voltage (VAC)	Melting I ² t (A ² s)	Clearing I ² t @ Rated Voltage (A ² s)	Watts Loss		Description	Catalog No.
					@ 80% Rated Current	@ 100% Rated Current		
10 X 38	1	700	0.075	0.28	0.57	0.9	A070GRC01T13	Z330279
	1.25		0.115	0.4	0.7	1.25	A070GRB1.25T13	X330001
	1.5		0.185	0.63	0.81	1.5	A070GRB1.5T13	Y330002
	2		0.42	1.43	1.1	2	A070GRB2T13	Z330003
	2.5		0.88	3	1.15	2.1	A070GRB02.5T13	A330004
	3		1.55	5.1	1.25	2.3	A070GRB03T13	B330005
	4		4	13.2	1.35	2.6	A070GRB04T13	C330006
	5		8.6	27.5	1.4	2.7	A070GRB05T13	D330007
	6		15	48.5	1.5	2.9	A070GRB06T13	E330008
	8		3.3	36.3	1.35	2.4	A070GRB08T13	F330009
	10		5.4	60.5	1.85	3.4	A070GRB10T13	G330010
	12.5		8.5	90.2	1.9	3.4	A070GRB12.5T13	H330011
	16		16	160	2.3	4.1	A070GRB16T13	J330012
	20		30	275	2.4	4.3	A070GRB20T13	K330013
	25		58	520	2.7	4.7	A070GRB25T13	L330014
30	96	815	2.9	5	A070GRB30T13	M330015		



Ratings:

- Volts : 700VAC
 : 550VDC
 Amps : 1 to 30A
 I.R. : 160kA I.R. AC
 : 10kA I.R. DC
 L/R : 10ms

Approvals:

- UL recognized component
 UL file E76491
- IEC 269-4 compliance
- AC: UL guide no. JFHR2



A70QS French Cylindrical

These Premium Amp-Trap® French cylindrical semiconductor fuses are an extension of the popular A70QS product line. They are solid-fill 14mm and 22mm fuses, IEC rated 690VAC, 200kA Interrupting and 700VDC, 100kA interrupting at 10ms time constant. In addition, these fuses have an 890 VDC rating for capacitor discharge applications up to 2.5ms time constant. All ampere ratings are available with a striker. Applications include small inverter drives and UPS systems, with superior I²t for improved protection and performance.

Features/Benefits:

- International 14x51mm (2"x9/16") and 22x58mm (2-1/4"x13/16") sizes for worldwide acceptance
- Ferrule mount up to 100A for design versatility
- Very low I²t for improved semiconductor protection
- 690V IEC rated, tested at 760VAC; can be used up to 750VAC in U.S.
- 700VDC rated for DC protection of equipment with L/R ≤10ms
- Superior cycling ability for longer life on difficult cyclic loading applications
- aR characteristic for semiconductor short-circuit protection

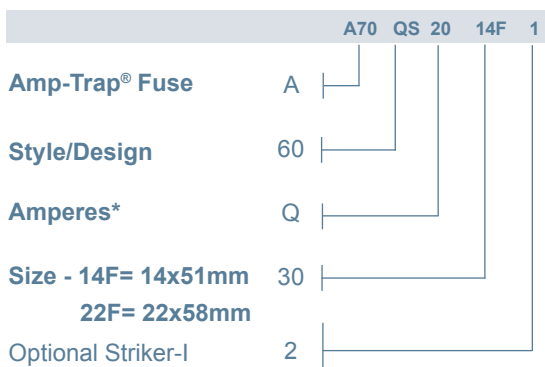
Highlights:

- 14 x 51 and 22 x 58 sizes
- 690VAC IEC rated (760VAC max.)
- 700VDC rated
- Superior cycling ability
- Low watts loss
- Optional striker for visual/remote Indication

Applications:

- Small inverters, UPS systems, motor drives and similar 700V or less equipment

Catalog Numbering System



Fuseholder - see Section H.



Ratings:

- Volts** : 690VAC
: 700VDC
- Amps** : 10 to 100A
- I.R.** : 200kA I.R. AC
: 100kA I.R. DC
- IEC** : tested at 760VAC

Contact factory for details.

Approvals:

- UL recognized component File E76491
- CSA Certified
- IEC 269-4 Compliance



A70QS French Cylindrical

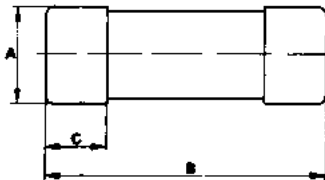
Ratings and Application Data

Body Size (mm)	Ampere Rating	Melting I_2t (A ² s x 10 ³)	Max Clearing I^2t @ 700VAC (A ² s x 10 ³)	Watts Loss @ Rated Current (W)	Catalog Number	
					No Striker	With Striker
14 x 51	6	0.0013	0.017	2.0	A70QS6-14F	A70QS6-14FI
	8	0.0024	0.027	2.8	A70QS8-14F	A70QS8-14FI
	10	0.0043	0.04	3.5	A70QS10-14F	A70QS10-14FI
	12	0.0054	0.06	4.4	A70QS12-14F	A70QS12-14FI
	16	0.0132	0.10	4.8	A70QS16-14F	A70QS16-14FI
	20	0.027	0.16	5.2	A70QS20-14F	A70QS20-14FI
	25	0.053	0.27	5.8	A70QS25-14F	A70QS25-14FI
	32	0.098	0.50	7.0	A70QS32-14F	A70QS32-14FI
	40	0.13	0.70	10.7	A70QS40-14F	A70QS40-14FI
	50	0.28	1.50	11.6	A70QS50-14F	A70QS50-14FI
22 x 58	10	0.0043	0.025	4.0	A70QS10-22F	A70QS10-22FI
	15	0.008	0.049	6.2	A70QS15-22F	A70QS15-22FI
	20	0.013	0.076	8.0	A70QS20-22F	A70QS20-22FI
	25	0.02	0.125	10.0	A70QS25-22F	A70QS25-22FI
	32	0.049	0.27	11.0	A70QS32-22F	A70QS32-22FI
	40	0.088	0.48	13.0	A70QS40-22F	A70QS40-22FI
	50	0.16	0.80	14.9	A70QS50-22F	A70QS50-22FI
	63	0.35	1.85	16.0	A70QS63-22F	A70QS63-22FI
	70	0.52	2.80	16.5	A70QS70-22F	A70QS70-22FI
	80	0.73	3.80	17.8	A70QS80-22F	A70QS80-22FI
90	1.10	5.64	17.0	A70QS90-22F	A70QS90-22FI	
100	1.56	8.00	19.0	A70QS100-22F	A70QS100-22FI	

*100kA, L/R = 11.6ms

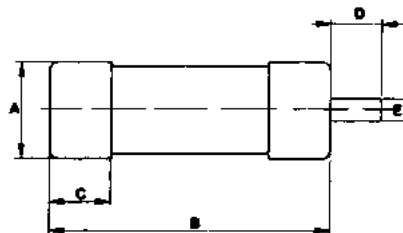
No Striker

Fuse Size	Dimensions-mm		
	A	B	C
14 X 51	14	51	14
22 X 58	22	58	16



With Striker

Fuse Size	Dimensions-mm				
	A	B	C	D	E
14 X 51	14	51	14	7.5	3.8
22 X 58	22	58	16	7.5	3.8



A70QS Amp-Trap® Form 101

A70QS Amp-Trap® Semiconductor Protection fuses were developed in response to the need for improved overall performance of 700V semiconductor fuses for new equipment requirements. A70QS fuses have lower I²t for better protection, longer life when subjected to cyclic loading, plus lower watts loss. A70QS is the best choice to protect dynamic solid state equipment such as motor drives, UPS, etc.

Features/Benefits:

- Very Low I²t for improved protection of equipment
- Superior cycling ability for long, reliable life on high cyclic loading
- Low watts loss for cooler operation
- 700V AC/DC rating gives greater design versatility
- Ultra compact sizes allow down-sizing of existing equipment

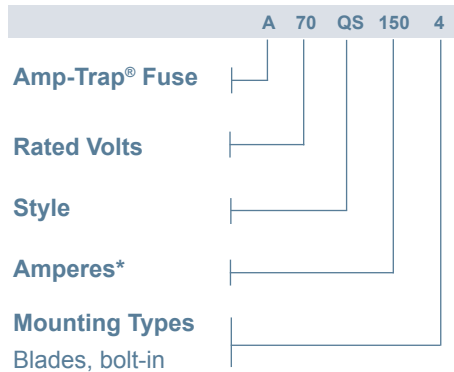
Highlights:

- 700V AC/DC rated
- Very low I²t
- Low watts loss
- Superior cycling ability
- All available with indicator (IL)

Applications:

- Protection of 700V or less motor drives, UPS, inverters, etc.

Catalog Numbering System



Single Pole Fuse Blocks for A70QS Fuses

Fuse Mounting Type	Fuse Ampere Rating	Catalog No.
A70QS-4	35-200	P243C
A70QS-4K	125-200	P266A
A70QS-4	225-600	P266A
A70QS-4K	450-600	FH70F3
A70QS-4	700-800	ISC375



Ratings:

Volts : 700VAC / DC

Amps : 35 to 800A

I.R. : 200kA I.R. AC

: 100kA I.R. DC

L/R : 10ms

Approvals:

- UL recognized component, AC/DC UL file E60314
- AC: guide no. JFHR2
- DC: tested to UL standard 198L parameters (35-800A)
- CSA certified File LR 12636



A70QS Amp-Trap® Form 101

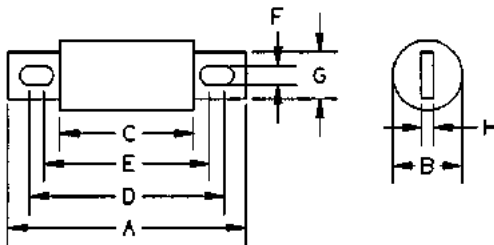
Catalog Numbers (amps)

A70QS35-4	A70QS100-4	A70QS200-4	A70QS450-4K
A70QS40-4	A70QS125-4	A70QS200-4K	A70QS500-4
A70QS50-4	A70QS125-4K	A70QS250-4	A70QS500-4K
A70QS60-4	A70QS150-4	A70QS300-4	A70QS600-4
A70QS70-4	A70QS150-4K	A70QS350-4	A70QS600-4K
A70QS80-4	A70QS175-4	A70QS400-4	A70QS700-4
A70QS90-4	A70QS175-4K	A70QS450-4	A70QS800-4

* For ampere ratings and styles not listed (including indicators), call Technical Services at 978-465-4853.

Dimensions

Outline Ref.	Mounting Type	Dimensions - Inches (mm)							
		A	B	C	D	E	F	G	H
A70QS35 to 100	4	4.38 (111)	1.00 (25.4)	2.88 (73.0)	3.69 (93.6)	3.50 (88.9)	0.31 (7.9)	0.75 (19.0)	0.13 (3.2)
A70QS125 to 200	4	4.38 (111)	1.22 (31.0)	2.88 (73.0)	3.69 (93.6)	3.56 (90.5)	0.31 (7.9)	1.00 (25.4)	0.19 (4.8)
A70QS125 to 200	4K	5.09 (129)	1.22 (31.0)	2.88 (73.0)	4.19 (106)	3.50 (88.0)	0.41 (10.3)	1.00 (25.4)	0.19 (4.8)
A70QS225 to 400	4	5.09 (129)	1.50 (38.1)	2.84 (72.2)	4.16 (106)	3.53 (89.7)	0.40 (10.3)	1.00 (25.4)	0.25 (6.4)
A70QS450 to 600	4	5.09 (129)	2.00 (50.8)	2.84 (72.2)	4.16 (106)	3.53 (89.7)	0.41 (10.3)	1.50 (38.1)	0.25 (6.4)
A70QS450 to 600	4K	7.09 (180)	2.00 (50.8)	2.84 (72.2)	6.16 (156)	3.53 (89.7)	0.53 (13.5)	1.50 (38.1)	0.25 (6.4)
A70QS700 to 800	4	7.09 (180)	2.50 (63.5)	2.84 (72.2)	5.28 (134)	4.91 (125)	0.53 (13.5)	2.00 (50.8)	0.38 (9.5)



A70P Amp-Trap® Form 101

A70P Amp-Trap® Form 101 Semiconductor Protection fuses were developed for higher voltage AC and DC drives, UPS systems, reduced voltage motor starters and similar applications where lower I²t and superior reliability are needed. A70P is a very popular fuse, available in a wide range of ratings. Typically used for replacement.

Features/Benefits:

- Low I²t minimizes damage to protected components on short circuit
- Controlled arc voltage reduces stress to circuit components during fuse clearing
- Choice of mounting types helps in equipment design

Highlights:

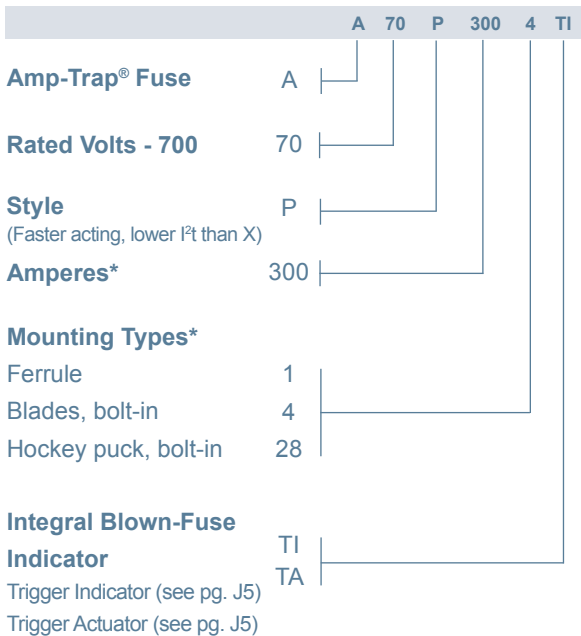
- Very fast acting
- Current limiting
- Low I²t
- Indicator options available

Applications:

- Protection of 700V or less DC drives, UPS, inverters, reduced voltage starters, etc.

**Contact technical services for application data.*

Catalog Numbering System



** For ampere ratings and styles not listed, call Technical Services at 978-465-4853.*

Single Pole Fuse Blocks for A70P Fuses

Fuse Ampere Rating	Catalog No.
10-30 (Type 1)	70316
31-60	P243C
61-100	P243C
101-200	P266A
201-400	P266A
401-600	P266F
601-800	1SC375



Ratings:

- Volts** : 700VAC
: 650VDC
- Amps** : 10 to 1000A (AC)
: 10 to 800A (DC)
- I.R.** : 100kA I.R. AC
: 100kA I.R. DC
- L/R** : 10ms

Approvals:

- UL recognized component UL File E60314
- AC: guide no. JFHR2 (10-1000A)
- DC: tested to UL standard 198L parameters (10-800A)



A70P Amp-Trap® Form 101

Catalog Numbers (amps)

Catalog No.	Dimen. Fig.	Catalog No.	Dimen. Fig.	Catalog No.	Dimen. Fig.
A70P10-1	1	A70P80-4	3	A70P300-4	3
A70P10-4	2	A70P80-4TA	4	A70P350-4	3
A70P15-1	1	A70P80-4TI	3	A70P400-4	3
A70P15-4	2	A70P90-4	3	A70P400-4TA	4
A70P20-1	1	A70P100-4	3	A70P400-4TI	3
A70P25-1	1	A70P100-4TA	4	A70P450-4	3
A70P25-4	2	A70P125-4	3	A70P500-4	3
A70P30-1	1	A70P125-4TA	4	A70P600-4	3
A70P30-4	2	A70P150-4	3	A70P600-4TA	4
A70P35-4	3	A70P150-4TA	4	A70P600-4TI	3
A70P40-4	3	A70P150-4TI	3	A70P700-4	5
A70P40-4TA	4	A70P175-4	3	A70P700-4TI	5
A70P40-4TI	3	A70P200-4	3	A70P800-4	5
A70P50-4	3	A70P200-4TA	4	A70P800-4TI	5
A70P60-4	3	A70P200-4TI	3	A70P900-4	6
A70P60-4TA	4	A70P225-4	3	A70P1000-4	6
A70P60-4TI	3	A70P250-4	3		
A70P70-4	3	A70P250-4TA	4		
A70P70-4TI	3	A70P250-4TI	3		

* For ampere ratings and styles not listed, call Technical Services at 978-465-4853.

Dimensions

Outline Ref.	Mounting Type	Fig.	Dimensions - Inches (mm)									
			A	B	C	D	E	F	G	H	J	
A70P10 to 30	1	1	2.00 (50.8)	.56 (14.2)	-	-	-	-	-	-	-	-
A70P10 to 30	4	2	2.88 (73.2)	.56 (14.2)	1.88 (47.8)	2.50 (63.5)	-	.27 (6.9)	.41 (10.4)	-	-	-
A70P35 to 60	4, 4TA*, 4TI	3, 4*	4.38 (111)	1.00 (25.4)	2.88 (73.2)	3.69 (93.7)	3.56 (90.4)	.31 (7.9)	.75 (19.1)	.06 (1.5)	-	-
A70P70 to 100	4, 4TA*, 4TI	3, 4*	4.38 (111)	1.22 (31.0)	2.88 (73.2)	3.69 (93.7)	3.56 (90.4)	.31 (7.9)	1.00 (25.4)	.19 (4.8)	-	-
A70P125 to 200	4, 4TA*, 4TI	3, 4*	5.09 (129)	1.50 (38.1)	2.84 (72.1)	4.16 (106)	3.53 (89.7)	.41 (10.4)	1.00 (25.4)	.25 (6.4)	-	-
A70P225 to 400	4, 4TA*, 4TI	3, 4*	5.09 (129)	2.00 (50.8)	2.84 (72.1)	4.16 (106)	3.53 (89.7)	.41 (10.4)	1.50 (38.1)	.24 (6.4)	-	-
A70P450 to 600	4, 4TA*, 4TI	3, 4*	7.09 (180)	2.50 (63.5)	2.84 (72.1)	5.25 (133)	4.94 (125)	.53 (13.5)	2.00 (50.8)	.38 (9.7)	-	-
A70P700 to 800	4, 4TI	5	6.81 (173)	2.88 (73.2)	3.31 (84.1)	5.31 (135)	-	.63 (16.0)	2.00 (50.8)	.38 (9.7)	.31 (7.9)	-
A70P900 to 1000	4, 4TI	6	7.59 (193)	3.50 (88.9)	3.84 (97.5)	5.97 (152)	5.22 (133)	.63 (16.0)	2.75 (69.9)	.50 (12.7)	1.38 (35.1)	-

* Optional Trigger Actuator (TA)

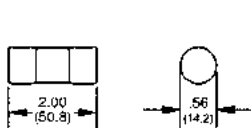


Figure 1

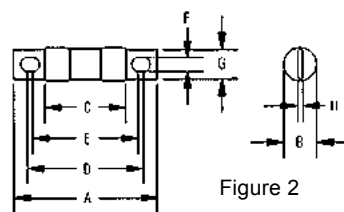


Figure 2

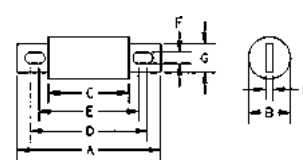


Figure 3

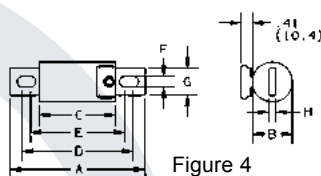


Figure 4

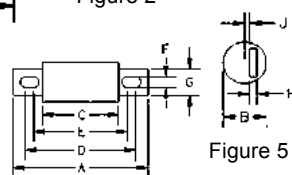


Figure 5

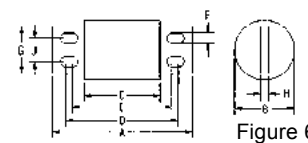


Figure 6

A70Q Amp-Trap® Form 101

A70Q Amp-Trap® Semiconductor Protection fuses were developed for inverter applications requiring extremely low I²t. A70Q fuses provide the most responsive protection for applications not required to sustain heavy overloads. Typically used for replacement purposes.

Features/Benefits:

- Lowest I²t of any fuse in this voltage rating for best overall protection
- 700V AC, 650V DC rating allows protection of greater variety of circuits
- Solid fill technology for extra reliability in performance

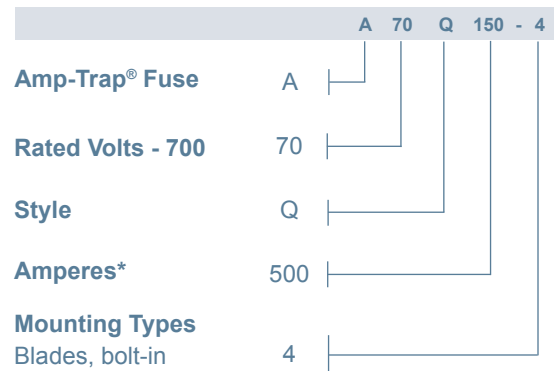
Highlights:

- Extremely fast acting
- Current limiting
- Lowest I²t

Applications:

- Protection of inverters and other equipment requiring the best AC or DC protection in this voltage range

Catalog Numbering System



* For ampere ratings and styles not listed, call Technical Services at 978-465-4853.

Single Pole Fuse Blocks for A70Q Fuses

Fuse Ampere Rating	Fuse Block Catalog No.
35-100	P243C
125-400	P266A
450-600	P266F



Ratings:

Volts : 700VAC
: 650VDC
Amps : 35 to 600A
I.R. : 100kA I.R. AC / DC
L/R : 10ms

Approvals:

- UL recognized component
UL File E60314
- AC: guide no. JFHR2
- DC: tested to UL standard 198L parameters (35-600A)



A70Q Amp-Trap® Form 101

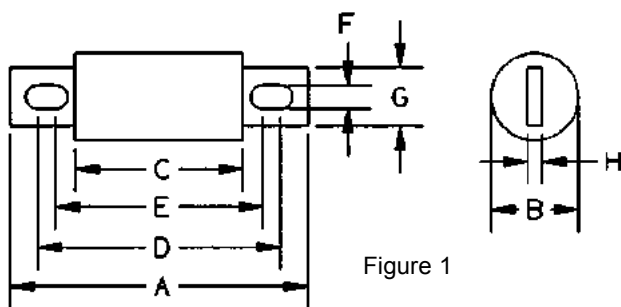
Catalog Numbers (amps)

A70Q35-4	A70Q100-4	A70Q350-4
A70Q40-4	A70Q125-4	A70Q400-4
A70Q50-4	A70Q150-4	A70Q450-4
A70Q60-4	A70Q175-4	A70Q500-4
A70Q70-4	A70Q200-4	A70Q600-4
A70Q80-4	A70Q250-4	
A70Q90-4	A70Q300-4	

* For ampere ratings and styles not listed, call Technical Services at 978-465-4853.

Dimensions

Catalog No.	Mounting Type	Dimensions - Inches (mm)							
		A	B	C	D	E	F	G	H
A70Q35 to 60	4	4.37 (111)	1.22 (31.0)	1.96 (49.8)	3.69 (93.7)	2.91 (73.9)	.34 (8.6)	1.00 (25.4)	.19 (4.8)
A70Q70 to 100	4	4.37 (111)	1.22 (31.0)	1.96 (49.8)	3.69 (93.7)	2.91 (73.9)	.41 (10.4)	1.00 (25.4)	.19 (4.8)
A70Q125 to 200	4	5.09 (129)	1.50 (38.1)	1.96 (49.8)	4.16 (106)	2.91 (73.9)	.41 (10.4)	1.00 (25.4)	.25 (6.4)
A70Q250 to 400	4	5.09 (129)	2.00 (50.8)	1.96 (49.8)	4.00 (102)	2.94 (74.7)	.56 (14.2)	1.50 (38.1)	.25 (6.4)
A70Q450 to 600	4	7.09 (180)	2.50 (63.5)	1.96 (49.8)	5.72 (145)	3.25 (82.6)	.56 (14.2)	2.00 (50.8)	.38 (9.7)



A100P Amp-Trap® Form 101

A100P Amp-Trap® Form 101 Semiconductor Protection fuses are rated 1000V, extending the range of protection for UPS systems, AC and DC drives, reduced voltage motor starters and similar applications where lower I²t and superior reliability are needed. With ratings from 15 through 1000 amperes, a wide range of high voltage applications can be served.

Features/Benefits:

- Low I²t minimizes damage to protected components on short circuit
- Controlled arc voltage reduces stress to circuit components during fuse clearing
- Wide range of ampere ratings

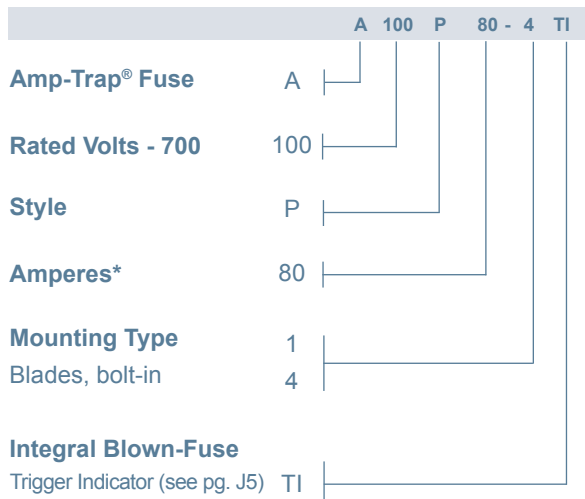
Highlights:

- Fast acting
- Current limiting
- Low I²t
- Optional trigger indicator

Applications:

- Protection of UPS systems AC/DC drives, reduced voltage motor starters and other 1000V or less semiconductor devices

Catalog Numbering System



* For ampere ratings and styles not listed, call Technical Services at 978-465-4853.

Single Pole Fuse Blocks for A100P Fuses

Fuse Ampere Rating	Fuse Block Catalog No.
35-100	P266G
125-400	P266L



Ratings:

- Volts** : 1000VAC
: 750VDC
- Amps** : 15 to 1000A
- I.R.** : 100kA I.R.
- L/R** : 25ms

Approvals:

- UL recognized component File E60314
- AC: UL guide no. JFHR2 (35-600A)
- DC: self-certified



A100P Amp-Trap® Form 101

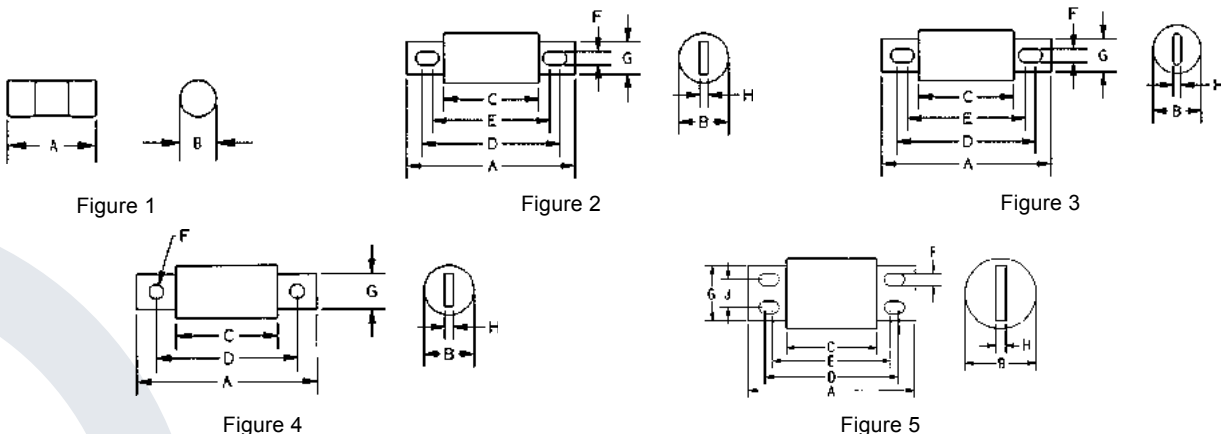
Catalog Numbers (amps)

Catalog No.	Dimen. Fig.	Catalog No.	Dimen. Fig.	Catalog No.	Dimen. Fig.
A100P15-1	1	A100P100-4	2	A100P350-4TI	2
A100P20-1	1	A100P100-4TI	2	A100P400-4	2
A100P25-1	1	A100P125-4	2	A100P400-4TI	2
A100P30-1	1	A100P125-4TI	2	A100P500-4	3
A100P35-4	2	A100P150-4	2	A100P500-4TI	3
A100P40-4	2	A100P150-4TI	2	A100P600-4	3
A100P50-4	2	A100P200-4	2	A100P600-4TI	3
A100P50-4TI	2	A100P200-4TI	2	A100P650-4	4
A100P60-4	2	A100P225-4	2	A100P700-4	4
A100P60-4TI	2	A100P250-4	2	A100P800-4	4
A100P70-4TI	2	A100P300-4	2	A100P800-4TI	4
A100P80-4	2	A100P300-4TI	2	A100P1000-4	5
A100P80-4TI	2	A100P350-4	2		

* For ampere ratings and styles not listed, call Technical Services at 978-465-4853.

Dimensions

Outline Ref.	Mounting Type	Fig.	Dimensions - Inches (mm)								
			A	B	C	D	E	F	G	H	J
A100P15 to 30	1	1	2.63 (66.8)	0.56 (14.2)	-	-	-	-	-	-	-
A100P35 to 60	4, 4TI	2	5.00 (127)	1.00 (25.4)	3.50 (173)	4.31 (109)	4.19 (106)	0.31 (7.9)	0.75 (19.1)	0.13 (3.3)	-
A100P65 to 100	4, 4TI	2	5.00 (127)	1.22 (31.0)	3.50 (173)	4.31 (109)	4.19 (106)	0.31 (7.9)	1.00 (25.4)	0.19 (4.8)	-
A100P125 to 200	4, 4TI	2	5.72 (145)	1.50 (38.1)	3.47 (88.1)	4.78 (121)	4.16 (106)	0.41 (10.4)	1.00 (25.4)	0.25 (6.4)	-
A100P225 to 400	4, 4TI	2	5.72 (145)	2.00 (50.8)	3.47 (88.1)	4.78 (121)	4.16 (106)	0.41 (10.4)	1.50 (25.4)	0.25 (6.4)	-
A100P500 to 600	4, 4TI	3	7.72 (196)	2.50 (63.5)	3.47 (88.1)	5.88 (149)	5.56 (141)	0.53 (13.5)	2.00 (50.8)	0.38 (9.7)	-
A100P650 to 800	4, 4TI	4	7.44 (189)	2.88 (73.2)	3.94 (100)	5.94 (151)	-	0.63 (16.0)	2.00 (50.8)	0.38 (9.7)	-
A100P1000	4	5	8.22 (209)	3.38 (85.9)	4.47 (114)	6.59 (167)	5.84 (148)	0.63 (16.0)	2.75 (69.9)	0.50 (12.7)	1.38 (35.1)



A120X Amp-Trap® Form 101

A120X Amp-Trap® Form 101 Semiconductor Protection fuses, rated 1/2A through 30A, 1200VAC are popular for use in traction drive auxiliary circuits and similar applications. A120X fuses are also suitable for use on 1000VDC auxiliary circuits with low time constants.

Features/Benefits:

- 1000V DC rated for wide range of circuits
- Compact size fits in where competitive sizes will not fit

Highlights:

- Fast acting
- Current limiting
- Low I^2t
- Compact size

Applications:

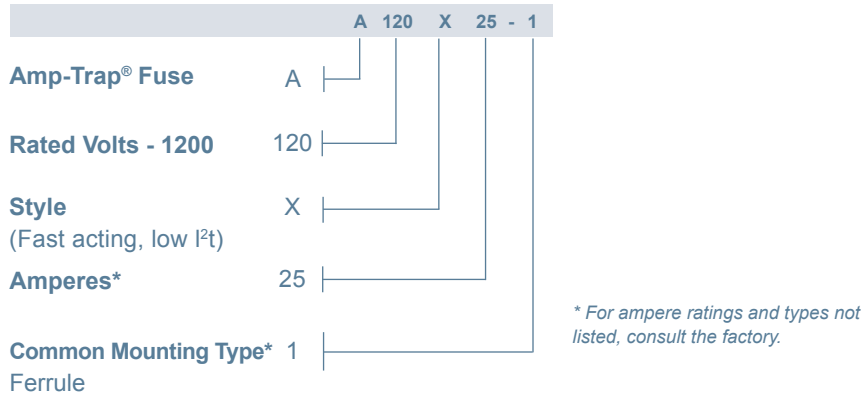
- Protection of traction drive auxiliary circuits, etc.



Ratings:

Volts	: 1200VAC
	: 1000VDC
Amps	: 1/2 to 30A
I.R.	: 100kA I.R. AC
	: 100kA I.R. DC
L/R	: 10ms

Catalog Numbering System



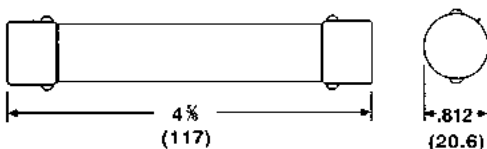
Single Pole Fuse Blocks for A120X Fuses

Ampere Rating	Catalog No.
1/2-30	P292

Catalog Numbers (amps)

A120X1/2-1	A120X6-1
A120X1-1	A120X10-1
A120X2-1	A120X15-1
A120X3-1	A120X20-1
A120X4-1	A120X25-1
A120X5-1	A120X30-1

Dimensions - In (mm)



Approvals:

- UL recognized component
File E 60314



A150X Amp-Trap® Form 101

A150X Amp-Trap® Form 101 Semiconductor Protection fuses, rated up to 1000A, 1500VAC are suitable for traction drive and auxiliary circuits and for High Voltage Heavy duty rectifier applications. A150X fuses are suitable for use up to 1500VDC on circuits depending on time constant.

Features/Benefits:

- 1500V AC rated for wide range of applications
- Heavy duty links
- Rugged fiberglass body

Highlights:

- Fast acting
- Current limiting
- Low I^2t

Applications:

- Protection of traction drive and auxiliary circuits, etc.

Catalog Numbers (amps)

Catalog No.	Dimen. Fig.	Catalog No.	Dimen. Fig.
A150X1-1	1	A150X90-4	2
A150X15-1	1	A150X100-4	2
A150X15-4	2	A150X125-4	2
A150X20-1	1	A150X150-4	2
A150X20-4	2	A150X175-4	2
A150X25-4	2	A150X200-4	2
A150X30-1	1	A150X250-4	2
A150X40-4	2	A150X300-4	2
A150X35-4	2	A150X400-4	2
A150X40-4	2	A150X450-4	2
A150X50-4	2	A150X500-4	2
A150X60-4	2	A150X600-4	2
A150X70-4	2	A150X800-4	2
A150X80-4	2	A150X1000-4	2

Dimensions

Outline Ref.	Mounting Type	Fig.	Dimensions - Inches (mm)											
			A	B	C	D	E	F	G	H	J			
A150X1 to 30	1	1	6.13 (155.7)	.82 (20.8)										
A150X15 to 60	4	2	7.15 (182)	1.21 (31)	5.62 (143)	6.46 (164)	6.34 (161)	0.31 (8)	1.00 (25)	0.18 (3)	-			
A150X70 to 100	4	2	7.87 (200)	1.50 (38)	5.62 (143)	6.93 (176)	6.31 (160)	0.40 (10)	1.00 (25)	.025 (6)	-			
A150X125 to 300	4	2	7.87 (200)	2.00 (51)	5.62 (143)	6.93 (176)	6.31 (160)	0.40 (10)	1.50 (38)	0.25 (6)	-			
A150X400 to 600	4	2	9.75 (248)	2.50 (64)	6.62 (168)	8.31 (211)	8.06 (205)	0.56 (14)	2.00 (51)	0.25 (6)	-			
A150X800 to 1000	4	3	9.87 (251)	3.50 (89)	6.12 (155)	8.03 (204)	7.71 (196)	0.56 (14)	2.75 (70)	0.37 (9)	1.37 (35)			



Ratings:

Volts : 1500VAC
 : 1000VDC
 Amps : 1A to 1000A
 I.R. : 100kA I.R. AC
 : 100kA I.R. DC

Approvals:

- Self-certified

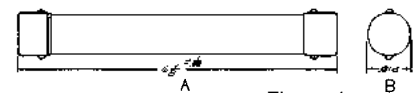


Figure 1

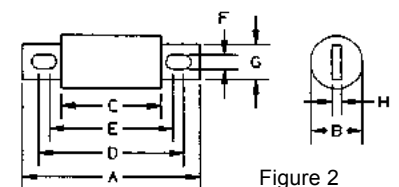


Figure 2

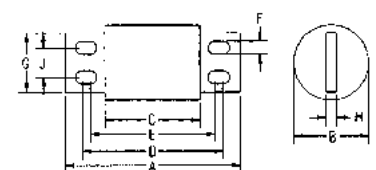


Figure 2

6,9 gRB-URB European Semiconductor Fuses

690V

gRB-URB FROM 12 TO 100A

Size: 17 x 49

Features/Benefits:

- Extremely high Interrupting rating
- Protection of power semiconductors as per IEC standard 269.4
- 690V rating as per IEC 33
- gR class [current rating 12 to 90A] as per VDE 636-23
 - Full range protection
 - Improved safety and protection
 - Allows selective coordination
- aR class [current rating 100A] according to VDE 636-23 and IEC 269.4
- Connections as per:
 - German Standard DIN 43653/00C
 - British Standard BS 88-4
- These fuses are UL recognized



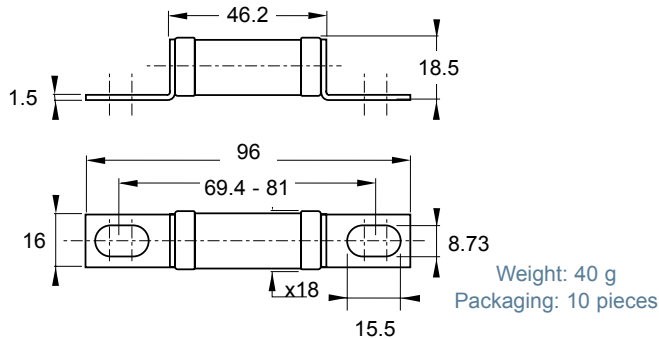
Applications Data

Voltage Rating UN(V)	Class	Current Rating I _N (A)	Melting I ² t @ 1 ms (A ² s)	Total Clearing I ² t @ Rated Voltage (A ² s)	Watts Loss		Tested Interrupting Rating	Estimated Interrupting Rating
					0.8 I _N	I _N		
690	gRB	12	4.2	30	1.95	3.5	200 kA @ 690 V	300 kA @ 690 V
		16	9.6	65	2.2	4.0		
		20	17.1	110	3.0	5.5		
		25	26.8	170	4.4	8.0		
		32	52.5	330	5.0	9.0		
		35	69	430	5.2	9.5		
		40	96	610	5.8	10.5		
		45	130	820	6.3	11.5		
		50	154	970	7.2	13		
		55	210	1320	7.4	13.5		
		63	310	1950	8.0	14.5		
690	URB	90	840	5300	11	20		
		100	965	6150	13	23.5		

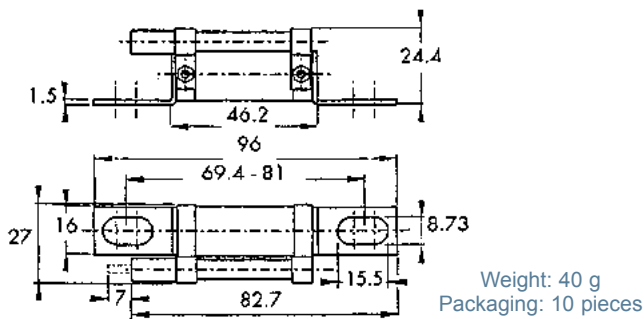
Minimum operating voltage for separate trip-indicator: 20 V

6,9 gRB-URB European Semiconductor Fuses

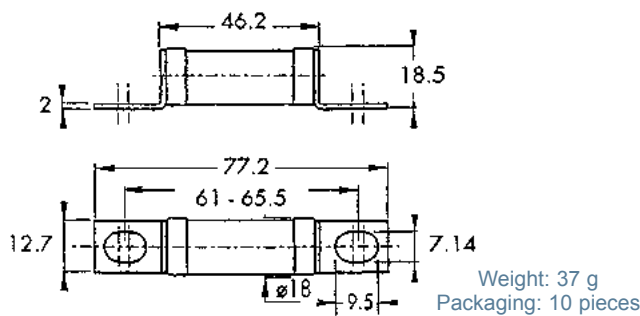
German Standard without Blown Fuse Indication



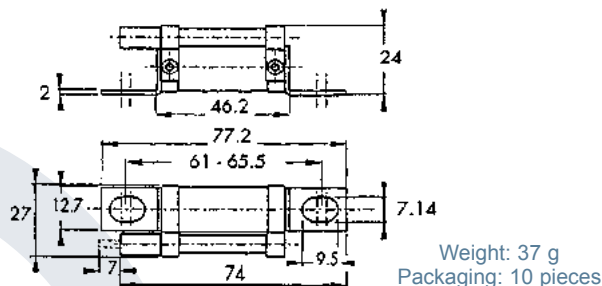
German Standard with Separate Blown Fuse Trip-Indicator DIN 43623/00C



British Standard without Blown Fuse Indication



British Standard with Separate Blown Fuse Trip-Indicator BS 88-4



Current Rating	Description	Catalog No.
12	6,9 gRB 17 DO8/12	M220972
16	6,9 gRB 17 DO8/16	N220973
20	6,9 gRB 17 DO8/20	P220974
25	6,9 gRB 17 DO8/25	Q22097a5
32	6,9 gRB 17 DO8/32	R220976
35	6,9 gRB 17 DO8/35	S220977
40	6,9 gRB 17 DO8/40	T220978
45	6,9 gRB 17 DO8/45	V220979
50	6,9 gRB 17 DO8/50	W220980
55	6,9 gRB 17 DO8/55	X220981
63	6,9 gRB 17 DO8/63	Y220982
75	6,9 gRB 17 DO8/75	Z220983
80	6,9 gRB 17 DO8/80	A220984
90	6,9 gRB 17 DO8/90	B220985
100	6,9 URB 17 DO8/100	C220986

Current Rating	Description	Catalog No.
12	6,9 gRB 17 DO8P 12	X221004
16	6,9 gRB 17 DO8P 16	Y221005
20	6,9 gRB 17 DO8P 20	Z221006
25	6,9 gRB 17 DO8P 25	A221007
32	6,9 gRB 17 DO8P 32	B221008
35	6,9 gRB 17 DO8 P 35	C221009
40	6,9 gRB 17 DO8P 40	D221010
45	6,9 gRB 17 DO8P 45	E221011
50	6,9 gRB 17 DO8P 50	F221012
55	6,9 gRB 17 DO8P 55	G221013
63	6,9 gRB 17 DO8P 63	H221014
75	6,9 gRB 17 DO8P 75	J221015
80	6,9 gRB 17 DO8P 80	K221016
90	6,9 gRB 17 DO8P 90	L221017
100	6,9 URB 17 DO8P 100	M221018

Current Rating	Description	Catalog No.
12	6,9 gRB 17/12	W220957
16	6,9 gRB 17/16	X220958
20	6,9 gRB 17/20	Y220959
25	6,9 gRB 17/25	Z220960
32	6,9 gRB 17/32	A220961
35	6,9 gRB 17/35	B220962
40	6,9 gRB 17/40	C220963
45	6,9 gRB 17/45	D220964
50	6,9 gRB 17/50	E220965
55	6,9 gRB 17/55	F220966
63	6,9 gRB 17/63	G220967
75	6,9 gRB 17/75	H220968
80	6,9 gRB 17/80	J220969
90	6,9 gRB 17/90	K220970
100	6,9 URB 17/100	L220971

Current Rating	Description	Catalog No.
12	6,9 gRB 17P12	D220987
16	6,9 gRB 17P16	E220988
20	6,9 gRB 17P20	F220989
25	6,9 gRB 17P25	G220990
32	6,9 gRB 17P32	H220991
35	6,9 gRB 17P35	J220992
40	6,9 gRB 17P40	K220993
45	6,9 gRB 17P45	L220994
50	6,9 gRB 17P50	M220995
55	6,9 gRB 17P55	N220996
63	6,9 gRB 17P63	P220997
75	6,9 gRB 17P75	Q220998
80	6,9 gRB 17P80	R220999
90	6,9 gRB 17P90	S221000
100	6,9 URB 17P100	T221001

6,9 gRB-URB DIN German Standard

German Standard

500 - 690V AC

gRB-URB FROM 20 TO 400A

Size: 000

Features/Benefits:

- Extremely high interrupting rating
- Protection of power semiconductors according to IEC 269.1 and EN 60269.4
- 500-690V [Rating 20 to 400A]
- gR class [gRB Ratings 20 to 125A] according to VDE 636-23
 - Full range protection
 - Improved safety and protection
 - Allows selective coordination
- aR class [current rating 80 to 400A] according to VDE 636-23 and IEC 269.4
- 3 models complying with DIN 43653-00C are:
 - With or without blown fuse indication
 - With trip indicator
- Model complying with DIN 43620 (00C)
 - Standard with or without blown fuse indication
 - With trip indicator



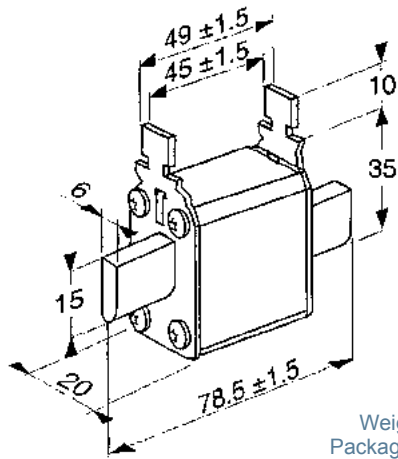
Applications Data

Voltage Rating U_N (V)	Class	Current Rating I_N (A)	Melting I^2t @ 1 ms (A ² s)	Total Clearing I^2t @ Rated Voltage (A ² s)	Watts Loss		Tested Interrupting Rating	Estimated Interrupting Rating
					0.8 I_N	I_N		
690	gRB	20	12	80	3.8	7	200 kA @ 660 V	300 kA @ 660 V
		25	20	150	5.0	9		
		32	39	270	5.5	10		
		40	70	460	6.6	12		
		50	102	730	7.7	14		
		63	210	1500	8.8	16		
		80	475	2900	9.9	18		
		100	970	6000	11	20		
690	URB	80	390	2500	11.6	21	120 kA @ 500 V	
		100	690	4200	12.7	23		
		125	1300	8900	14.3	26		
		160	2700	16000	17.0	31		
		200	5250	31500	19.8	36		
660		315	15500	82000	31.9	58		
500		350	22400	110000	31.9	58		
		400	33200	160000	36.3	66		

Minimum operating voltage for blown fuse indicator: 20 V

6,9 gRB-URB DIN German Standard

German Standard Blade-Type DIN 43620**



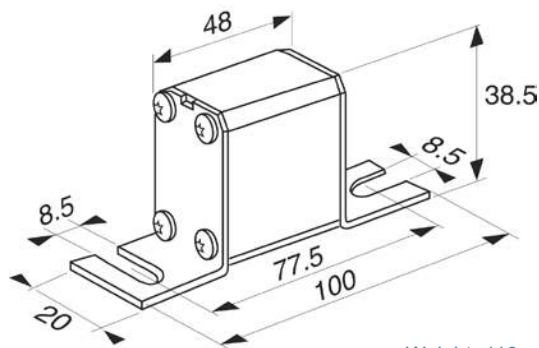
Weight: 150 g
Packaging: 3 pieces

Microswitches
MS 4L 2-5 B6 + PRES Ref. F210156
MS 4L 2-5 B2 + PRES Ref. G210157
* Fuse Base: 41002-G

Size	Description	Cat. No.	CI/I _N
16	6,9 GRB 000 PV 016	Y210609	1
20	6,9 GRB 000 PV 020	Z210610	1
25	6,9 GRB 000 PV 025	A210611	1
32	6,9 GRB 000 PV 032	B210612	1
40	6,9 GRB 000 PV 040	C210613	1
50	6,9 GRB 000 PV 050	D210614	1
63	6,9 GRB 000 PV 063	E210615	1
80	6,9 GRB 000 PV 080	F210616	1
100	6,9 GRB 000 PV 100	G210617	1
125	6,9 GRB 000 PV 125	H210618	1
80	6,9 URD 000 PV 0080	Q320059	1
100	6,9 URD 000 PV 0100	V320063	1
125	6,9 URD 000 PV 0125	X320065	0,95
160	6,9 URD 000 PV 0160	B320069	0,85
200	6,9 URD 000 PV 0200	D320071	0,85
250	6,9 URD 000 PV 0250	H320075	0,8
315	6,9 URD 000 PV 0315	M320079	0,7
350	5 URB 000 PV 350	R210626	0,7
400	5 URB 000 PV 400	S210627	0,65

These fuses are not UL recognized.

German Standard without Blown Fuse Indicator



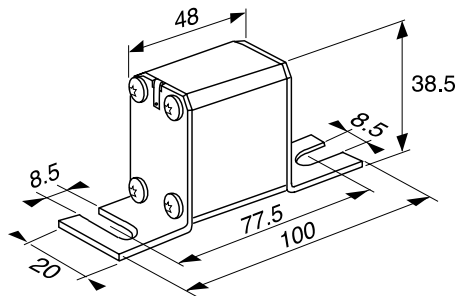
Weight: 110 g
Packaging: 6 pieces

* Fuse Base: SI 000 DIN 80
Ref. Number: C 220710

Size	Description	Cat. No.	CI/I _N
20	6,9 GRB 000 D08 / 020	D330030	1
25	6,9 GRB 000 D08 / 025	E330031	1
32	6,9 GRB 000 D08 / 032	F330032	1
40	6,9 GRB 000 D08 / 040	G330033	1
50	6,9 GRB 000 D08 / 050	H330034	1
63	6,9 GRB 000 D08 / 063	J330035	1
80	6,9 GRB 000 D08 / 080	A330073	1
100	6,9 GRB 000 D08 / 100	S330112	1
125	6,9 GRB 000 D08 / 125	T330113	0,9
80	6,9 URB 000 D08 / 080	K330036	1
100	6,9 URB 000 D08 / 100	L330037	1
125	6,9 URB 000 D08 / 120	M330038	0,9
160	6,9 URB 000 D08 / 160	N330039	0,85
200	6,9 URB 000 D08 / 200	P330040	0,85
250	6,9 URB 000 D08 / 250	Q330041	0,8
315	6,9 URB 000 D08 / 315	R330042	0,7
350	5 URB 000 D08 / 350	V330114	0,7
400	5 URB 000 D08 / 400	D330191	0,65

6,9 gRB-URB DIN German Standard

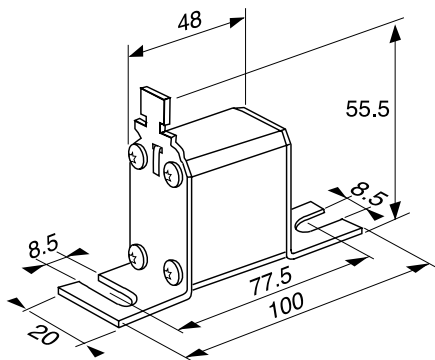
German Standard with Blown Fuse Indication



Current Rating	Description	Cat. No.	I/N Fuse Base*
20	6,9 gRB 000 DO8V/020	P330017	1
25	6,9 gRB 000 DO8V/025	Q330018	1
32	6,9 gRB 000 DO8V/032	R330019	1
40	6,9 gRB 000 DO8V/040	S330020	1
50	6,9 gRB 000 DO8V/050	T330021	1
63	6,9 gRB 000 DO8V/063	V330022	1
80	6,9 gRB 000 DO8V/080	G330102	1
100	6,9 gRB 000 DO8V/100	Q330110	1
125	6,9 gRB 000 DO8V/125	R330111	0,9
80	6,9 URB 000 DO8V/080	W330023	1
100	6,9 URB 000 DO8V/100	X330024	1
125	6,9 URB 000 DO8V/125	Y330025	0,95
160	6,9 URB 000 DO8V/160	Z330026	0,85
200	6,9 URB 000 DO8V/200	A330027	0,85
250	6,9 URB 000 DO8V/250	B330028	0,8
315	6,9 URB 000 DO8V/315	C330029	0,7
350	5 URB 000 DO8V/350	W330115	0,7
400	5 URB 000 DO8V/400	E330192	0,65

*Fuse Base: SI 000 DIN 80
Ref. Number: C 220710

German Standard with Separate Blown Fuse Trip-Indicator



Current Rating	Description	Cat. No.	I/N Fuse Base*
20	6,9 gRB 000 DO8L/020	J330173	1
25	6,9 gRB 000 DO8L/025	K330174	1
32	6,9 gRB 000 DO8L/032	L330175	1
40	6,9 gRB 000 DO8L/040	M330176	1
50	6,9 gRB 000 DO8L/050	N330177	1
63	6,9 gRB 000 DO8L/063	P330178	1
80	6,9 gRB 000 DO8L/080	Q330179	1
100	6,9 gRB 000 DO8L/100	R330180	1
125	6,9 gRB 000 DO8L/125	S330181	0,9
80	6,9 URB 000 DO8L/080	T330182	1
100	6,9 URB 000 DO8L/100	V330183	1
125	6,9 URB 000 DO8L/125	W330184	0,9
160	6,9 URB 000 DO8L/160	X330185	0,85
200	6,9 URB 000 DO8L/200	Y330186	0,85
250	6,9 URB 000 DO8L/250	Z330187	0,8
315	6,9 URB 000 DO8L/315	A330188	0,7
350	5 URB 000 DO8L/350	B330189	0,7
400	5 URB 000 DO8L/400	F330193	0,65

Microswitch
MC 4L 2-5 B6 + PRES Ref. Number: F210156
MC 4L 2-5 B2 + PRES Ref. Number: G210157
*Fuse Base: SI 000 DIN 80 Ref. Number: C220710

BS88 British Standard

Protistor® Fuses
500-690V AC
gRB/URB from 20 to 400A
Size: 000

Features/Benefits:

- Extremely high interrupting rating
- Protection of power semiconductors according to IEC 269.1 and EN 60269.4
- 500-690V (rating 20 to 400A)
- gR class (gRB Ratings 20 to 125A) according to VDE 636-23.
 - Full range protection
 - Improving safety and protection
 - Allows selective coordination
- aR class (URB ratings 75 to 400A) according to VDE 636-23 and IEC 269.4
- Two models according to BS 88-4 and EN 60 269.4 standards: Z3 drawing (74mm between axes) external open fuse with and without indicator

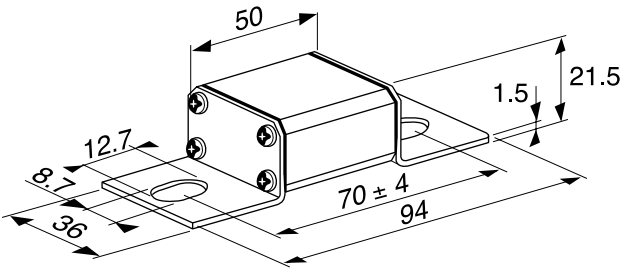


Applications Data

Voltage Rating U_N (V)	Class	Current Rating I_N (A)	Melting I^2t @ 1 ms (A ² s)	Total Clearing I^2t @ UN I^2t_d (A ² s)	Watts Loss		Tested Interrupting Rating	Estimated Interrupting Rating
					0.8 I_N	I_N		
690	gRB	20	12	80	3.8	7	200 kA @ 660 V	300 kA @ 660 V
		25	20	150	5.0	9		
		32	39	270	5.5	10		
		40	70	460	6.6	12		
		50	102	730	7.7	14		
		63	210	1500	8.8	16		
		80	475	2900	9.9	18		
		100	970	6000	11	20		
		125	1900	11800	11.6	21		
690	URB	75	350	2250	11.2	20.5	120 kA @ 500 V	
		80	390	2500	11.6	21		
		100	690	4200	12.7	23		
		110	950	6800	13.5	24.5		
		125	1300	8900	14.3	26		
		160	2700	16000	17.0	31		
		200	5250	31500	19.8	36		
250	9900	52000	24.8	45				
660		315	15500	82000	31.9	58	120 kA @ 500 V	
500		350	22400	110000	31.9	58		
		400		160000	36.3	66		

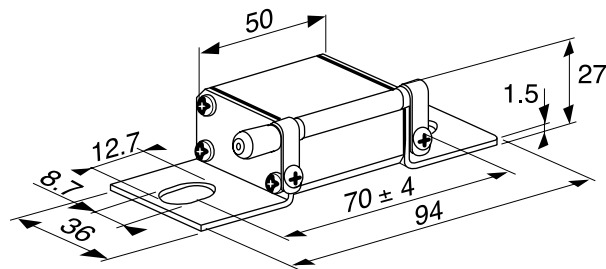
BS88 British Standard

British Standard without Open Fuse Indicator



Current Rating	Description	Cat. No.
20	6,9 gRB 000 BS88/020	T330044
25	6,9 gRB 000 BS88/025	V330045
32	6,9 gRB 000 BS88/032	W330046
40	6,9 gRB 000 BS88/040	X330047
50	6,9 gRB 000 BS88/050	Z330049
63	6,9 gRB 000 BS88/063	A330050
80	6,9 gRB 000 BS88/080	N330108
100	6,9 gRB 000 BS88/100	H330103
125	6,9 gRB 000 BS88/125	P330109
75	6,9 URB 000 BS88/075	B330051
80	6,9 URB 000 BS88/080	C330052
100	6,9 URB 000 BS88/100	D330053
110	6,9 URB 000 BS88/110	E330100
125	6,9 URB 000 BS88/125	E330054
150	6,9 URB 000 BS88/150	F330101
160	6,9 URB 000 BS88/160	F330055
200	6,9 URB 000 BS88/200	G330056
250	6,9 URB 000 BS88/250	H330057
315	6,9 URB 000 BS88/315	J330058
350	5 URB 000 BS88/350	X330116
400	5 URB 000 BS88/400	G330194

British Standard with External Open Fuse Trip-Indicator



Current Rating	Description	Cat. No.
20	6,9 gRB 000 BS88P/020	Y330117
25	6,9 gRB 000 BS88P/025	Z330118
32	6,9 gRB 000 BS88P/032	A330119
40	6,9 gRB 000 BS88P/040	B330120
50	6,9 gRB 000 BS88P/050	C330121
63	6,9 gRB 000 BS88P/063	D330122
80	6,9 gRB 000 BS88P/080	E330123
100	6,9 gRB 000 BS88P/100	F330124
125	6,9 gRB 000 BS88P/125	G330125
75	6,9 URB 000 BS88P/075	H330126
80	6,9 URB 000 BS88P/080	J330127
100	6,9 URB 000 BS88P/100	K330128
110	6,9 URB 000 BS88P/110	L330129
125	6,9 URB 000 BS88P/125	M330130
150	6,9 URB 000 BS88P/150	N330131
160	6,9 URB 000 BS88P/160	P330132
200	6,9 URB 000 BS88P/200	Q330133
250	6,9 URB 000 BS88P/250	R330134
315	6,9 URB 000 BS88P/315	S330135
350	5 URB 000 BS88P/350	T330136
400	5 URB 000 BS88P/400	H330195

The use of MC 6.3 GR 2-5N blown fuse remote sensing microswitch is possible.
 Ref. Number: Y 310015 mounted on separate trip-indicator.
 See Microswitch section page J10, J12.

Size 00 British Standard

Protistor® Fuses

690V

gRB-URB from 16 to 450A

Size: 00

Features/Benefits:

- Extremely high Interrupting rating
- Protection of power semiconductors according to IEC 269.1 and 4
- 690V
- gR class [gRB ratings 16 to 160 A] according to VDE 636-23
 - Full range protection
 - Improving safety and protection
 - Allows selective coordination
- aR class [URC and URD Ratings 16 to 450A] according to VDE 636-23 and IEC 269.4
- Connections according to:
 - DIN 43653/00C 80 and 110mm between axes
 - DIN 43620/00C solid blades
- Optional pin indicator for operating a microswitch



Applications Data

Voltage Rating U_N (V)	Class	Current Rating I_N (A)	Melting I^2t @ 1 ms (A ² s)	Total Clearing I^2t @ UN I^2t_p (A ² s)	Watts Loss		Tested Interrupting Rating	Estimated Interrupting Rating
					0.8 I_N	I_N		
690	gRB	16	8	61	2.7	5	200kA @ 690V	300kA @ 690V
		20	12	86	3.3	6		
		25	18	140	4.4	8		
		32	39	250	6.0	11		
		40	68	450	7.1	13		
		50	116	750	8.8	16		
		63	210	1400	9.9	18		
		80	525	3000	10.5	19		
		100	970	5400	10.7	19.5		
		125	1710	9600	13.2	24		
	160	4270	22400	13.7	25			
	URB	16	7	52	3.8	7		
		20	10	75	5.0	9		
		25	15	120	6.0	11		
		32	32	210	8.2	15		
		40	61	400	9.9	18		
		50	102	700	11.5	21		
		63	177	1200	12.6	23		
		80	390	2200	13.8	25		
		100	692	3900	15.4	28		
125		1170	6600	18.1	33			
160	2680	14 000	19.8	36				
200	4690	24 000	23.1	42				
250	8300	42 500	27.5	50				
315	17 520	81 000	31.9	58				
350*	25 450	118 000	33.0	60				
400*	33 200	150 000	38.5	70				
600	450**	51 850	225 000	40.7	74	200kA @ 600V	300kA @ 600V	

* Voltage rating: 690V with CC' at 1s - 450V with CC' at 10 s

**Voltage rating: 600V with CC' at 1s - 450V with CC' at 10 s

Note: voltage rating of 350-400-450 A rated fuses is defined with a CC' curve at 1 second limited by the minimum breaking current.

Size 00 British Standard

German Standard According to DIN 43653/00C & DIN 80 & 110 - Catalog Numbers (amps)

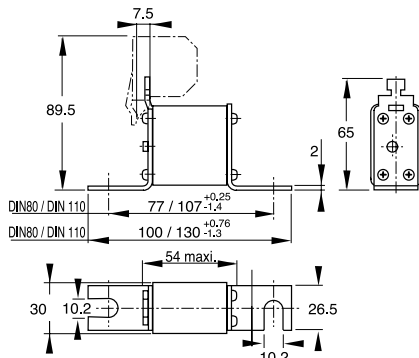
**gRB
DIN 80**

Description	Cat. No.	I/N Fuse Base*
6,9 gRB 00 D08L 016	S330273	1
6,9 gRB 00 D08L 020	S330227	1
6,9 gRB 00 D08L 025	T330228	1
6,9 gRB 00 D08L 032	V330229	1
6,9 gRB 00 D08L 040	W330230	1
6,9 gRB 00 D08L 050	X330231	1
6,9 gRB 00 D08L 063	Y330232	1
6,9 gRB 00 D08L 080	Z330233	1
6,9 gRB 00 D08L 100	A330234	1
6,9 gRB 00 D08L 125	B330235	0.9
6,9 gRB 00 D08L 160	C330236	0.9

**URB
DIN 80**

Description	Cat. No.	I/N Fuse Base*
6,9 URB 00 D08L 016	V330275	1
6,9 URB 00 D08L 020	T330274	1
6,9 URB 00 D08L 025	M330268	1
6,9 URB 00 D08L 032	N330269	1
6,9 URB 00 D08L 040	P330270	1
6,9 URB 00 D08L 050	Q330271	1
6,9 URB 00 D08L 063	R330272	1
6,9 URB 00 D08L 080	D330237	1
6,9 URB 00 D08L 100	E330238	1
6,9 URB 00 D08L 125	F330239	0.9
6,9 URB 00 D08L 160	G330240	0.85
6,9 URB 00 D08L 200	H330241	0.85
6,9 URB 00 D08L 250	J330242	0.80
6,9 URB 00 D08L 315	K330243	0.75
6,9 URB 00 D08L 350	L330244	0.75
6,9 URB 00 D08L 400	M330245	0.70
6 URB 00 D08L 450	N330246	0.65

German Standard According to DIN 43653/00C - DIN 80 & 110



Weight : 140 g(D08) - 190 g(D11)

Packaging : 3 pieces

Microswitches:

6.3 clips | MS 4L 2.5 B6 - Part #: L076646
 or MC 4L 2.5 B6 + PRES - Part #: F210156
 MS 4L 2.5 B2 - Part #: G076642
 2.8 clips | or MC 4L 2.5 B2 + PRES - Part #: G210157

Fuse-base: SI 00 DIN 80 - Part #: Q098040

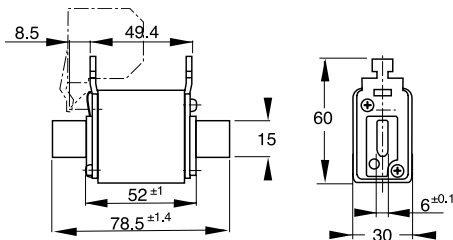
**gRB
DIN 110**

Description	Cat. No.	I/N Fuse Base*
6,9 gRB 00 D11L 016	W330276	1
6,9 gRB 00 D11L 020	P330247	1
6,9 gRB 00 D11L 025	Q330248	1
6,9 gRB 00 D11L 032	R330249	1
6,9 gRB 00 D11L 040	S330250	1
6,9 gRB 00 D11L 050	T330251	1
6,9 gRB 00 D11L 063	V330252	1
6,9 gRB 00 D11L 080	W330253	1
6,9 gRB 00 D11L 100	X330254	1
6,9 gRB 00 D11L 125	Y330255	0.9
6,9 gRB 00 D11L 160	Z330256	0.9

**URB
DIN 110**

Description	Cat. No.	I/N Fuse Base*
6,9 URB 00 D11L 80	A330257	1
6,9 URB 00 D11L 100	B330258	1
6,9 URB 00 D11L 125	C330259	0.9
6,9 URB 00 D11L 160	D330260	0.85
6,9 URB 00 D11L 200	E330261	0.85
6,9 URB 00 D11L 250	F330262	0.80
6,9 URB 00 D11L 315	G330263	0.75
6,9 URB 00 D11L 350	H330264	0.75
6,9 URB 00 D11L 400	J330265	0.70
6 URB 00 D11L 450	K330266	0.65

German Standard According to DIN 43620/00



Weight : 210 g

Packaging : 3 pieces

Microswitches:

6.3 clips | or MC 4L 2.5 B6 + PRES - Part #: F210156
 2.8 clips | or MC 4L 2.5 B2 + PRES - Part #: G210157

Fuse-base: 41002-G

**gRB
DIN 43620**

Description	Cat. No.	I/N Fuse Base*
6,9 gRB 00 PV/016	L330267	1
6,9 gRB 00 PV/020	W330207	1
6,9 gRB 00 PV/025	X330208	1
6,9 gRB 00 PV/032	Y330209	1
6,9 gRB 00 PV/040	Z330210	1
6,9 gRB 00 PV/050	A330211	1
6,9 gRB 00 PV/063	B330212	0.90
6,9 gRB 00 PV/080	C330213	0.90
6,9 gRB 00 PV/100	D330214	0.90
6,9 gRB 00 PV/125	E330215	0.85
6,9 gRB 00 PV/160	F330216	0.85

**URD
DIN 43620**

Description	Cat. No.	I/N Fuse Base*
6,9 URD 00 PV0080	Z320159	0.90
6,9 URD 00 PV0100	D320163	0.90
6,9 URD 00 PV0125	F320165	0.85
6,9 URD 00 PV0160	K320169	0.85
6,9 URD 00 PV0200	M320171	0.85
6,9 URD 00 PV0250	R320175	0.80
6,9 URD 00 PV0315	W320179	0.75

I/N : Ratio RMS steady current / current rating for fuses in base.

URE/URGS/URZ British Standard

Protistor® Fuses

250V AC

URE/URGS/URZ from 5 up to 180A

Sizes: 10 X 28 - 17 X 27 mm

Features/Benefits:

- Extremely high interrupting rating
- Protection of power semiconductors according to IEC 269.1 and 4
- 250V according to IEC 33
- aR class (ratings from 5 to 32A) according to VDE 636-23 and IEC 269.4
- Model according to NF C 63210 and 63211 with built-in blown trip-indicator
- 17X27 are UL recognized

Applications Data

Voltage Rating U_N (V)	Size	Class	Current Rating I_N (A)	Melting I^2t @ 1 ms I^2t_p (A ² s)	Total Clearing I^2t @ UN I^2t_t (A ² s)		Watts Loss		Tested Interrupting Rating
					0.8 I_N	I_N	0.8 I_N	I_N	
250 V	10x28	URE	5	1.3	10	11	0.6	1	160 kA @ 250 V
			6	1.8	13	15	0.7	1.2	
			10	2.4	18	20	1.2	2.1	
			12	4.3	28	33	1.6	2.8	
			15	6.7	41	48	2.0	3.5	
			20	15.0	85	100	2.2	4.0	
			25	27.0	135	160	2.6	4.7	
			32	53.0	240	280	3.0	5.4	
	17x27	URGS	7	1.3	8.5	9.8	0.56	1	
			10	4.5	21	23.8	0.84	1.5	
			12	5.9	27	31	1.1	2.0	
			16	11.2	50	59	1.7	3.0	
			20	15.6	80	100	2.2	3.9	
			25	30.0	130	160	2.7	4.8	
			30	45.0	195	235	3.2	5.6	
			35	63.0	270	330	3.7	6.5	
			50	180.0	790	940	4.9	8.8	
			60	250.0	1100	1310	5.8	10.4	
		URZ	75	380.0	1670	1990	7.2	13.6	
			80	480.0	2100	2530	7.25	13.7	
			100	730.0	3350	4060	6.5	11.5	
			125	850.0	5720	6920	6.7	12.3	
			150	1250.0	7930	9590	7.4	13.6	
			160	1730.0	9600	11700	8.8	15.6	
			180	2090.0	14500	17500	9.5	17	



Ratings:

Volts : 250VAC

Amps : 5 to 180A

IR : 160kA I.R.

Approvals

- UL Recognized Component (17x27mm)
- IEC 269.4, VDE 636.23 (5-32A)
- IEC 33 (250V)



URE/URGS/URZ British Standard

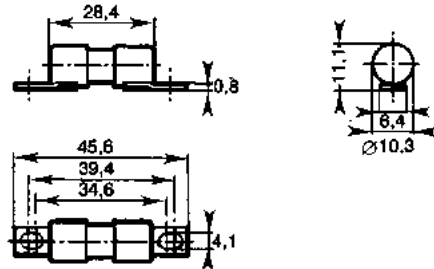
Catalog Numbers

Size	Description	Catalog No.
10x28 mm	2.5 URE 10/5	M082489
	2.5 URE 10/6	E097478
	2.5 URE 10/10	I082488
	2.5 URE 10/12	P097487
	2.5 URE 10/15	K082487
	2.5 URE 10/20	J082486
	2.5 URE 10/25	X097494
	2.5 URE 10/32	N081984

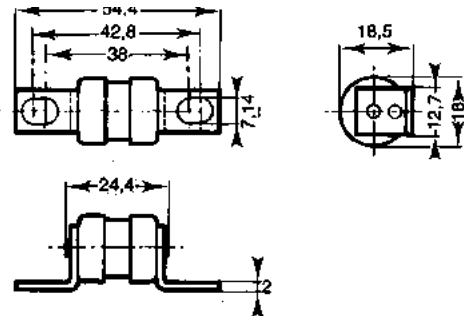
Size	Description	Catalog No.
17x27 mm	2.5 URGS 17/7	M076647
	2.5 URGS 17/10	N076648
	2.5 URGS 17/12	P076649
	2.5 URGS 17/16	Q076650
	2.5 URGS 17/20	L09507
	2.5 URGS 17/25	R076651
	2.5 URGS 17/30	S076652
	2.5 URGS 17/35	T076653
	2.5 URGS 17/50	V076654
	2.5 URGS 17/60	W076655
	2.5 URGS 17/75	X076656
	2.5 URGS 17/80	Z085559
	2.5 URGS 17/100	Y085558
	2.5 URGS 17/125	G097526
	2.5 URGS 17/150	W085556
	2.5 URGS 17/160	F097527
	2.5 URGS 17/180	N097532

Size	Description	Catalog No.
17x27 mm	2.5 URGS 17 P7	P097533
	2.5 URGS 17 P10	Q097434
	2.5 URGS 17 P12	S097536
	2.5 URGS 17 P16	X097540
	2.5 URGS 17 P20	B097540
	2.5 URGS 17 P25	D097546
	2.5 URGS 17 P30	E097547
	2.5 URGS 17 P35	F097548
	2.5 URGS 17 P50	J097551
	2.5 URGS 17 P60	H081082
	2.5 URGS 17 P75	K097552
	2.5 URGS 17 P80	L097553
	2.5 URZ 17 P100	P097556
	2.5 URZ 17 P125	Q097557
	2.5 URZ 17 P150	R097558
	2.5 URZ 17 P160	S097559
	2.5 URZ 17 P180	T097560

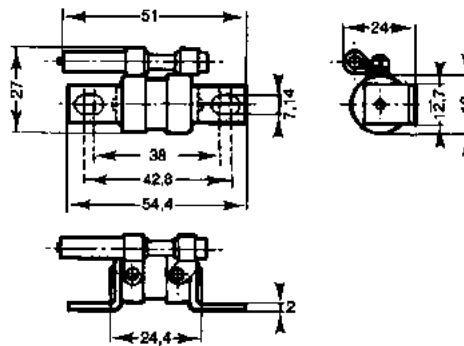
10x28 without Trip-Indicator (mm)



17x27 without Trip-Indicator (mm)



17x27 with Separated Trip-Indicator (mm)



Microswitch MC 6.3 GR 2.5N

MERSEN

URGG/URGH British Standard

Protistor® Fuses

250V

URGG/URGH from 50 to 1050A

SizeS: 36 X 27 - 2 X 36 x 27 mm

Features/Benefits:

- Extremely high-Interrupting rating fuses
- Protection of power semiconductors according to IEC 269.1 and 4
- aR class (ratings from 50 to 525A URGG - 300 to 1050A URGH) according to IEC 269.4
- Complies with BS 88-4
 - without indicator
 - with external trip-indicator

Applications Data

Voltage Rating U_N (V)	Size	Class	Current Rating I_N (A)	Melting I^2t @ 1 ms I^2t_p (A ² s)	Total Clearing I^2t @ UN I^2t_c (A ² s)	Watts Loss		Tested Interrupting Rating
						0.8 I_N	I_N	
250 V	36x27	URGG	50	120	500	4.75	9.5	100 kA @ 250 V
			75	330	1380	6.3	12.6	
			100	745	3060	7.8	15.7	
			125	1340	5500	9.1	18.2	
			150	1930	7950	10.8	21.6	
			200	4020	16400	13.5	27.0	
			250	5350	30000	16.3	32.6	
			300	7290	49600	18.6	37.2	
			350	18000	74000	21	42.0	
			400	25100	128000	23.4	46.7	
	450	33500	170000	27.1	54.1			
	500	43000	219000	30.4	60.8			
	525	48200	245000	33.2	66.4			
	300	2x36x27	URGH	7700	31800	21.6	43.2	
	350			11500	48700	24.3	48.6	
	400			16000	65600	27	54.0	
	500			29100	120000	32.6	65.2	
	600			48200	198500	37.2	74.4	
	700			72000	276000	42.0	84.0	
	800			100000	512000	46.7	93.4	
900	134000			680000	54.1	108.2		
1000	172000			876000	60.8	121.6		
1050	193000			980000	66.4	132.8		

Minimum operating voltage for all trip indicators = 20V



Ratings:

Volts : 250VAC

Amps : 50 to 1050A

IR : 100kA I.R

Approvals

- IEC 269.4
 - URGG (50-525A)
 - URGH (300-1050A)
- BS 88-4
 - URGG (50-525A)
 - URGH (300-1050A)

URGG/URGH British Standard

Size	Description	Catalog No.
36x27mm	2.5 URGG 36/50	J080945
	2.5 URGG 36/75	K080946
	2.5 URGG 36/100	L080947
	2.5 URGG 36/125	R082470
	2.5 URGG 36/150	Q082469
	2.5 URGG 36/200	P082468
	2.5 URGG 36/250	N082467
	2.5 URGG 36/300	M082466
	2.5 URGG 36/350	L082465
	2.5 URGG 36/400	G075538
	2.5 URGG 36/450	H075539
	2.5 URGG 36/500	J075540
2.5 URGG 36/525	K075541	

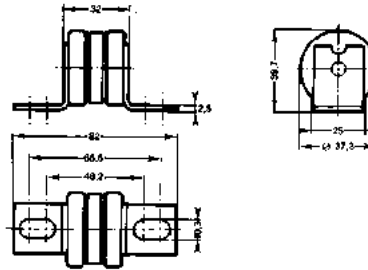
Size	Description	Catalog No.
36x27mm	2.5 URGG36T50	F080942
	2.5 URGG36T75	G080943
	2.5 URGG36T100	H080944
	2.5 URGG36T125	W082382
	2.5 URGG36T150	V080944
	2.5 URGG36T200	T082380
	2.5 URGG36T250	S082379
	2.5 URGG36T300	R082378
	2.5 URGG36T350	Q082377
	2.5 URGG36T400	L075542
	2.5 URGG36T450	M075542
	2.5 URGG36T500	N075544
2.5 URGG36T525	P075545	

Size	Description	Catalog No.
36x27mm	2.5 URGG36P50	C090939
	2.5 URGG36P75	D080940
	2.5 URGG36P100	E080941
	2.5 URGG36P125	Y081004
	2.5 URGG36P150	X081003
	2.5 URGG36P200	W081002
	2.5 URGG36P250	V081001
	2.5 URGG36P300	T081000
	2.5 URGG36P350	S080999
	2.5 URGG36P400	V075504
	2.5 URGG36P450	W07550
	2.5 URGG36P500	X075506
2.5 URGG36P525	Y075507	

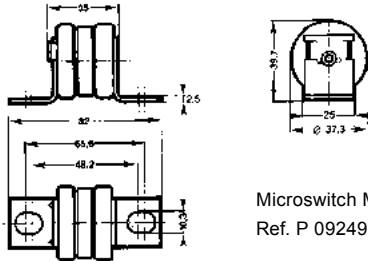
Size	Description	Catalog No.
2X36x27mm	2.5 URGH236/300	K082464
	2.5 URGH236/350	J082463
	2.5 URGH236/400	H082462
	2.5 URGH236/500	G082461
	2.5 URGH236/600	F082460
	2.5 URGH236/700	E082459
	2.5 URGH236/800	Q075546
	2.5 URGH236/900	R075547
	2.5 URGH236/1000	S075548
	2.5 URGH236/1050	T075549

Size	Description	Catalog No.
2X36x27mm	2.5 URGH236T300	P082376
	2.5 URGH236T350	N082375
	2.5 URGH236T400	M082374
	2.5 URGH236T500	L082373
	2.5 URGH236T600	K082372
	2.5 URGH236T700	J082371
	2.5 URGH236T800	V075550
	2.5 URGH236T900	R075501
	2.5 URGH236T1000	S075502
	2.5 URGH236T1050	T075503

36x27 - without Trip-Indicator (mm)

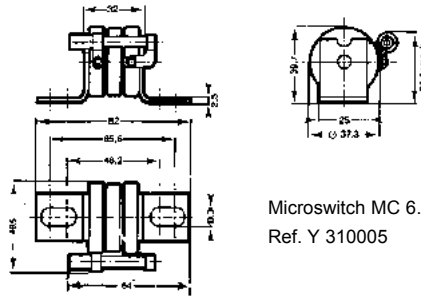


36x27 - with Built-in Trip-Indicator (mm)



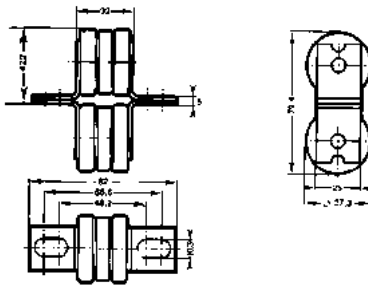
Microswitch MC 36 GR 2.5 N -
Ref. P 092496

36x27 - with Separated Trip-Indicator (mm)

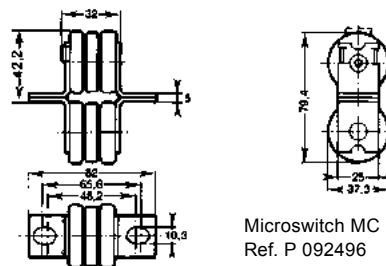


Microswitch MC 6.3 GR 2.5 N -
Ref. Y 310005

2x36x27 - without Trip-Indicator (mm)



2x36x27 - with Built-in Trip-Indicator (mm)



Microswitch MC 36 GR 2.5 N -
Ref. P 092496

URE/URS/URT British Standard

Protistor® Fuses

690V

URE/URS/URT from 5 to 160A

Sizes: 10 X 51 - 17 X 49 - 2 x 17 x49 mm

Features/Benefits:

- Extremely high Interrupting rating fuses
- Protection of power semiconductors according to IEC 269.1 and 4
- aR class (ratings from 5 to 160A) according to IEC 269.4
- Two models complying with BS 88-4
 - without indicator (17X49mm)
 - with external trip-indicator (2x17x49mm)



Applications Data

Voltage Rating U_N (V)	Size mm	Class	Current Rating I_N (A)	Melting I^2t @ 1 ms I^2t_m (A ² s)	Total Clearing I^2t @ U_N I^2t_c (A ² s)		Watts Loss		Tested Interrupting Rating
					0.8 I_N	I_N	0.8 I_N	I_N	
690 V	10x51	URE	5	1.3	10	15	1.05	2	200 kA @ 690 V
			6	1.3	13.5	20.5	1.3	2.5	
			10	3.3	25	35	2.2	4.1	
			12	5.5	40	58	2.3	4.3	
			15	9.7	70	100	2.4	4.4	
			20	19.4	120	200	3.1	5.8	
	17x49	URS	16	9.7	75	107	2.7	4.8	
			20	17.3	130	185	2.9	5.3	
			25	27	200	285	3.7	6.7	
			32	53	400	570	4.7	8.6	
			35	70	510	725	5.2	9.6	
			40	98	760	1080	5.7	10.5	
			45	130	900	1280	6.2	11.4	
			50	156	1000	1420	6.8	12.6	
			55	210	1380	1970	7.2	13.3	
			63	315	2000	2850	7.5	13.9	
			75	525	3350	4630	7.8	14.4	
			80	625	3900	5700	8.5	15.8	
	2x17x49	URT	65	210	1590	2270	9.5	17.4	
			75	310	2300	3280	10.9	20	
			85	430	3050	4350	11.9	21.9	
			90	525	3600	5130	12.4	22.8	
			110	850	5500	7840	13.8	26.5	
			140	1730	11000	15700	15.5	28.5	
150			2090	13400	18500	15.6	28.7		
160			2500	15600	22800	16.9	31.5		

Minimum operating voltage for all trip indicators = 20V

URE/URS/URT British Standard

Size	Description	Catalog No.
10x51mm	6,9 URE 10/5	D 082458
	6,9 URE 10/6	X 097057
	6,9 URE 10/10	C 082457
	6,9 URE 10/12	Z 079059
	6,9 URE 10/15	B 082456
	6,9 URE 10/20	A 082456

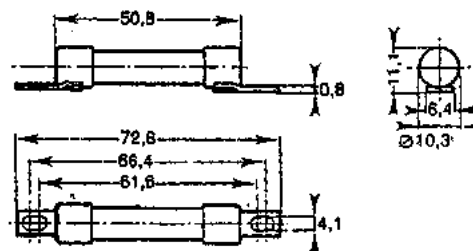
Size	Description	Catalog No.
17x49mm	6,9 URS 17/16	G 075883
	6,9 URS 17/20	H 075884
	6,9 URS 17/25	J 075885
	6,9 URS 17/32	K 075886
	6,9 URS 17/35	L 075887
	6,9 URS 17/40	M 075888
	6,9 URS 17/45	N 075889
	6,9 URS 17/50	P 075890
	6,9 URS 17/55	Q 075891
	6,9 URS 17/63	R 075892
	6,9 URS 17/75	S 075893
	6,9 URS 17/80	T 075894

Size	Description	Catalog No.
17x49mm	6,9 URS 17 P 16	V 075895
	6,9 URS 17 P 20	W 075896
	6,9 URS 17 P 25	X 075897
	6,9 URS 17 P 32	Y 075898
	6,9 URS 17 P 35	Z 075899
	6,9 URS 17 P 40	A 075900
	6,9 URS 17 P 45	B 075901
	6,9 URS 17 P 50	K 081084
	6,9 URS 17 P 55	C 075902
	6,9 URS 17 P 63	D 075903
	6,9 URS 17 P 75	E 075904
	6,9 URS 17 P 80	F 075905

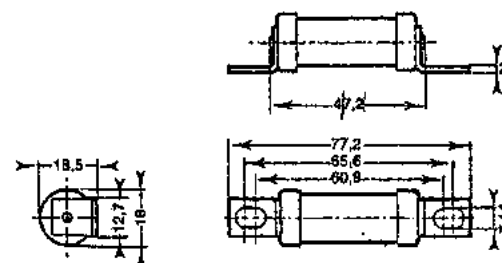
Size	Description	Catalog No.
2X17x49mm	6,9 URT 217/65	G 075906
	6,9 URT 217/75	F 099572
	6,9 URT 217/85	H 075907
	6,9 URT 217/90	A 099958
	6,9 URT 217/110	B 099959
	6,9 URT 217/140	J 075908
	6,9 URT 217/150	C 099960
6,9 URT 217/160	K 075909	

Size	Description	Catalog No.
2X17x49mm	6,9 URT 217 P 65	L 075910
	6,9 URT 217 P 75	M 075911
	6,9 URT 217 P 85	M 075912
	6,9 URT 217 P 90	P 075913
	6,9 URT 217 P 110	Q 075914
	6,9 URT 217 P 140	R 075915
	6,9 URT 217 P 150	S 075916
	6,9 URT 217 P 160	T 075917

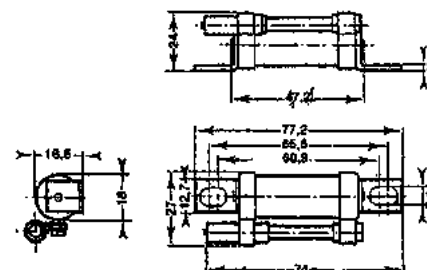
10x51 - without Trip-Indicator (mm)



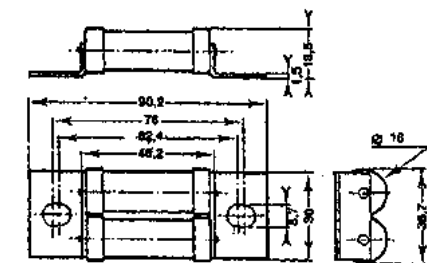
17x49 - without Trip-Indicator (mm)



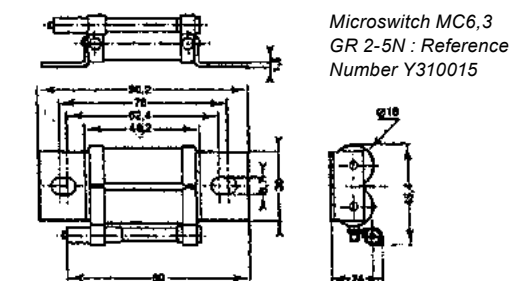
17x49 - with Separate Trip-Indicator (mm)



2x17x49 - without Trip-Indicator (mm)



2x17x49 - with Separate Trip-Indicator (mm)



URR/URGL/URU/URGM British Standard

Protistor® fuses

690V

URR/URGL/URU/URGM from 75 to 800A

Sizes: 36 X 55 & 2 X 36 x 55 mm

Features/Benefits:

- Extremely high Interrupting rating fuses
- Protection of power semiconductors according to IEC 269.1 and 4
- aR class ratings from 75 to 800A according to IEC 269.4
- Complies with BS 88-4
 - without indicator
 - with external trip-indicator
 - with built in trip-indicator



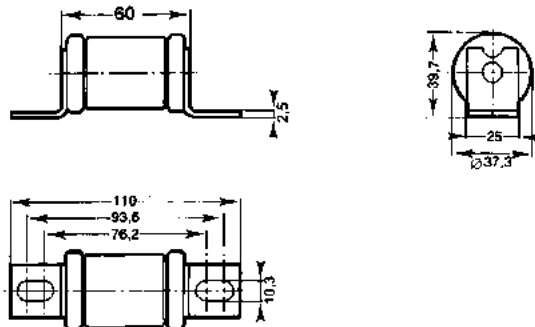
Applications Data

Voltage Rating U_N (V)	Size mm	Class	Current Rating I_N (A)	Melting Pt @ 1 ms I^2t_p (A ² s)	Total Clearing I^2t @ U_N I^2t_t (A ² s)		Watts Loss		Tested Interrupting Rating
					$0.8 I_N$	I_N			
690 V	36x55	URR	75	350	1800	2000	9.7	19.5	200 kA @ 690 V
			110	1180	6000	6700	11.3	22.8	
			200	3900	18500	20500	21.8	41.4	
			250	8760	41000	46000	23.6	44.1	
		URGL	50	180	860	990	7.3	14.0	
			65	335	1600	1840	8.8	17.1	
			85	480	3450	4000	12.2	23.5	
			90	720	4100	4700	13.2	25.5	
			150	2880	12600	14500	18.9	35.3	
			180	5350	22500	25500	19.1	35.7	
			200	9510	40000	46000	17.7	33.1	
			250	21400	97000	110000	18.7	34.5	
			280	29100	125000	145000	20.3	38.0	
			315	38100	157000	180000	22.7	42.6	
	2x36x55	URU	355	48200	190000	215000	25.9	48.5	
			400	72000	265000	305000	26.7	50.0	
			200	4700	24000	27000	18.4	33.0	
			235	6920	34500	39000	21.0	37.6	
		URGM	400	21200	100000	110000	34.8	62.3	
			500	35000	164000	184000	47.2	88.2	
			630	97300	515000	575000	41.1	73.2	
			175	2880	13800	16000	24.7	47.6	
			300	13700	60000	68000	31.5	59.0	
			325	21400	90000	102000	30.0	54.0	
			355	25200	106000	120000	33.1	62.0	
			450	65600	300000	340000	34.6	63.8	
			500	85600	390000	440000	37.4	69.0	
			630	15200	630000	720000	45.4	85.2	
710	193000	760000	860000	51.8	97.0				
800	282000	1.06 106	1.22 106	53.4	100.0				

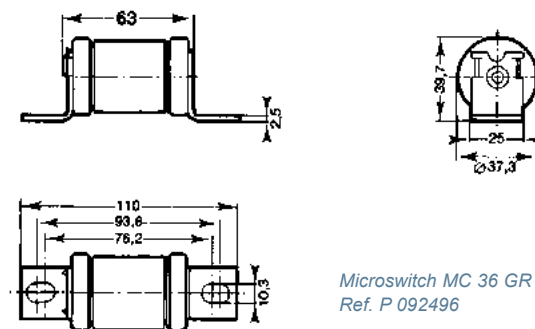
URR/URGL/URU/URGM British Standard

Size	Description	Catalog No.
36x55mm	6,9 URGL36/50	X097103
	6,9 URGL36/65	H097113
	6,9 URGL36/75	H097136
	6,9 URGL36/85	M097163
	6,9 URGL36/90	N097164
	6,9 URGL36/110	P097165
	6,9 URGL36/150	Q097167
	6,9 URGL36/180	S097168
	6,9 URR36/200	T097169
	6,9 URGL36/200	V097170
	6,9 URR36/250	W097171
	6,9 URGL36/280	A097175
	6,9 URGL36/315	B097176
	6,9 URGL36/355	C097177
	6,9 URGL36/400	D097178

36x55 - without Trip-Indicator (mm)



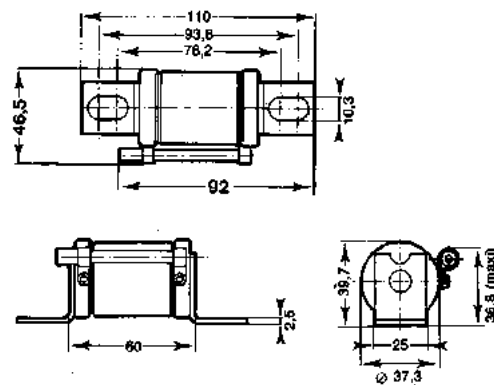
36x55 - with Built-in Trip-Indicator (mm)



Microswitch MC 36 GR 2.5 N -
Ref. P 092496

Size	Description	Catalog No.
36x55mm	6,9 URGL36T50	N097210
	6,9 URGL36T65	K097210
	6,9 URGL36T75	H099965
	6,9 URGL36T85	M097255
	6,9 URGL36T90	N097256
	6,9 URGL36T110	R099973
	6,9 URGL36T150	Z082178
	6,9 URGL36T180	P097257
	6,9 URR36T200	A085560
	6,9 URGL36T200	R097259
	6,9 URR36T250	W097263
	6,9 URGL36T250	X097266
	6,9 URGL36T280	Y097266
	6,9 URGL36T315	Z097266
	6,9 URGL36T355	A097267
	6,9 URGL36T400	C097269

36x55 - with Separated Trip-Indicator (mm)



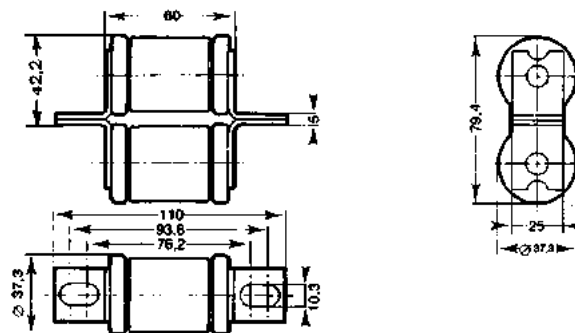
Microswitch MC 6.3 GR 2.5 N -
Ref. Y 310015

Size	Description	Catalog No.
36x55mm	6,9 URGL36P90	H097182
	6,9 URR36P110	J097183
	6,9 URGL36P150	K097184
	6,9 URGL36P180	L097185
	6,9 URR36P200	M097186
	6,9 URGL36P200	N097187
	6,9 URR36P250	P097188
	6,9 URGL36P250	Q097189
	6,9 URGL36P280	R097190
	6,9 URGL36P315	V097193
	6,9 URGL36P355	Y097196
	6,9 URGL36P400	M097209

URR/URGL/URU/URGM British Standard

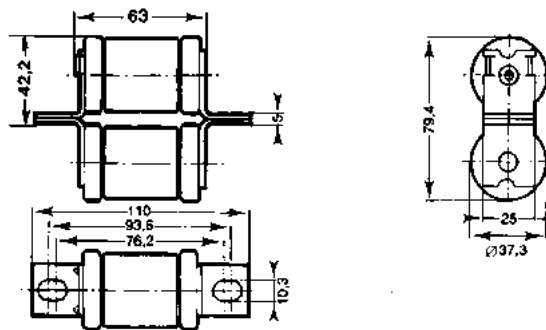
Size	Description	Catalog No.
2X36x55mm	6,9 URGM236/175	D097270
	6,9 URU236/200	F097272
	6,9 URU236/235	J097275
	6,9 URGM236/300	K097276
	6,9 URGM236/325	R097282
	6,9 URGM236/355	S097283
	6,9 URU236/400	T097284
	6,9 URGM236/450	Y097288
	6,9 URGM236/500	Z097289
	6,9 URU236/500	A097290
	6,9 URGM236/630	B097291
	6,9 URU236/630	R097351
	6,9 URGM236/710	S097352
	6,9 URGM236/800	Y097357

2x36x55 - without Trip-Indicator (mm)



Size	Description	Catalog No.
2X36x55mm	6,9 URGM236T175	F097456
	6,9 URU236T200	G097457
	6,9 URU236T235	A082179
	6,9 URGM236T300	S085553
	6,9 URGM236T325	J097463
	6,9 URGM236T355	N097463
	6,9 URU236T400	P097464
	6,9 URGM236T450	Q097465
	6,9 URGM236T500	R097466
	6,9 URU236T500	S097470
	6,9 URGM236T630	V097469
	6,9 URU236T630	W097470
	6,9 URGM236T710	C097476
	6,9 URGM236T800	D097477

2x36x55 - with Built-in Trip-Indicator (mm)



Microswitch MC 36 GR 2.5 N - Ref. P 092496

690/700 Volt PSC Square Body

Mersen 690/700V PSC fuse-links provide maximum flexibility in equipment design and ultimate protection for today's power conversion equipment. These square body fuse-links are available in four different body sizes, each size having seven worldwide acceptable mounting styles. The different mounting styles and body sizes along with a broad range of ampere ratings allow greatest flexibility in equipment design.

Mersen PSC fuses have been engineered to provide state-of-the-art protection for SCR's, diodes, thyristors, GTO's and IGBT devices. They have pure silver, die-cut elements embedded in solidified sand, which helps control arcing characteristics for low I^2t and high interrupting rating. All contact surfaces are silver plated and all hardware is non-magnetic.

All fuse links are equipped with a low voltage trip-indicator. This trip-indicator can operate a field mountable microswitch which is easily mounted directly onto the fuse even while in service.

Features/Benefits:

- Choice of mounting styles gives wide choice for equipment design
- Broad range of ampere ratings in a given body size for design flexibility
- IEC 269-4 compliance for worldwide semiconductor applications

* For Microswitch information see page J7

Highlights:

- Extremely fast-acting
- Current-limiting
- Very low I^2t
- Worldwide acceptability superior cycling ability

Applications:

- Protection of rectifiers, inverters, DC drives,
- UPS Systems, reduced voltage motor starters, and other equipment in globally accepted applications

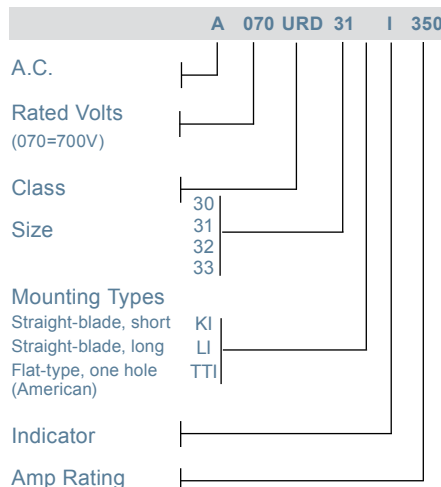
Part Number Designation:

6,9 URD: European/IEC
Mounting Style/Approval
Tested @ 1.1 V_N

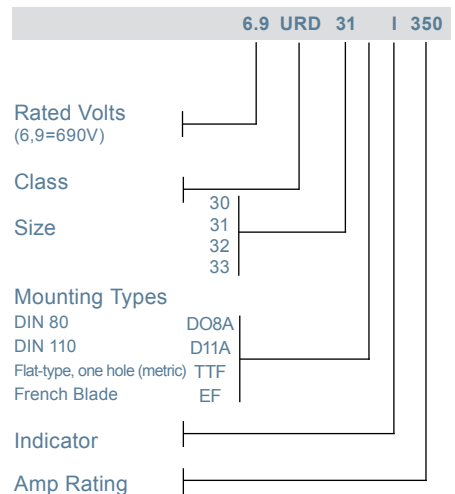
A070 URD: North American
Mounting Style/Approval
Tested @ V_N

* V_N = rated voltage

N. American Reference Numbering System



European Reference Numbering System



Ratings:

Volts : 500-700 VAC
: DC - consult factory

Amps : 40-2500A

I.R. : 200kA I.R.

Approvals:

- UL recognized component
File E76491
- Sizes 30, 31, 32, 33 tested to IEC 269.4



690/700 Volt PSC Square Body

European Blade, Type DO8A

Body Size	Type	Dimensions - mm						
		A	B	C	D	E	F	G
30	D08	40	25	12.5	21	17	77	110
31		51	25	12.5	25	22.5	77	110
32		60	32	16	30	27	77	110
33		74.5	40	20	37.2	34.25	77	110

European Blade, Type D11A

Body Size	Type	Dimensions - mm						
		A	B	C	D	E	F	G
30	D11	40	25	12.5	21	17	101.6	134.6
31		51	25	12.5	25.5	22.5	101.6	134.6
32		60	32	16	30	27	101.6	134.6
33		74.5	40	20	37.2	34.25	101.6	134.6

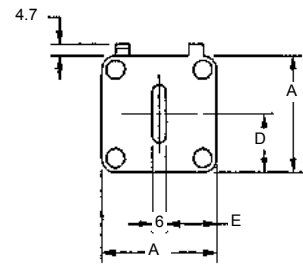
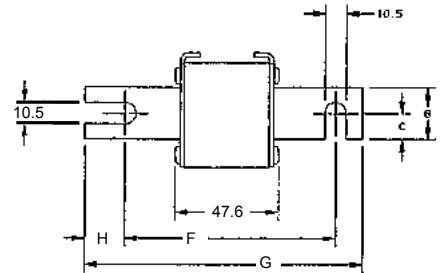
North American Straight Blade, Type KI

Body Size	Type	Dimensions - mm / in								
		A	B	C	D	E	F	G	H	J
30	KI	40 (1.57)	25 (.98)	12.5 (.49)	21 (.83)	18 (.71)	68 (2.68)	107 (4.21)	129 (5.08)	10.5 (.41)
31		.51	25	12.5	25.5	22.5	67.6	107.1	128.8	14.3
32		60 (2.36)	32 (1.26)	16 (.63)	30 (1.18)	27 (1.06)	74.2 (2.92)	109 (4.29)	134 (5.28)	14.6 (.57)
33		74.5 (2.93)	40 (1.57)	20 (.79)	37.2 (1.46)	34.2 (1.35)	75.4 (2.97)	107.6 (4.24)	134 (5.28)	15.9 (.63)

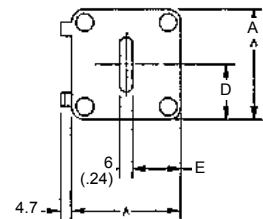
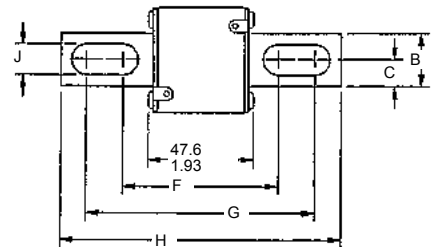
North American Straight Blade, Type LI

Body Size	Type	Dimensions - mm / in								
		A	B	C	D	E	F	G	H	J
30	LI	40 (1.57)	25 (.98)	12.5 (.49)	21 (.83)	18 (.71)	87.6 (3.45)	126.6 (4.98)	148.6 (5.85)	10.5 (.41)
31		51 (2.01)	25 (.98)	12.5 (.49)	25.5 (1.00)	22.5 (.89)	91.6 (3.61)	122.4 (4.82)	148.6 (5.85)	14.6 (.57)
32		60 (2.36)	32 (1.26)	16 (.63)	30 (1.18)	27 (1.06)	94.2 (3.71)	129 (5.08)	153 (6.02)	14.6 (.57)
33		74.5 (2.93)	40 (1.57)	20 (.79)	37.2 (1.46)	34.2 (1.35)	94.4 (3.72)	126.6 (4.98)	153 (6.02)	15.9 (.63)

Outline Dimensions Types D08A and D11A



Types KI and LI



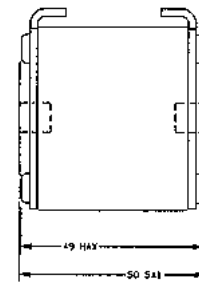
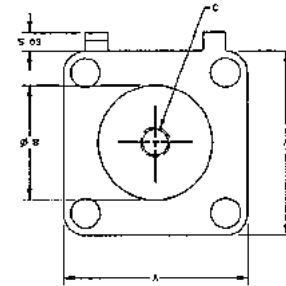
690/700 Volt PSC Square Body

North American Flat Single Hole, Type TTI

Body Size	Type	Dimensions - mm / in		
		A	B	C
30	TTI	1.57 (40)	1.00 (25)	5/16-18 x .35
31		2.00 (50.8)	1.19 (30.2)	5/16-18 x .35
32		2.37 (60.3)	1.50 (38.1)	3/8-16 x .35
33		2.94 (74.6)	1.81 (46)	1/2-13 x .35

Outline Dimensions

Types TTI and TTF



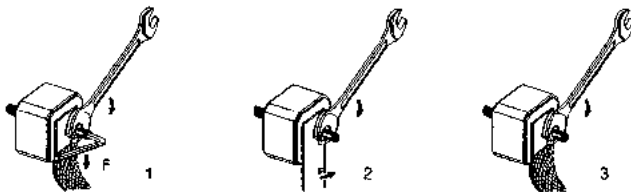
European Flat Single Hole, Type TTF

Body Size	Type	Dimensions - mm		
		A	B	C
30	TTF	40	26	M8 x 1.25 x 6 DP
31		51	30	M8 x 1.25 x 9 DP
32		60	38	M10 x 1.50 x 9 DP
33		74.5	46	M12 x 1.75 x 9 DP

Standard Threaded Studs

Size	Ref. and Dimension Per Pair of Studs	Weight (g)	Max Stud Mounting Torque (Nm)	Max Nut Tightening Torque (Nm)*		
				Fig. 1	Fig. 2	Fig. 3
30 & 31	S 98 801 (HC M8 X 30 & M 8 X 35)	23	10	13.5	13.5	13.5
32	T 98 802 (HC M 10 X 30 & M 10 X 50)	40	15	26	26	26
33	V 98 803 (HC M 12 X 35 & M 12 X 50)	60		46	46	46
2X32	W 98 804 (HC M 10 X 50)	50		26	26	26
2X33	X 98 805 (HC M 12 X 50)	70		46	46	46

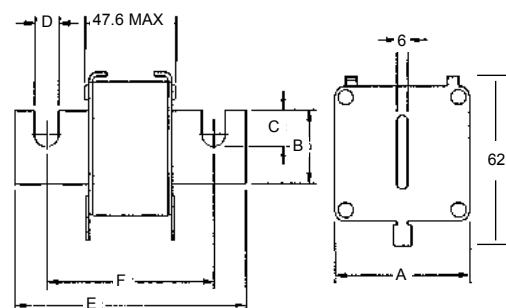
*in.lbs = Nm/.113



Type EF

European French Blade, Type EF

Body Size	Type	Dimensions - mm					
		A	B	C	D	E	F
30	EF	40	18	11	9	100	76.6
31		50	25	16	10.5	110	86.5
32		59	32	21.2	13	13	90.8
33		74.5	40	19.5	13	13	91



690/700 Volt PSC Square Body

690 Volt European/IEC Style Ratings and Application Data, D11A Mounting

Body Size	Amp Rating	Rated Voltage	Melting I ² t (A ² s x 10 ³)	Total I ² t @ 660VAC (A ² s x 10 ³)	** Watts Loss @ Rated Current (W)	Catalog No	New Description	Old Description
30	50	690	0.116	0.68	9	G301191	PC30UD69V50D1A	6,9URD30D11A0050
	63	690	0.2	1.09	14	Q300118	PC30UD69V63D1A	6,9URD30D11A0063
	80	690	0.33	1.75	19	R300119	PC30UD69V80D1A	6,9URD30D11A0080
	100	690	0.47	2.5	26	S300120	PC30UD69V100D1A	6,9URD30D11A0100
	125	690	0.85	4.5	30	T300121	PC30UD69V125D1A	6,9URD30D11A0125
	160	690	1.6	8.5	37	V300122	PC30UD69V160D1A	6,9URD30D11A0160
	200	690	3	15.5	42/43	W300123	PC30UD69V200D1A	6,9URD30D11A0200
	250	690	5.8	30	48/50	X300124	PC30UD69V250D1A	6,9URD30D11A0250
	315	690	12	62	53/55	Y300125	PC30UD69V315D1A	6,9URD30D11A0315
	350	690	15.5	80	57/60	Z300126	PC30UD69V350D1A	6,9URD30D11A0350
	400	690	23	120	60/65	A300127	PC30UD69V400D1A	6,9URD30D11A0400
	450	660	26	153	80/88	S300695	PC30UD69V450D1A	6,9URD30D11A0450
	500	660	41	245	80/88	Y301091	PC30UD69V500D1A	6,9URD30D11A0500
	550	660	52	305	80/90	Z301092	PC30UD69V550D1A	6,9URD30D11A0550
	31	200	690	2.6	14	45	H300019	PC31UD69V200D1A
250		690	4.7	25	52	J300020	PC31UD69V250D1A	6,9URD31D11A0250
315		690	7.5	40	65	K300021	PC31UD69V315D1A	6,9URD31D11A0315
350		690	10.5	55	67	P300048	PC31UD69V350D1A	6,9URD31D11A0350
400		690	19	100	68	L300022	PC31UD69V400D1A	6,9URD31D11A0400
450		690	26.5	140	70	M300023	PC31UD69V450D1A	6,9URD31D11A0450
500		690	37	195	70/72	N300024	PC31UD69V500D1A	6,9URD31D11A0500
550		690	52	280	70/75	P300025	PC31UD69V550D1A	6,9URD31D11A0550
630		690	75	390	75/85	Q300026	PC31UD69V630D1A	6,9URD31D11A0630
700		690	95	490	85/95	R300027	PC31UD69V700D1A	6,9URD31D11A0700
32	800	660	140	815	105/120	H300709	PC31UD69V800D1A	6,9URD31D11A0800
	400	690	15	80	72/75	P300186	PC32UD69V400D1A	6,9URD32D11A0400
	450	690	22	115	77/80	Q300187	PC32UD69V450D1A	6,9URD32D11A0450
	500	690	28	145	85/90	R300188	PC32UD69V500D1A	6,9URD32D11A0500
	550	690	37	195	90/95	S300189	PC32UD69V550D1A	6,9URD32D11A0550
	630	690	54	280	95/105	T300190	PC32UD69V630D1A	6,9URD32D11A0630
	700	690	76	400	100/110	V300191	PC32UD69V700D1A	6,9URD32D11A0700
	800	690	115	600	110/120	W300192	PC32UD69V800D1A	6,9URD32D11A0800
	900	660	170	900	110/125	X300193	PC32UD69V900D1A	6,9URD32D11A0900
33	1000	660	240	1250	115/135	Y300194	PC32UD69V10CD1A	6,9URD32D11A1000
	500	690	19	100	105	S300258	PC33UD69V500D1A	6,9URD33D11A0500
	550	690	27	140	105/110	T300259	PC33UD69V550D1A	6,9URD33D11A0550
	630	690	40	130	110/120	V300260	PC33UD69V630D1A	6,9URD33D11A0630
	700	690	55	300	115/125	W300261	PC33UD69V700D1A	6,9URD33D11A0700
	800	690	95	490	120/130	X300262	PC33UD69V800D1A	6,9URD33D11A0800
	900	690	135	700	120/135	Y300263	PC33UD69V900D1A	6,9URD33D11A0900
	1000	690	170	900	135/155	Z300264	PC33UD69V10CD1A	6,9URD33D11A1000
	1100	690	240	1260	135/160	A300265	PC33UD69V11CD1A	6,9URD33D11A1100
	1250	660	350	1850	150/180	B30026	PC33UD66V11CD1A	6,6URD33D11A1250
	1400	660	480	2500	160/200	C300267	PC33UD69V14CD1A	6,9URD33D11A1400
	1500	600	500		220	H301974	PC33UD60V15CD1A	6URD33D11A1500
	1600	600	555		210/240	Z301437	PC33UD60V16CD1A	6URD33D11A1600

** Watts loss data is published for both blade and tapped style mounting configurations. When two watts loss values are shown this represents tapped/blade values respectively.

690/700 Volt PSC Square Body

690 Volt European/IEC Style Ratings and Application Data, D08A Mounting

Body Size	Amp Rating	Rated Voltage	Melting I ² t (A ² s x 10 ³)	Total I ² t @ 660VAC (A ² s x 10 ³)	** Watts Loss @ Rated Current (W)	Catalog No	New Description	Old Description
30	50	690	0.116	0.68	9	F301926	PC30UD69V50A	6,9URD30D08A0050
	63	690	0.2	1.09	14	E300108	PC30UD69V63A	6,9URD30D08A0063
	80	690	0.33	1.75	19	F300109	PC30UD69V80A	6,9URD30D08A0080
	100	690	0.47	2.5	26	S300120	PC30UD69V100D1A	6,9URD30D11A0100
	125	690	0.85	4.5	30	H300111	PC30UD69V125A	6,9URD30D08A0125
	160	690	1.6	8.5	37	J300112	PC30UD69V160A	6,9URD30D08A0160
	200	690	3	15.5	42/43	K300113	PC30UD69V200A	6,9URD30D08A0200
	250	690	5.8	30	48/50	L300114	PC30UD69V250A	6,9URD30D08A0250
	315	690	12	62	53/55	M300115	PC30UD69V315A	6,9URD30D08A0315
	350	690	15.5	80	57/60	N300116	PC30UD69V350A	6,9URD30D08A0350
	400	690	23	120	60/65	P300117	PC30UD69V400A	6,9URD30D08A0400
	450	660	26	153	80/88	A300403	PC30UD69V450A	6,9URD30D08A0450
	500	660	41	245	80/88	B300404	PC30UD69V500A	6,9URD30D08A0500
	550	660	52	305	80/90	C300405	PC30UD69V550A	6,9URD30D08A0550
31	200	690	2.6	14	45	Y300010	PC31UD69V200A	6,9URD31D08A0200
	250	690	4.7	25	52	Z300011	PC31UD69V250A	6,9URD31D08A0250
	315	690	7.5	40	65	A300012	PC31UD69V315A	6,9URD31D08A0315
	350	690	10.5	55	67	Q300049	PC31UD69V350A	6,9URD31D08A0350
	400	690	19	100	68	B300013	PC31UD69V400A	6,9URD31D08A0400
	450	690	26.5	140	70	C300014	PC31UD69V450A	6,9URD31D08A0450
	500	690	37	195	70/72	D300015	PC31UD69V500A	6,9URD31D08A0500
	550	690	52	280	70/75	E300016	PC31UD69V550A	6,9URD31D08A0550
	630	690	75	390	75/85	F300017	PC31UD69V630A	6,9URD31D08A0630
	700	690	95	490	85/95	G300018	PC31UD69V700A	6,9URD31D08A0700
800	660	140	815	105/120	D300406	PC31UD69V800A	6,9URD31D08A0800	
32	400	690	15	80	72/75	E300177	PC32UD69V400A	6,9URD32D08A0400
	450	690	22	115	77/80	F300178	PC32UD69V450A	6,9URD32D08A0450
	500	690	28	145	85/90	G300179	PC32UD69V500A	6,9URD32D08A0500
	550	690	37	195	90/95	H300180	PC32UD69V550A	6,9URD32D08A0550
	630	690	54	280	95/105	J300181	PC32UD69V630A	6,9URD32D08A0630
	700	690	76	400	100/110	K300182	PC32UD69V700A	6,9URD32D08A0700
	800	690	115	600	110/120	L300183	PC32UD69V800A	6,9URD32D08A0800
	900	660	170	900	110/125	M300184	PC32UD69V900A	6,9URD32D08A0900
	1000	660	240	1250	115/135	N300185	PC32UD69V1000A	6,9URD32D08A1000
	1100	600	270	1620	140/165	W302101	PC32UD60V1100A	6URD32D08A1100
	1250	500	410	1940	150/180	G300409	PC32UD50V1250A	5,5URD32D08A1250
33	500	690	19	100	105	G300248	PC33UD69V500A	6,9URD33D08A0500
	550	690	27	140	105/110	H300249	PC33UD69V550A	6,9URD33D08A0550
	630	690	40	130	110/120	J300250	PC33UD69V630A	6,9URD33D08A0630
	700	690	55	300	115/125	K300251	PC33UD69V700A	6,9URD33D08A0700
	800	690	95	490	120/130	L300252	PC33UD69V800A	6,9URD33D08A0800
	900	690	135	700	120/135	M300253	PC33UD69V900A	6,9URD33D08A0900
	1000	690	170	900	135/155	N300254	PC33UD69V1000A	6,9URD33D08A1000
	1100	690	240	1260	135/160	P300255	PC33UD69V1100A	6,9URD33D08A1100
	1250	660	350	1850	150/180	Q300256	PC33UD69V1250A	6,9URD33D08A1250
	1400	660	480	2500	160/200	R300257	PC33UD69V1400A	6,9URD33D08A1400
	1500	600	500		220	M235071	PC33UD60V1500A	6URD33D08A1500
	1600	600	555		210/240	X301803	PC33UD60V1600A	6URD33D08A1600
	1800	600	720		225/260	E301971	PC33UD60V1800A	6URD33D08A1800

** Watts loss data is published for both blade and tapped style mounting configurations. When two watts loss values are shown this represents tapped/blade values respectively.

690/700 Volt PSC Square Body

690 Volt European/IEC Style Ratings and Application Data, EF Mounting

Body Size	Amp Rating	Rated Voltage	Melting I ² t (A ² s x 10 ³)	Total I ² t @ 660VAC (A ² s x 10 ³)	** Watts Loss @ Rated Current (W)	Catalog No	New Description	Old Description
30	50	690	0.116	0.68	9	R300372	PC30UD69V50EF	6,9URD30EF0050
	63	690	0.2	1.09	14	H300088	PC30UD69V63EF	6,9URD30EF0063
	80	690	0.33	1.75	19	J300089	PC30UD69V80EF	6,9URD30EF0080
	100	690	0.47	2.5	26	K300090	PC30UD69V100EF	6,9URD30EF0100
	125	690	0.85	4.5	30	L300091	PC30UD69V125EF	6,9URD30EF0125
	160	690	1.6	8.5	37	M300092	PC30UD69V160EF	6,9URD30EF0160
	200	690	3	15.5	42/43	N300093	PC30UD69V200EF	6,9URD30EF0200
	250	690	5.8	30	48/50	P300094	PC30UD69V250EF	6,9URD30EF0250
	315	690	12	62	53/55	Q300095	PC30UD69V315EF	6,9URD30EF0315
	350	690	15.5	80	57/60	R300096	PC30UD69V350EF	6,9URD30EF0350
	400	690	23	120	60/65	S300097	PC30UD69V400EF	6,9URD30EF0400
31	200	690	2.6	14	45	C300037	PC31UD69V200EF	6,9URD31EF0200
	250	690	4.7	25	52	D300038	PC31UD69V250EF	6,9URD31EF0250
	315	690	7.5	40	65	E300039	PC31UD69V315EF	6,9URD31EF0315
	350	690	10.5	55	67	N300047	PC31UD69V350EF	6,9URD31EF0350
	400	690	19	100	68	F300040	PC31UD69V400EF	6,9URD31EF0400
	450	690	26.5	140	70	G300041	PC31UD69V450EF	6,9URD31EF0450
	500	690	37	195	70/72	H300042	PC31UD69V500EF	6,9URD31EF0500
	550	690	52	280	70/75	J300043	PC31UD69V550EF	6,9URD31EF0550
	630	690	75	390	75/85	K300044	PC31UD69V630EF	6,9URD31EF0630
700	690	95	490	85/95	L300045	PC31UD69V700EF	6,9URD31EF0700	
32	400	690	15	80	72/75	V300168	PC32UD69V400EF	6,9URD32EF0400
	450	690	22	115	77/80	W300169	PC32UD69V450EF	6,9URD32EF0450
	500	690	28	145	85/90	X300170	PC32UD69V500EF	6,9URD32EF0500
	550	690	37	195	90/95	Y300171	PC32UD69V550EF	6,9URD32EF0550
	630	690	54	280	95/105	Z300172	PC32UD69V630EF	6,9URD32EF0630
	700	690	76	400	100/110	A300173	PC32UD69V700EF	6,9URD32EF0700
	800	690	115	600	110/120	B300174	PC32UD69V800EF	6,9URD32EF0800
	900	660	170	900	110/125	C300175	PC32UD69V900EF	6,9URD32EF0900
	1000	660	240	1250	115/135	D300176	PC32UD69V1000EF	6,9URD32EF1000
33	500	690	19	100	105	Z300218	PC33UD69V500EF	6,9URD33EF0500
	550	690	27	140	105/110	A300219	PC33UD69V550EF	6,9URD33EF0550
	630	690	40	130	110/120	B300220	PC33UD69V630EF	6,9URD33EF0630
	700	690	55	300	115/125	C300221	PC33UD69V700EF	6,9URD33EF0700
	800	690	95	490	120/130	D300222	PC33UD69V800EF	6,9URD33EF0800
	900	690	135	700	120/135	E300223	PC33UD69V900EF	6,9URD33EF0900
	1000	690	170	900	135/155	F300224	PC33UD69V1000EF	6,9URD33EF1000
	1100	690	240	1260	135/160	G300225	PC33UD69V1100EF	6,9URD33EF1100
	1250	660	350	1850	150/180	H300226	PC33UD69V1250EF	6,9URD33EF1250
1400	660	480	2500	160/200	J300227	PC33UD69V1400EF	6,9URD33EF1400	

** Watts loss data is published for both blade and tapped style mounting configurations. When two watts loss values are shown this represents tapped/blade values respectively.

690/700 Volt PSC Square Body

690 Volt European/IEC Style Ratings and Application Data, TTF Mounting

Body Size	Amp Rating	Rated Voltage	Melting I ² t (A ² s x 10 ³)	Total I ² t @ 660VAC (A ² s x 10 ³)	** Watts Loss @ Rated Current (W)	Catalog No	New Description	Old Description
30	50	690	0.116	0.68	9	S300373C	PC30UD69V50TF	6,9URD30TTF0050
	63	690	0.2	1.09	14	M300000C	PC30UD69V63TF	6,9URD30TTF0063
	80	690	0.33	1.75	19	S300051C	PC30UD69V80TF	6,9URD30TTF0080
	100	690	0.47	2.5	26	T300052C	PC30UD69V100TF	6,9URD30TTF0100
	125	690	0.85	4.5	30	V300053C	PC30UD69V125TF	6,9URD30TTF0125
	160	690	1.6	8.5	37	W300054C	PC30UD69V160TF	6,9URD30TTF0160
	200	690	3	15.5	42/43	X300055C	PC30UD69V200TF	6,9URD30TTF0200
	250	690	5.8	30	48/50	Y300056C	PC30UD69V250TF	6,9URD30TTF0250
	315	690	12	62	53/55	Z300057C	PC30UD69V315TF	6,9URD30TTF0315
	350	690	15.5	80	57/60	A300058C	PC30UD69V350TF	6,9URD30TTF0350
	400	690	23	120	60/65	B300059C	PC30UD69V400TF	6,9URD30TTF0400
	450	660	26	153	80/88	V300398C	PC30UD69V450TF	6,9URD30TTF0450
	500	660	41	245	80/88	W300399C	PC30UD69V500TF	6,9URD30TTF0500
550	660	52	305	80/90	X300400C	PC30UD69V550TF	6,9URD30TTF0550	
31	200	690	2.6	14	45	N300001C	PC31UD69V200TF	6,9URD31TTF0200
	250	690	4.7	25	52	P300002C	PC31UD69V250TF	6,9URD31TTF0250
	315	690	7.5	40	65	Q300003C	PC31UD69V315TF	6,9URD31TTF0315
	350	690	10.5	55	67	M300046C	PC31UD69V350TF	6,9URD31TTF0350
	400	690	19	100	68	R300004C	PC31UD69V400TF	6,9URD31TTF0400
	450	690	26.5	140	70	S300005C	PC31UD69V450TF	6,9URD31TTF0450
	500	690	37	195	70/72	T300006C	PC31UD69V500TF	6,9URD31TTF0500
	550	690	52	280	70/75	V300007C	PC31UD69V550TF	6,9URD31TTF0550
	630	690	75	390	75/85	W300008C	PC31UD69V630TF	6,9URD31TTF0630
	700	690	95	490	85/95	X300009C	PC31UD69V700TF	6,9URD31TTF0700
800	660	140	815	105/120	Y300401C	PC31UD69V800TF	6,9URD31TTF0800	
32	400	690	15	80	72/75	H300065C	PC32UD69V400TF	6,9URD32TTF0400
	450	690	22	115	77/80	J300066C	PC32UD69V450TF	6,9URD32TTF0450
	500	690	28	145	85/90	K300067C	PC32UD69V500TF	6,9URD32TTF0500
	550	690	37	195	90/95	L300068C	PC32UD69V550TF	6,9URD32TTF0550
	630	690	54	280	95/105	M300069C	PC32UD69V630TF	6,9URD32TTF0630
	700	690	76	400	100/110	N300070C	PC32UD69V700TF	6,9URD32TTF0700
	800	690	115	600	110/120	P300071C	PC32UD69V800TF	6,9URD32TTF0800
	900	660	170	900	110/125	Q300072C	PC32UD69V900TF	6,9URD32TTF0900
	1000	660	240	1250	115/135	S300074C	PC32UD69V1000TF	6,9URD32TTF1000
	1100	600	270	1620	140/165	M300759C	PC32UD60V1100TF	6URD32TTF1100
1250	500	410	1940	150/180	P301060C	PC32UD55V1250TF	5,5URD32TTF1250	
33	500	690	19	100	105	V300076C	PC33UD69V500TF	6,9URD33TTF0500
	550	690	27	140	105/110	W300077C	PC33UD69V550TF	6,9URD33TTF0550
	630	690	40	130	110/120	X300078C	PC33UD69V630TF	6,9URD33TTF0630
	700	690	55	300	115/125	Y300079C	PC33UD69V700TF	6,9URD33TTF0700
	800	690	95	490	120/130	Z300080C	PC33UD69V800TF	6,9URD33TTF0800
	900	690	135	700	120/135	A300081C	PC33UD69V900TF	6,9URD33TTF0900
	1000	690	170	900	135/155	B300082C	PC33UD69V1000TF	6,9URD33TTF1000
	1100	690	240	1260	135/160	C300083C	PC33UD69V1100TF	6,9URD33TTF1100
	1250	660	350	1850	150/180	D300084C	PC33UD69V1250TF	6,9URD33TTF1250
	1400	660	480	2500	160/200	E300085C	PC33UD69V1400TF	6,9URD33TTF1400
	1500	600	500		220	Y300585C	PC33UD60V1500TF	6URD33TTF1500
	1600	600	555		210/240	Z300586C	PC33UD60V1600TF	6URD33TTF1600
	1800	600	720		225/260	A300587C	PC33UD60V1800TF	6URD33TTF1800
	2000	550	950		250/290	B300588C	PC33UD55V2000TF	5,5URD33TTF2000
	2250	500	1250		280/330	K300757C	PC33UD50V2250TF	5URD33TTF2250
2500	450	1870		280/330	L300758C	PC33UD45V2500TF	4,5URD33TTF2500	

** Watts loss data is published for both blade and tapped style mounting configurations. When two watts loss values are shown this represents tapped/blade values respectively.

690/700 Volt PSC Square Body

700 Volt North American Style Ratings and Application Data, LI Mounting

Body Size	Amp Rating	Rated Voltage	Melting I ² t (A ² s x 10 ³)	Total I ² t @ 660VAC (A ² s x 10 ³)	** Watts Loss @ Rated Current (W)	Catalog No	New Description	Old Description
30	63	700	0.2	1.2	14	M300138	A070UD30LI63	A070URD30LI0063
	80	700	0.33	1.9	19	N300139	A070UD30LI080	A070URD30LI0080
	100	700	0.47	2.7	26	P300140	A070UD30LI100	A070URD30LI0100
	125	700	0.85	4.9	30	Q300141	A070UD30LI125	A070URD30LI0125
	160	700	1.6	9.2	37	R300142	A070UD30LI160	A070URD30LI0160
	200	700	3	16.7	42/43	S300143	A070UD30LI200	A070URD30LI0200
	250	700	5.8	32.4	48/50	T300144	A070UD30LI250	A070URD30LI0250
	315	700	12	67	53/55	V300145	A070UD30LI315	A070URD30LI0315
	350	700	15.5	86	57/60	W300146	A070UD30LI350	A070URD30LI0350
	400	700	23	130	60/65	X300147	A070UD30LI400	A070URD30LI0400
	450	700	26	165	80/88	K300527	A070UD30LI450	A070URD30LI0450
	500	700	41	264	80/88	L300528	A070UD30LI500	A070URD30LI0500
	550	700	52	330	80/90	M300529	A070UD30LI550	A070URD30LI0550
31	200	700	2.5	14.6	45	V300697	A070UD31LI200	A070URD31LI0200
	250	700	4.7	27	52	W300698	A070UD31LI250	A070URD31LI0250
	315	700	7.5	43	65	X300699	A070UD31LI315	A070URD31LI0315
	350	700	10.5	59	67	Y300700	A070UD31LI350	A070URD31LI0350
	400	700	19	110	68	Z300701	A070UD31LI400	A070URD31LI0400
	450	700	26.5	150	70	A300702	A070UD31LI450	A070URD31LI0450
	500	700	37	210	70/72	B300703	A070UD31LI500	A070URD31LI0500
	550	700	52	300	70/75	C300704	A070UD31LI550	A070URD31LI0550
	630	700	75	421	75/85	D300705	A070UD31LI630	A070URD31LI0630
	700	700	95	530	85/95	E300706	A070UD31LI700	A070URD31LI0700
32	800	700	140	880	105/120	F300707	A070UD31LI800	A070URD31LI0800
	400	700	15	86	72/75	J300204	A070UD32LI400	A070URD32LI0400
	450	700	22	124	77/80	K300205	A070UD32LI450	A070URD32LI0450
	500	700	28	157	85/90	L300206	A070UD32LI500	A070URD32LI0500
	550	700	37	211	90/95	M300207	A070UD32LI550	A070URD32LI0550
	630	700	54	302	95/105	N300208	A070UD32LI630	A070URD32LI0630
	700	700	76	432	100/110	P300209	A070UD32LI700	A070URD32LI0700
	800	700	115	648	110/120	Q300210	A070UD32LI800	A070URD32LI0800
	900	700	170	972	110/125	R300211	A070UD32LI900	A070URD32LI0900
	1000	700	240	1350	115/135	S300212	A070UD32LI1000	A070URD32LI1000
	1100	650	270	1620	140/165	B301071	A065UD32LI1100	A065URD32LI1100
	1250	600	410	2100	150/180	C301072	A060UD32LI1250	A060URD32LI1250
	1400	550	555	2600	160/190	D301073	A055UD32LI1400	A055URD32LI1400
33	1600	550	870	4000	165/195	E301074	A055UD32LI1600	A055URD32LI1600
	1800	500	1050	4400	195/330	F301075	A050UD32LI1800	A050URD32LI1800
	500	700	19	108	105	K300228	A070UD33LI500	A070URD33LI0500
	550	700	27	151	105/110	L300229	A070UD33LI550	A070URD33LI0550
	630	700	40	227	110/120	M300230	A070UD33LI630	A070URD33LI0630
	700	700	55	324	115/125	N300231	A070UD33LI700	A070URD33LI0700
	800	700	95	529	120/130	P300232	A070UD33LI800	A070URD33LI0800
	900	700	135	760	120/135	Q300233	A070UD33LI900	A070URD33LI0900
	1000	700	170	970	135/155	R300234	A070UD33LI1000	A070URD33LI1000
	1100	700	240	1360	135/160	S300235	A070UD33LI1100	A070URD33LI1100
	1250	700	350	2000	150/180	T300236	A070UD33LI1250	A070URD33LI1250
	1400	700	480	2700	160/200	V300237	A070UD33LI1400	A070URD33LI1400
	1600	650	555	3250	210/240	G301076	A065UD33LI1600	A065URD33LI1600
1800	650	720	4330	225/260	H301077	A065UD33LI1800	A065URD33LI1800	
2000	600	950	5000	250/290	J301078	A060UD33LI2000	A060URD33LI2000	
2250	550	1250	5900	280/330	K301079	A055UD33LI2250	A055URD33LI2250	
2500	500	1870	7600	280/330	L301080	A050UD33LI2500	A050URD33LI2500	

** Watts loss data is published for both blade and tapped style mounting configurations. When two watts loss values are shown this represents tapped/blade values respectively.

690/700 Volt PSC Square Body

700 Volt North American Style Ratings and Application Data, KI Mounting

Body Size	Amp Rating	Rated Voltage	Melting I ² t (A ² s x 10 ³)	Total I ² t @ 660VAC (A ² s x 10 ³)	** Watts Loss @ Rated Current (W)	Catalog No	New Description	Old Description
30	63	700	0.2	11.2	14	B300128	A070UD30KI63	A070URD30KI0063
	80	700	0.33	1.9	19	C300129	A070UD30KI80	A070URD30KI0080
	100	700	0.47	2.7	26	D300130	A070UD30KI100	A070URD30KI0100
	125	700	0.85	4.9	30	E300131	A070UD30KI125	A070URD30KI0125
	160	700	1.6	9.2	37	F300132	A070UD30KI160	A070URD30KI0160
	200	700	3	16.7	42/43	G300133	A070UD30KI200	A070URD30KI0200
	250	700	5.8	32.4	48/50	H300134	A070UD30KI250	A070URD30KI0250
	315	700	12	67	53/55	J300135	A070UD30KI315	A070URD30KI0315
	350	700	15.5	86	57/60	K300136	A070UD30KI350	A070URD30KI0350
	400	700	23	130	60/65	L300137	A070UD30KI400	A070URD30KI0400
	450	700	26	165	80/88	T301064	A070UD30KI450	A070URD30KI0450
	500	700	41	264	80/88	V301065	A070UD30KI500	A070URD30KI0500
550	700	52	330	80/90	W301066	A070UD30KI550	A070URD30KI0550	
31	200	700	2.5	14.6	45	S300028	A070UD31KI200	A070URD31KI0200
	250	700	4.7	27	52	T300029	A070UD31KI250	A070URD31KI0250
	315	700	7.5	43	65	V300030	A070UD31KI315	A070URD31KI0315
	350	700	10.5	59	67	R300050	A070UD31KI350	A070URD31KI0350
	400	700	19	110	68	W300031	A070UD31KI400	A070URD31KI0400
	450	700	26.5	150	70	X300032	A070UD31KI450	A070URD31KI0450
	500	700	37	210	70/72	Y300033	A070UD31KI500	A070URD31KI0500
	550	700	52	300	70/75	Z300034	A070UD31KI550	A070URD31KI0550
	630	700	75	421	75/85	A300035	A070UD31KI630	A070URD31KI0630
	700	700	95	530	85/95	B300036	A070UD31KI700	A070URD31KI0700
800	700	140	880	105/120	A301070	A070UD31KI800	A070URD31KI0800	
32	400	700	15	86	72/75	Z300195	A070UD32KI400	A070URD32KI0400
	450	700	22	124	77/80	A300196	A070UD32KI450	A070URD32KI0450
	500	700	28	157	85/90	B300197	A070UD32KI500	A070URD32KI0500
	550	700	37	211	90/95	C300198	A070UD32KI550	A070URD32KI0550
	630	700	54	302	85/105	D300199	A070UD32KI630	A070URD32KI0630
	700	700	76	432	100/110	E300200	A070UD32KI700	A070URD32KI0700
	800	700	115	648	110/120	F300201	A070UD32KI800	A070URD32KI0800
	900	700	170	972	110/125	G300202	A070UD32KI900	A070URD32KI0900
	1000	700	240	1350	115/135	H300203	A070UD32KI1000	A070URD32KI1000
	500	700	19	108	105	W300238	A070UD33KI500	A070URD33KI0500
33	550	700	27	151	105/110	X300239	A070UD33KI550	A070URD33KI0550
	630	700	40	227	110/120	Y300240	A070UD33KI630	A070URD33KI0630
	700	700	55	324	115/125	Z300241	A070UD33KI700	A070URD33KI0700
	800	700	95	529	120/130	A300242	A070UD33KI800	A070URD33KI0800
	900	700	135	760	120/135	B300243	A070UD33KI900	A070URD33KI0900
	1000	700	170	970	135/155	C300244	A070UD33KI1000	A070URD33KI1000
	1100	700	240	1360	135/160	D300245	A070UD33KI1100	A070URD33KI1100
	1250	700	350	2000	150/180	E300246	A070UD33KI1250	A070URD33KI1250
	1400	700	480	2700	160/200	F300247	A070UD33KI1400	A070URD33KI1400
	1600	650	555	3250	210/240	E302063	A065UD33KI1600	A065URD33KI1600

** Watts loss data is published for both blade and tapped style mounting configurations. When two watts loss values are shown this represents tapped/blade values respectively.

690/700 Volt PSC Square Body

700 Volt North American Style Ratings and Application Data, TTI Mounting

Body Size	Amp Rating	Rated Voltage	Melting I ² t (A ² s x 10 ³)	Total I ² t @ 660VAC (A ² s x 10 ³)	** Watts Loss @ Rated Current (W)	Catalog No	New Description	Old Description
30	63	700	0.2	1.2	14	A301967	A070UD30TTI63	A070URD30TTI0063
	80	700	0.33	1.9	19	V301962	A070UD30TTI80	A070URD30TTI0080
	100	700	0.47	2.7	26	W300744	A070UD30TTI100	A070URD30TTI0100
	125	700	0.85	4.9	30	G300708	A070UD30TTI125	A070URD30TTI0125
	160	700	1.6	9.2	37	N300576	A070UD30TTI160	A070URD30TTI0160
	200	700	3	16.7	42/43	P300577	A070UD30TTI200	A070URD30TTI0200
	250	700	5.8	32.4	48/50	Q300578	A070UD30TTI250	A070URD30TTI0250
	315	700	12	67	53/55	R300579	A070UD30TTI315	A070URD30TTI0315
	350	700	15.5	86	57/60	S300580	A070UD30TTI350	A070URD30TTI0350
	400	700	23	130	60/65	T300581	A070UD30TTI400	A070URD30TTI0400
	450	700	26	165	80/88	V300582	A070UD30TTI450	A070URD30TTI0450
	500	700	41	264	80/88	W300583	A070UD30TTI500	A070URD30TTI0500
	550	700	52	330	80/90	X300584	A070UD30TTI550	A070URD30TTI0550
	31	200	700	2.5	14.6	45	A300472	A070UD31TTI200
250		700	4.7	27	52	B300473	A070UD31TTI250	A070URD31TTI0250
315		700	7.5	43	65	C300474	A070UD31TTI315	A070URD31TTI0315
350		700	10.5	59	67	D300475	A070UD31TTI350	A070URD31TTI0350
400		700	19	110	68	E300476	A070UD31TTI400	A070URD31TTI0400
450		700	26.5	150	70	F300477	A070UD31TTI450	A070URD31TTI0450
500		700	37	210	70/72	G300478	A070UD31TTI500	A070URD31TTI0500
550		700	52	300	70/75	H300479	A070UD31TTI550	A070URD31TTI0550
630		700	75	421	75/85	J300480	A070UD31TTI630	A070URD31TTI0630
700		700	95	530	85/95	K300481	A070UD31TTI700	A070URD31TTI0700
32	400	700	15	86	72/75	L300482	A070UD31TTI800	A070URD31TTI0800
	450	700	22	124	77/80	N300461	A070UD32TTI450	A070URD32TTI0450
	500	700	28	157	85/90	P300462	A070UD32TTI500	A070URD32TTI0500
	550	700	37	211	90/95	R300464	A070UD32TTI550	A070URD32TTI0550
	630	700	54	302	95/105	S300465	A070UD32TTI630	A070URD32TTI0630
	700	700	76	432	100/110	T300466	A070UD32TTI700	A070URD32TTI0700
	800	700	115	648	110/120	V300467	A070UD32TTI800	A070URD32TTI0800
	900	700	170	972	110/125	W300468	A070UD32TTI900	A070URD32TTI0900
	1000	700	240	1350	115/135	X300469	A070UD32TTI1000	A070URD32TTI1000
	1100	650	270	1620	140/165	M301081	A065UD32TTI1100	A065URD32TTI1100
	1250	600	410	2100	150/180	N301082	A060UD32TTI1250	A060URD32TTI1250
	1400	550	555	2600	160/190	P301083	A055UD32TTI1400	A055URD32TTI1400
	1600	550	870	4000	165/195	Q301084	A055UD32TTI1600	A055URD32TTI1600
	1800	500	1050	4400	195/330	R301085	A050UD32TTI1800	A050URD32TTI1800
33	500	700	19	108	105	X300446	A070UD33TTI500	A070URD33TTI0500
	550	700	27	151	105/110	Y300447	A070UD33TTI550	A070URD33TTI0550
	630	700	40	227	110/120	Z300448	A070UD33TTI630	A070URD33TTI0630
	700	700	55	324	115/125	A300449	A070UD33TTI700	A070URD33TTI0700
	800	700	95	529	120/130	T300443	A070UD33TTI800	A070URD33TTI0800
	900	700	135	760	120/135	B300450	A070UD33TTI900	A070URD33TTI0900
	1000	700	170	970	135/155	C300451	A070UD33TTI1000	A070URD33TTI1000
	1100	700	240	1360	135/160	D300452	A070UD33TTI1100	A070URD33TTI1100
	1250	700	350	2000	150/180	E300453	A070UD33TTI1250	A070URD33TTI1250
	1400	700	480	2700	160/200	F300454	A070UD33TTI1400	A070URD33TTI1400
	1600	650	555	3250	210/240	S301086	A065UD33TTI1600	A065URD33TTI1600
	1800	650	720	4330	225/260	T301087	A065UD33TTI1800	A065URD33TTI1800
	2000	600	950	5000	250/290	V301088	A060UD33TTI2000	A060URD33TTI2000
	2250	550	1250	5900	280/330	W301089	A055UD33TTI2250	A055URD33TTI2250
	2500	500	1870	7600	280/330	Y300838	A050UD33TTI2500	A050URD33TTI2500

** Watts loss data is published for both blade and tapped style mounting configurations. When two watts loss values are shown this represents tapped/blade values respectively.

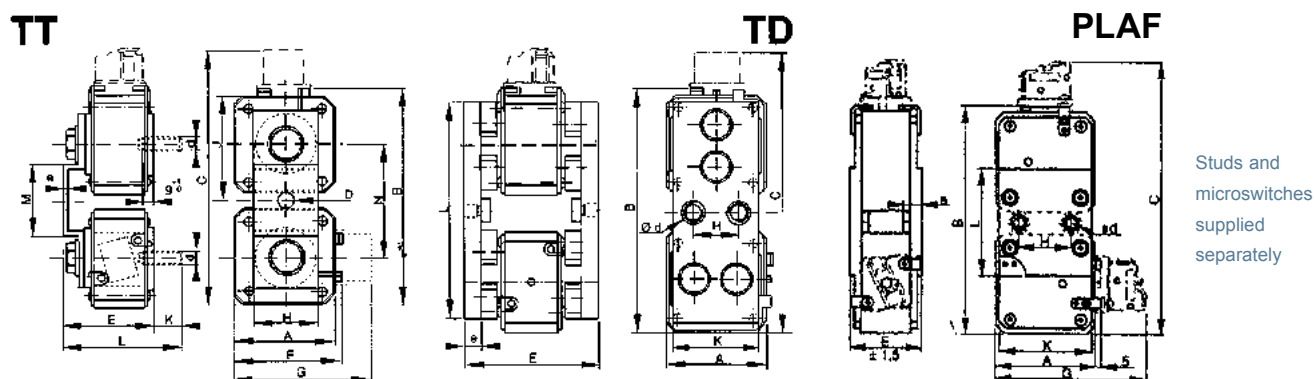
690/700 Volt PSC Square Body

2x32, 2x33

Size	Catalog No	New Description	Old Description	Weight (g)
2 X 32	T300213A	PC232UD69V10CTF	6,9URD232TTF1000	1240
	V300214A	PC232UD69V13CTF	6,9URD232TTF1250	
	G300087A	PC232UD69V14CTF	6,9URD232TTF1400	
	W300215A	PC232UD69V16CTD	6,9URD232TDF1600	3300
	X300216A	PC232UD69V18CTD	6,9URD232TDF1800	
	Y300217A	PC232UD69V20CTD	6,9URD232TDF2000	
	D301993A	PC232UD55V22CTD	5,5URD232TDF2200	
2 X 33	D300268A	PC233UD69V13CTF	6,9URD233TTF1250	1900
	E300269A	PC233UD69V14CTF	6,9URD233TTF1400	
	F300270A	PC233UD69V16CTF	6,9URD233TTF1600	
	B300427A	PC36UD69V18CP11	6,9URD233PLAF1800	2000
	R302235A	PC36UD60V20CP11	6URD233PLAF2000	
	Q302234A	PC36UD60V22CP11	6URD233PLAF2200	
	P302233A	PC36UD60V25CP11	6URD233PLAF2500	
	N302232A	PC36UD60V28CP11	6URD233PLAF2800	
	L301977A	PC36UD55V30CP11	5,5URD233PLAF3000	
	M301978A	PC36UD55V32CP11	5,5URD233PLAF3200	
	N301979A	PC36UD50V36CP11	5URD233PLAF3600	
	P301980A	PC36UD50V40CP11	5URD233PLAF4000	
	Q301981A	PC36UD45V45CP11	4,5URD233PLAF4500	
	R301982A	PC36UD40V50CP11	4URD233PLAF5000	

Dimensions (mm)

Size	A	B	C	D	E	F	G	H	J	K	d	e	L	M	N
2x32 TT	60	138,5	172	11	67,6	66,5	100	35	61	40	M 10	4	107,5	48	72
2x33 TT	74,5	167	200	13	67,6	81	114	50	80	40	M 12	4	107,5	54	86
2x32 TD	65,5	147	182	-	91,5	-	-	30	-	60	M 10	12	140	-	-
2x33 PLAF	75	171,5	207	-	55,5	-	115	40	-	71	M 10	15	81	-	-



1250/1300 Volt PSC Square Body

Mersen 1250/1300V PSC fuse-links provide maximum flexibility in equipment design and ultimate protection for today's power conversion equipment. These square body fuse-links are available in four different body sizes, each size having four worldwide acceptable mounting styles. The different mounting styles and body sizes along with a broad range of ampere ratings allow greatest flexibility in equipment design.

Mersen PSC fuses have been engineered to provide state-of-the-art protection for SCR's, diodes, thyristors, GTO's and IGBT devices. They have pure silver die-cut elements embedded in solidified sand which helps control arcing characteristics for low I^2t and high interrupting rating. All contact surfaces are silver plated and all hardware is non-magnetic.

All fuse links are equipped with a low voltage trip-indicator. This trip-indicator can operate a field mountable microswitch which is easily mounted directly onto the fuse even while in service.

Features/Benefits:

- Choice of mounting styles gives wide choice for equipment design
- Broad range of ampere ratings in a given body size for design flexibility
- IEC 269-4 compliance for fuses for worldwide semiconductor applications

*For Microswitch information see page J9

Highlights:

- Extremely fast acting
- Current limiting
- Very low I^2t
- Superior cycling ability

Applications:

- Protection of rectifiers, inverters, DC drives, UPS Systems, reduced voltage motor starters, and other equipment in globally accepted applications



Ratings:

- Volts** : 650-1300 VAC
- Amps** : AC - 50-1800A
- I.R.** : 100kA I.R. AC
- DC** : Consult Factory

Approvals:

- UL recognized component File E76491
- Sizes 70,71,72,73 tested to IEC 269.4

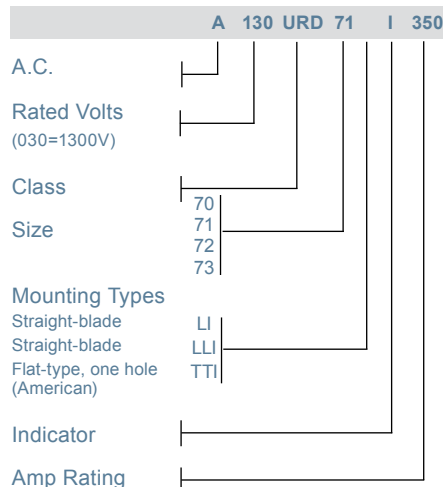


Part Number Designation:

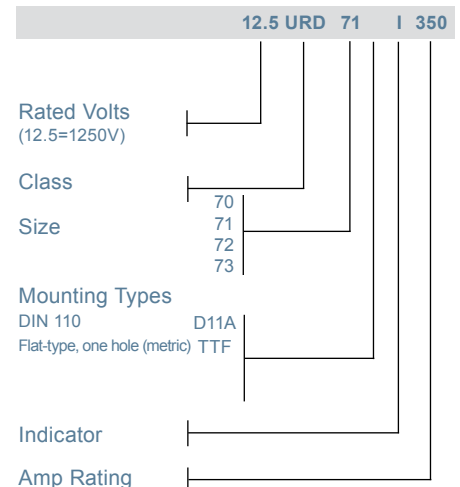
- 12,5 URD:** European/IEC
Mounting Style/Approval
Tested @ 1.1 V_N
- A130 URD:** North American
Mounting Style/Approval
Tested @ V_N

* V_N = rated voltage

N. American Reference Numbering System



European Reference Numbering System



1250/1300 Volt PSC Square Body

European Blade DIN 110, Type D11A

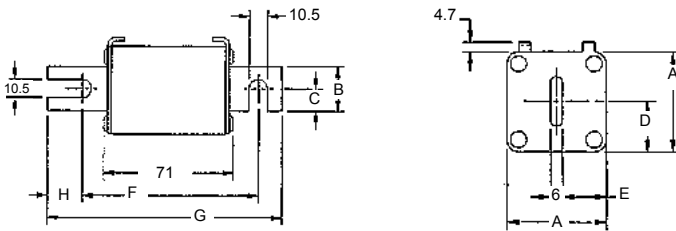
Body Size	Type	Dimensions - mm (in)						
		A	B	C	D	E	F	G
70	D11	40 (1.57)	25 (.98)	12.5 (.49)	21 (.83)	17 (.67)	100.4 (3.95)	133.4 (5.25)
71		51 (2.01)	25 (.98)	12.5 (.49)	25.5 (1.00)	22.5 (.89)	100.4 (3.95)	133.4 (5.25)
72		60 (2.36)	32 (1.26)	16 (.63)	30 (1.18)	27 (1.06)	100.4 (3.95)	133.4 (5.25)
73		74.5 (2.93)	40 (1.57)	20 (.79)	37.2 (1.46)	34.25 (1.35)	100.4 (3.95)	133.4 (5.25)

North American Straight Blade, Types LI & LLI

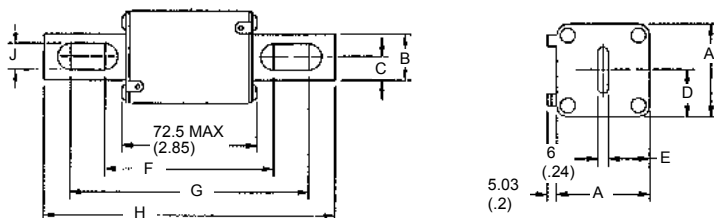
Body Size	Type	Dimensions - mm (in)								
		A	B	C	D	E	F	G	H	J
70	LI	40	25	12.5	21	18	91.4	130.4	152.4	10.5
		(1.57)	(0.98)	(0.49)	(0.83)	(0.71)	(3.60)	(5.13)	(6.00)	(0.41)
71	LLI	51	25	12.5	25.5	22.5	91.4	130.4	152.4	14.6
		(2.01)	(0.98)	(0.49)	(1.00)	(0.89)	(3.60)	(5.13)	(6.00)	(0.57)
72	LI	60	32	16	30	27	97.6	132.4	157.4	14.6
		(2.36)	(1.26)	(0.63)	(1.18)	(1.06)	(3.84)	(5.2)	(6.20)	(0.57)
73	LI	74.5	40	20	37.2	34.2	98.8	132.4	157.4	15.9
		(2.93)	(1.57)	(0.79)	(1.46)	(1.35)	(3.89)	(5.21)	(6.20)	(0.63)

Outline Dimensions

Type D11A



Types LI and LLI

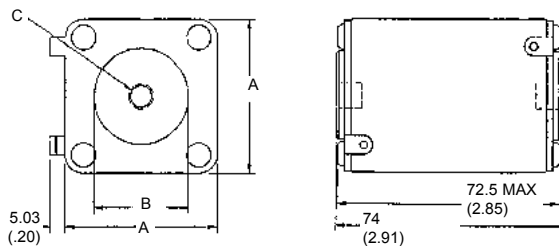


1250/1300 Volt PSC Square Body

1250/1300 Volt North American and European Flat Single Hole, Type TTI/TTF

Body Size	Type	Dimensions - mm/(In)		Tapped Hole (N. A.)	Tapped Hole (EURO.)
		A	B	C (TTI)	D (TTF)
70	TTI/TTF	40 (1.57)	25 (1.00)	5/16-18 X .23DP	M8 X 1.25 X 6 DP
71		50.8 (2.00)	30.2 (1.19)	5/16-18 X .36DP	M8 X 1.25 X 9 DP
72		60.3 (2.37)	38.1 (1.50)	3/8-16 X .36DP	M10 X 1.50 X 9 DP
73		74.6 (2.94)	46 (1.81)	M12 X 1.75 X DP	M12 X 1.75 X 9 DP

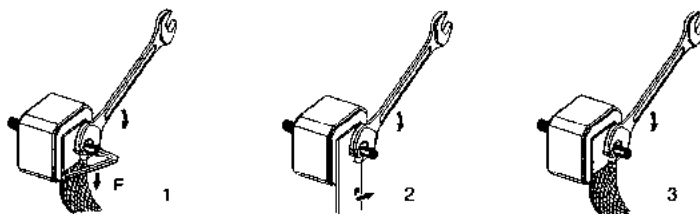
Types TTI and TTF



Standard Threaded Studs

Size	Ref. and Dimension Per Pair of Studs	Weight (g)	Max Stud Mounting Torque (Nm)	Max Nut Tightening Torque (Nm)		
				Fig. 1	Fig. 2	Fig. 3
70 & 71	S 98 801 (HC M8 X 30 & M 8 X 35)	23	13	13.5	13.5	13.5
72	T 98 802 (HC M 10 X 30 & M 10 X 50)	40	15	26	26	26
73	V 98 803 (HC M 12 X 35 & M 12 X 50)	60		46	46	15
2X72	W 98 804 (HC M 10 X 50)	50		26	26	26
2X73	X 98 805 (HC M 12 X 50)	70		46	46	15

Packaging: 6 pairs



1250/1300 Volt PSC Square Body

1250 Volt European/IEC Style Ratings and Application Data, D11A Mounting

Body Size	Amp Rating	Rated Voltage	Melting I ² t (A ² s x 10 ³)	Total I ² t @ 660VAC (A ² s x 10 ³)	** Watts Loss @ Rated Current (W)	Catalog No	New Description	Old Description
70	50	1250	0.116	0.98	16	J301906	PC70UD13C50D1A	12,5URD70D11A0050
	63	1250	0.21	1.7	26	V300536	PC70UD13C63D1A	12,5URD70D11A0063
	80	1250	0.47	3.8	27	W300537	PC70UD13C80D1A	12,5URD70D11A0080
	100	1250	0.83	6.7	30	X300538	PC70UD13C100D1A	12,5URD70D11A0100
	125	1250	1.3	10.5	38	Y300539	PC70UD13C125D1A	12,5URD70D11A0125
	160	1250	2.5	21	45	Z300540	PC70UD13C160D1A	12,5URD70D11A0160
	200	1250	4.7	37.8	54/56	A300541	PC70UD13C200D1A	12,5URD70D11A0200
	250	1250	9.6	77	58/61	B300542	PC70UD13C250D1A	12,5URD70D11A0250
	280	1200	14	107	61	J300710	PC70UD12C280D1A	12URD70D11A0280
	315	1200	20	150	66	C300543	PC70UD12C315D1A	12URD70D11A0315
	350	1100	28	180	68/75	D300544	PC70UD11C350D1A	11URD70D11A0350
	400	1100	39	254	81	F300868	PC70UD11C400D1A	11URD70D11A0400
71	160	1250	2.6	21	46	D300751	PC71UD13C160D1A	12,5URD71D11A0160
	200	1250	4.7	38	54	E300545	PC71UD13C200D1A	12,5URD71D11A0200
	250	1250	8.9	71	61	F300546	PC71UD13C250D1A	12,5URD71D11A0250
	315	1250	16	130	73/76	G300547	PC71UD13C315D1A	12,5URD71D11A0315
	350	1250	22	180	76/80	H300548	PC71UD13C350D1A	12,5URD71D11A0350
	400	1250	38	310	76/80	J300549	PC71UD13C400D1A	12,5URD71D11A0400
	450	1250	47	380	87/95	K300550	PC71UD13C450D1A	12,5URD71D11A0450
	500	1100	68	440	90/100	L300551	PC71UD11C500D1A	11URD71D11A0500
	550	1100	84	540	98/112	M300552	PC71UD11C550D1A	11URD71D11A0550
	630	1000	125	810	105	N300553	PC71UD10C630D1A	10URD71D11A0630
72	280	1250	10	84	72	P300554	PC72UD13C280D1A	12,5URD72D11A0280
	315	1250	15	122	76	Q300555	PC72UD13C315D1A	12,5URD72D11A0315
	350	1250	21	170	77	R300556	PC72UD13C350D1A	12,5URD72D11A0350
	400	1250	32.5	270	80	S300557	PC72UD13C400D1A	12,5URD72D11A0400
	450	1250	44	360	87/89	T300558	PC72UD13C450D1A	12,5URD72D11A0450
	500	1250	57	460	94/98	V300559	PC72UD13C500D1A	12,5URD72D11A0500
	550	1250	68	550	110/120	W300560	PC72UD13C550D1A	12,5URD72D11A0550
	630	1100	105	850	113	X300561	PC72UD11C630D1A	11URD72D11A0630
	700	1000	145	910	122	Y300562	PC72UD10C700D1A	10URD72D11A0700
	800	1000	215	1400	125	Z300563	PC72UD10C800D1A	10URD72D11A0800
	900	1000	312	1800	130	H300870	PC72UD10C900D1A	10URD72D11A0900
73	315	1250	12	95	84	A300564	PC73UD13C315D1A	12,5URD73D11A0315
	350	1250	117	140	86	B300565	PC73UD13C350D1A	12,5URD73D11A0350
	400	1250	25	200	93	C300566	PC73UD13C400D1A	12,5URD73D11A0400
	450	1250	35.5	290	99/100	D300567	PC73UD13C450D1A	12,5URD73D11A0450
	500	1250	44	360	110/112	E300568	PC73UD13C500D1A	12,5URD73D11A0500
	550	1250	57	460	116/120	F300569	PC73UD13C550D1A	12,5URD73D11A0550
	630	1250	84	680	125/132	G300570	PC73UD13C630D1A	12,5URD73D11A0630
	700	1200	110	900	135	H300571	PC73UD12C700D1A	12URD73D11A0700
	800	1100	190	1530	136	J300572	PC73UD11C800D1A	11URD73D11A0800
	900	1000	250	1870	150	K300573	PC73UD10C900D1A	10URD73D11A0900
	1000	900	370	2130	152	L300574	PC73UD90V10CD1A	9URD73D11A1000
	1100	900	445	2470	168	M300575	PC73UD90V11CD1A	9URD73D11A1100

** Watts loss data is published for both blade and tapped style mounting configurations. When two watts loss values are shown this represents tapped/blade values respectively.

1250/1300 Volt PSC Square Body

1250 Volt European/IEC Style Ratings and Application Data, TTF Mounting

Body Size	Amp Rating	Rated Voltage	Melting I ² t (A ² s x 10 ³)	Total I ² t @ 660VAC (A ² s x 10 ³)	** Watts Loss @ Rated Current (W)	Catalog No	New Description	Old Description
70	50	1250	0.116	0.98	16	C301095	PC70UD13C50TF	12,5URD70TTF0050
	63	1250	0.21	1.7	26	M300483	PC70UD13C63TF	12,5URD70TTF0063
	80	1250	0.47	3.8	27	N300484	PC70UD13C80TF	12,5URD70TTF0080
	100	1250	0.83	6.7	30	P300485	PC70UD13C100TF	12,5URD70TTF0100
	125	1250	1.3	10.5	38	Q300486	PC70UD13C125TF	12,5URD70TTF0125
	160	1250	2.5	21	45	R300487	PC70UD13C160TF	12,5URD70TTF0160
	200	1250	4.7	37.8	54/56	S300488	PC70UD13C200TF	12,5URD70TTF0200
	250	1250	9.6	77	58/61	T300489	PC70UD13C250TF	12,5URD70TTF0250
	280	1200	14	107	64	N300714	PC70UD12C280TF	12URD70TTF0280
	315	1200	20	150	72	V300490	PC70UD12C315TF	12URD70TTF0315
	350	1100	28	180	68/75	W300491	PC70UD11C350TF	11URD70TTF0350
400	1100	39	254	81	E300867	PC70UD11C400TF	11URD70TTF0400	
71	160	1250	2.6	21	46	B300749	PC71UD13C160TF	12,5URD71TTF0160
	200	1250	4.7	38	54	Z300517	PC71UD13C200TF	12,5URD71TTF0200
	250	1250	8.9	71	61	A300518	PC71UD13C250TF	12,5URD71TTF0250
	315	1250	16	130	73/76	B300519	PC71UD13C315TF	12,5URD71TTF0315
	350	1250	22	180	76/80	C300520	PC71UD13C350TF	12,5URD71TTF0350
	400	1250	38	310	76/80	D300521	PC71UD13C400TF	12,5URD71TTF0400
	450	1250	47	380	87/95	E300522	PC71UD13C450TF	12,5URD71TTF0450
	500	1100	68	440	90/100	F300523	PC71UD11C500TF	11URD71TTF0500
	550	1100	84	540	98/112	G300524	PC71UD11C550TF	11URD71TTF0550
630	1100	125	810	120	H300525	PC71UD11C630TF	11URD71TTF0630	
72	280	1250	10	84	72	Y300493	PC72UD13C280TF	12,5URD72TTF0280
	315	1250	15	122	76	Z300494	PC72UD13C315TF	12,5URD72TTF0315
	350	1250	21	170	77	A300495	PC72UD13C350TF	12,5URD72TTF0350
	400	1250	32.5	270	80	B300496	PC72UD13C400TF	12,5URD72TTF0400
	450	1250	44	360	87/89	C300497	PC72UD13C450TF	12,5URD72TTF0450
	500	1250	57	460	94/98	D300498	PC72UD13C500TF	12,5URD72TTF0500
	550	1250	68	550	110/120	E300499	PC72UD13C550TF	12,5URD72TTF0550
	630	1250	105	850	125	F300500	PC72UD13C630TF	12,5URD72TTF0630
	700	1100	145	910	140	G300501	PC72UD11C700TF	11URD72TTF0700
	800	1100	215	1400	146	H300502	PC72UD11C800TF	11URD72TTF0800
	900	1000	312	1800	130	G300869	PC72UD10C900TF	10URD72TTF0900
1000	850	-	-	136	T301294	PC72UD85V1000TF	8,5URD72TTF1000	
73	315	1250	12	95	84	J300503	PC73UD13C315TF	12,5URD73TTF0315
	350	1250	17	140	86	K300504	PC73UD13C350TF	12,5URD73TTF0350
	400	1250	25	200	93	L300505	PC73UD13C400TF	12,5URD73TTF0400
	450	1250	35.5	290	99/100	M300506	PC73UD13C450TF	12,5URD73TTF0450
	500	1250	44	360	110/112	N300507	PC73UD13C500TF	12,5URD73TTF0500
	550	1250	57	460	116/120	P300508	PC73UD13C550TF	12,5URD73TTF0550
	630	1250	84	680	125/132	Q300509	PC73UD13C630TF	12,5URD73TTF0630
	700	1250	110	900	146	R300510	PC73UD13C700TF	12,5URD73TTF0700
	800	1250	190	1530	148	S300511	PC73UD13C800TF	12,5URD73TTF0800
	900	1200	250	1870	170	T300512	PC73UD12C900TF	12URD73TTF0900
	1000	1000	370	2130	174	V300513	PC73UD10C1000TF	10URD73TTF1000
	1100	950	445	2470	208	W300514	PC73UD95V11CTF	9,5URD73TTF1100
	1250	900	585	3050	186/200	T300696	PC73UD90V13CTF	9URD73TTF1250
	1400	850	755	3700	210/228	S300718	PC73UD85C14CTF	8,5URD73TTF1400
1600	660	1430	5630	203	N304417			
1800	600	2040	7600	206	C301302	PC73UD60V18CTF	6URD73TTF1800	

** Watts loss data is published for both blade and tapped style mounting configurations. When two watts loss values are shown this represents tapped/blade values respectively.

1250/1300 Volt PSC Square Body

1300 Volt North American Style Ratings and Application Data, LI, LLI Mounting

Body Size	Amp Rating	Rated Voltage	Melting I ² t (A ² s x 10 ³)	Total I ² t @ 660VAC (A ² s x 10 ³)	** Watts Loss @ Rated Current (W)	Catalog No	New Description	Old Description
70	63	1300	0.21	1.8	26	W300652	A130UD70LI063	A130URD70LI0063
	80	1300	0.47	4	27	X300653	A130UD70LI080	A130URD70LI0080
	100	1300	0.83	7.2	30	Y300654	A130UD70LI100	A130URD70LI0100
	125	1300	1.3	11	38	Z300655	A130UD70LI125	A130URD70LI0125
	160	1300	2.5	22	45	A300656	A130UD70LI160	A130URD70LI0160
	200	1300	4.7	40	54/56	B300657	A130UD70LI200	A130URD70LI0200
	250	1300	9.6	82	58/61	C300658	A130UD70LI250	A130URD70LI0250
	315	1300	20	172	66/72	D300659	A130UD70LI315	A130URD70LI0315
	350	1200	28	205	68/75	E300660	A120UD70LI350	A120URD70LI0350
71	160	1300	2.6	22	46	E300752	A130UD71LLI160	A130URD71LLI0160
	200	1300	4.7	40	54	F300661	A130UD71LLI200	A130URD71LLI0200
	250	1300	8.9	76	61	G300662	A130UD71LLI250	A130URD71LLI0250
	280	1300	12	102	68/70	R300717	A130UD71LLI280	A130URD71LLI0280
	315	1300	16	138	73/76	H300663	A130UD71LLI315	A130URD71LLI0315
	350	1300	22	190	76/80	J300664	A130UD71LLI350	A130URD71LLI0350
	400	1300	38	330	76/80	K300665	A130UD71LLI400	A130URD71LLI0400
	450	1300	47	405	87/95	L300666	A130UD71LLI450	A130URD71LLI0450
	500	1200	68	500	90/100	M300667	A120UD71LLI500	A120URD71LLI0500
	550	1200	84	620	98/112	N300668	A120UD71LLI550	A120URD71LLI0550
630	1100	125	930	105	P300669	A110UD71LLI630	A110URD71LLI0630	
72	280	1300	10	90	72	Q300670	A130UD72LI280	A130URD72LI0280
	315	1300	15	130	76	R300671	A130UD72LI315	A130URD72LI0315
	350	1300	21	180	77	S300672	A130UD72LI350	A130URD72LI0350
	400	1300	32	285	80	T300673	A130UD72LI400	A130URD72LI0400
	450	1300	44	380	87/89	V300674	A130UD72LI450	A130URD72LI0450
	500	1300	57	500	94/98	W300675	A130UD72LI500	A130URD72LI0500
	550	1300	68	590	110/120	X300676	A130UD72LI550	A130URD72LI0550
	630	1200	105	920	113	Y300677	A120UD72LI630	A120URD72LI0630
	700	1100	145	1040	122	Z300678	A110UD72LI700	A110URD72LI0700
800	1100	215	1590	125	A300679	A110UD72LI800	A110URD72LI0800	
73	315	1300	12	102	84	B300680	A130UD73LI315	A130URD73LI0315
	350	1300	17	150	86	C300681	A130UD73LI350	A130URD73LI0350
	400	1300	25	220	93	D300682	A130UD73LI400	A130URD73LI0400
	450	1300	35	310	99/100	E300683	A130UD73LI450	A130URD73LI0450
	500	1300	44	390	110/112	F300684	A130UD73LI500	A130URD73LI0500
	550	1300	57	500	116/120	G300685	A130UD73LI550	A130URD73LI0550
	630	1300	84	730	125/132	H300686	A130UD73LI630	A130URD73LI0630
	700	1300	110	960	135/146	J300687	A130UD73LI700	A130URD73LI0700
	800	1200	190	1630	136	V301824	A130UD73LI800	A130URD73LI0800
	900	1100	250	2160	150	L300689	A110UD73LI900	A110URD73LI0900
	1000	1000	370	2430	152/174	M300690	A100UD73LI1000	A100URD73LI1000
	1100	1000	445	2580	168/208	N300691	A100UD73LI1100	A100URD73LI1100
	1250	1000	585	3480	186/200	J301193	A100UD73LI1250	A100URD73LI1250
	1400	900	755	3880	210/228	K301194	A090UD73LI1400	A090URD73LI1400
	1600	700	1430	5630	203	P300876	A070UD73LI1600	A070URD73LI1600
1800	650	2040	7600	206	A301599	A065UD73LI1800	A065URD73LI1800	

** Watts loss data is published for both blade and tapped style mounting configurations. When two watts loss values are shown this represents tapped/blade values respectively.

1250/1300 Volt PSC Square Body

1300 Volt North American Style Ratings and Application Data, TTI Mounting

Body Size	Amp Rating	Rated Voltage	Melting I ² t (A ² s x 10 ³)	Total I ² t @ 660VAC (A ² s x 10 ³)	** Watts Loss @ Rated Current (W)	Catalog No	New Description	Old Description
70	63	1300	0.21	1.8	26	Q301015	A130UD70TTI63	A130URD70TTI0063
	80	1300	0.47	4	27	R301016	A130UD70TTI80	A130URD70TTI0080
	100	1300	0.83	7.2	30	S301017	A130UD70TTI100	A130URD70TTI0100
	125	1300	1.3	11	38	T301018	A130UD70TTI125	A130URD70TTI0125
	160	1300	2.5	22	45	V301019	A130UD70TTI160	A130URD70TTI0160
	200	1300	4.7	40	54/56	W301020	A130UD70TTI200	A130URD70TTI0200
	250	1300	9.6	82	58/61	X301021	A130UD70TTI250	A130URD70TTI0250
	315	1300	20	172	66/72	Z301023	A130UD70TTI315	A130URD70TTI0315
	350	1200	28	205	68/75	A301024	A120UD70TTI350	A120URD70TTI0350
71	160	1300	2.6	22	46	B301025	A130UD71TTI160	A130URD71TTI0160
	200	1300	4.7	40	54	C301026	A130UD71TTI200	A130URD71TTI0200
	250	1300	8.9	76	61	D301027	A130UD71TTI250	A130URD71TTI0250
	280	1300	12	102	68/70	E301028	A130UD71TTI280	A130URD71TTI0280
	315	1300	16	138	73/76	F301029	A130UD71TTI315	A130URD71TTI0315
	350	1300	22	190	76/80	G301030	A130UD71TTI350	A130URD71TTI0350
	400	1300	38	330	76/80	H301031	A130UD71TTI400	A130URD71TTI0400
	450	1300	47	405	87/95	J301032	A130UD71TTI450	A130URD71TTI0450
	500	1200	68	500	90/100	K301033	A130UD71TTI500	A130URD71TTI0500
72	550	1200	84	620	98/112	L301034	A120UD71TTI550	A120URD71TTI0550
	630	1200	125	930	120	M301035	A120UD71TTI630	A120URD71TTI0630
	280	1300	10	90	72	N301036	A130UD72TTI280	A130URD72TTI0280
	315	1300	15	130	76	P301037	A130UD72TTI315	A130URD72TTI0315
	350	1300	21	180	77	Q301038	A130UD72TTI350	A130URD72TTI0350
	400	1300	32	285	80	R301039	A130UD72TTI400	A130URD72TTI0400
	450	1300	44	380	87/89	S301040	A130UD72TTI450	A130URD72TTI0450
	500	1300	57	500	94/98	T301041	A130UD72TTI500	A130URD72TTI0500
	550	1300	68	590	110/120	V301042	A130UD72TTI550	A130URD72TTI0550
73	630	1300	105	920	125	W301043	A130UD72TTI630	A130URD72TTI0630
	700	1200	145	1040	140	X301044	A120UD72TTI700	A120URD72TTI0700
	800	1200	215	1590	146	Y301045	A120UD72TTI800	A120URD72TTI0800
	315	1300	12	102	84	Z301046	A130UD73TTI315	A130URD73TTI0315
	350	1300	17	150	86	A301047	A130UD73TTI350	A130URD73TTI0350
	400	1300	25	220	93	B301048	A130UD73TTI400	A130URD73TTI0400
	450	1300	35	310	99/100	C301049	A130UD73TTI450	A130URD73TTI0450
	500	1300	44	390	110/112	D301050	A130UD73TTI500	A130URD73TTI0500
	550	1300	57	500	116/120	E301051	A130UD73TTI550	A130URD73TTI0550
73	630	1300	84	730	125/132	F301052	A130UD73TTI630	A130URD73TTI0630
	700	1300	110	960	135/146	G301053	A130UD73TTI700	A130URD73TTI0700
	800	1300	190	1630	148	H301054	A130UD73TTI800	A130URD73TTI0800
	900	1300	250	2160	170	T1013903	A130UD73TTI900	A130URD73TTI0900
	1000	1000	370	2430	152/174	K301056	A110UD73TTI1000	A110URD73TTI1000
	1100	1000	445	2580	168/208	V302192	A110UD73TTI1100	A110URD73TTI1100
	1250	1000	585	3480	186/200	M301058	A100UD73TTI1250	A100URD73TTI1250
	1400	900	755	3880	210/228	N301059	A090UD73TTI1400	A090URD73TTI1400
	1600	700	1430	5630	203	Q300877	A070UD73TTI1600	A070URD73TTI1600
1800	650	2040	7600	206	R300878	A065UD73TTI1800	A065URD73TTI1800	

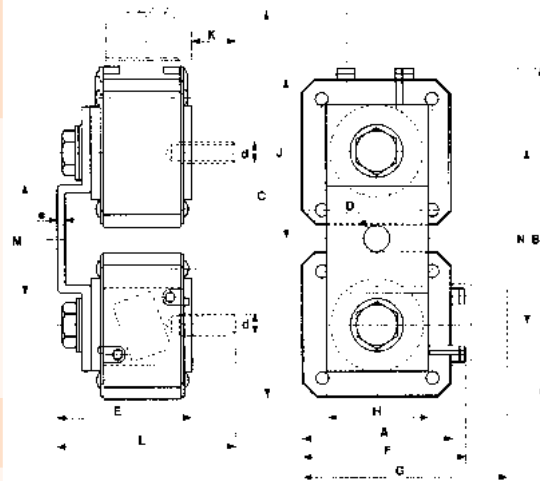
** Watts loss data is published for both blade and tapped style mounting configurations. When two watts loss values are shown this represents tapped/blade values respectively.

For the most current product performance data visit us-ferrazshawmut.mersen.com and use catalog search.

1250/1300 Volt PSC Square Body

1250/1300Volt, 2x72, 2x73 Semiconductor Protection Fuses

Size	Catalog No	New Description	Old Description	Weight (g)	
73	H300640	PC73UD13C315PP4	12,5URD73PPAF0315	1250	
	J300641	PC73UD13C350PP4	12,5URD73PPAF0350		
	K300642	PC73UD13C405PP4	12,5URD73PPAF0400		
	L300643	PC73UD13C450PP4	12,5URD73PPAF0450		
	M300644	PC73UD13C500PP4	12,5URD73PPAF0500		
	N300645	PC73UD13C550PP4	12,5URD73PPAF0550		
	P300646	PC73UD13C630PP4	12,5URD73PPAF0630		
	Q300647	PC73UD13C700PP4	12,5URD73PPAF0700		
	R300648	PC73UD13C800PP4	12,5URD73PPAF0800		
	S300649	PC73UD12C900PP4	12URD73PPAF0900		
	T300650	PC73UD10C10CPP4	10URD73PPAF1000		
	V300651	PC73UD95V11CPP4	9,5URD73PPAF1100		
	T300719	PC73UD90V13CPP4	9URD73PPAF1250		
	V300720	PC73UD85V14CPP4	8,5URD73PPAF1400		
2 X 72	W300721	PC272UD13C630TF	12,5URD272TTF0630	1750	
	X300722	PC272UD13C700TF	12,5URD272TTF0700		
	Y300723	PC272UD13C800TF	12,5URD272TTF0800		
	Z300724	PC272UD13C900TF	12,5URD272TTF0900		
	A300725	PC272UD13C10CTF	12,5URD272TTF1000		
	B300726	PC272UD13C11CTF	12,5URD272TTF1100		
	M302231	PC272UD11C13CTF	11URD272TTF1250		
	D300728	PC272UD11C14CTF	11URD272TTF1400		
	L302230	PC272UD10C16CTF	10URD272TTF1600		
	E301994	PC272UD90V18CTF	9URD272TTF1800		
2 X 73	F301995	PC272UD75V20CTF	7,5URD272TTF2000	1900	
	G301996	PC272UD65V22CTF	6,5URD272TTF2200		
	H301997	PC272UD65V25CTF	6,5URD272TTF2500		
	F300730	PC273UD13C800TF	12,5URD273TTF0800		2600
	G300731	PC273UD13C900TF	12,5URD273TTF0900		
	H300732	PC273UD13C10CTF	12,5URD273TTF1000		
	J300733	PC273UD13C11CTF	12,5URD273TTF1100		
	K300734	PC273UD13C13CTF	12,5URD273TTF1250		
	K302229	PC273UD11C14CTF	11URD273TTF1400		
	J302228	PC273UD11C16CTF	11URD273TTF1600		
S302236	PC273UD11C18CTF	11URD273TTF1800			
P300738	PC273UD10C20CTF	10URD273TTF2000	2800		
Q300739	PC273UD95V22CTF	9,5URD273TTF2200			
M301909	PC76UD95V22CP11	9,5URD273PLAF2200		2700	
R300740	PC76UD90V25CP11	9URD273PLAF2500			
S300741	PC76UD85V28CP11	8,5URD273PLAF2800			
K301999	PC76UD60V30CP11	6URD273PLAF3000			
M302001	PC76UD60V32CP11	6URD273PLAF3200			
N302002	PC76UD55V36CP11	5,5URD273PLAF3600			



Microswitches and threaded studs supplied separately (see pages J8)

SIZE	A	B	C	D	E	F	G	H	J	K	d	e	L	M	N
2 X 72 TTF	60	138,5	172	11	91	65,5	100	35	66	39	M 10	4	131	48	72
2 X 73 TTF	74,5	167	200	13	91	79,6	114	50	80	39	M 12	4	131	54	86

Dimensions in / mm

URB/URD/URL French Cylindrical

Protistor® fuses

600V AC URD from 0.10 up to 0.80A**

500V AC URB/URD/URL from 1 up to 30A

Size: 10 x 38mm

Features/Benefits:

- Extremely high Interrupting rating
- Protection of power semiconductors according to IEC 269.1 and 4
- 500-600V AC
- aR class according to VDE 636-23 and IEC 269.4
- Without blown fuse indication according to NF C 63210 and 63211 - 0.10 up to 0.80A**
- With built in trip-indicator (1 up to 30A) Mersen Specialty*

Applications Data

Voltage Rating U_N (VAC)	Class	Current Rating I_N (A)	Melting I^2t @ 1 ms I^2t_p (A ² s)	Total Clearing I^2t @ U_N I^2t_t (A ² s)	Watts Loss		Tested Interrupting Rating
					0.8 I_N	I_N	
600 V without blown fuse indication	URD	100 mA		1.2 10 ⁻³	0.23	0.4	200 kA @ 600 V
		125 mA		2.3 10 ⁻³	0.25	0.44	
		160 mA		5.2 10 ⁻³	0.28	0.48	
		200 mA		8 10 ⁻³	0.34	0.58	
		250 mA		18 10 ⁻³	0.35	0.60	
		315 mA		33 10 ⁻³	0.42	0.73	
		400 mA		56 10 ⁻³	0.46	0.80	
		500 mA		0.100	0.46	0.80	
500 V with trip- indicator	URD	630 mA		0.18	0.52	0.90	50 kA @ 500 V
		800 mA		0.44	0.58	1	
		1 A	0.49	1.3	0.4	0.7	
		1.25 A	0.13	1.7	0.52	0.91	
		1.6 A	0.31	2.2	0.58	1	
	URB	2 A	0.65	3.1	0.63	1.1	
		2.5 A	1.65	5.9	0.63	1.1	
		3.15 A	2.80	9	0.86	1.5	
		4 A	5.30	16	1.1	1.8	
		5 A	12.7	36	1.1	1.8	
	URL	6 A	1.3	47	0.73	1.35	
		8 A	2.3	80	0.83	1.55	
		10 A	3.6	110	1	1.9	
		12 A	5.25	150	1.3	2.3	
		16 A	9.30	200	1.7	3.1	
URL	20 A	16	290	1.7	3.2		
	25 A	37	580	2.9	4.25		
	30 A	58	900	3.5	5.1		

* minimum operating voltage for trip-indicator: 20 V

** higher ratings 1 to 30 A see A070 gRB 30 T13



URB/URD/URL French Cylindrical

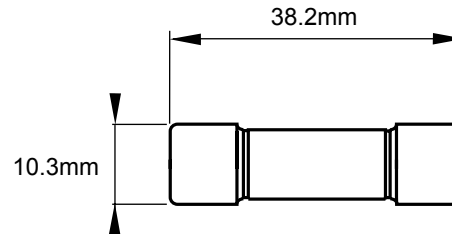
Catalog Numbers

Current Rating	Catalog No.	Ref. #
100 mA	A 060 URD 0.100 T13	H077632
125 mA	A 060 URD 0.125 T13	J077633
160 mA	A 060 URD 0.160 T13	K077634
200 mA	A 060 URD 0.200 T13	L077635
250 mA	A 060 URD 0.250 T13	M077636
315 mA	A 060 URD 0.315 T13	N077637
400 mA	A 060 URD 0.400 T13	P077638
500 mA	A 060 URD 0.500 T13*	Q077639
630 mA	A 060 URD 0.630 T13*	R077640
800 mA	A 060 URD 0.800 T13*	S077641

* UL Recognized



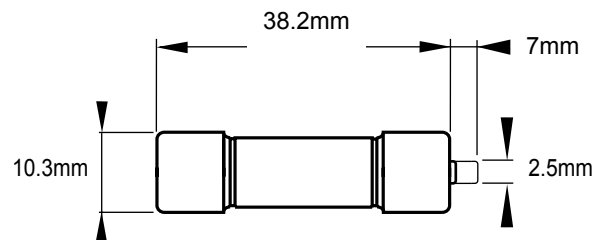
10.3x38 - Without blown fuse indicator



Catalog Numbers

Current Rating	Catalog No.	Ref. #
1A	A 050 URD 001 T13 I	P076925
1.25A	A 050 URD 001.2 T13 I	H076597
1.6A	A 050 URD 001.6 T13 I	G076596
2A	A 050 URD 002 T13 I	Q076926
2.5A	A 050 URD 002.5 T13 I	F076595
3.15A	A 050 URD 003 T13 I	R076927
4A	A 050 URD 004 T13 I	S076928
5A	A 050 URD 005 T13 I	T076929
6A	A 050 URB 006 T13 I	V076930
8A	A 050 URB 008 T13 I	W076931
10A	A 050 URB 010 T13 I	X076932
12A	A 050 URB 012 T13 I	Y076933
16A	A 050 URB 016 T13 I	Z076034
20A	A 050 URB 020 T13 I	A076935
25A	A 050 URL 025 T13 I	B076936
30A	A 050 URL 030 T13 I	C076937

10.3x38 - With blown fuse trip-indicator



URC/URD French Cylindrical

Protistor® fuses

690V AC

URC/URD from 6 up to 100A

Sizes: 14 x 51 & 22 X 58

Features/Benefits:

- Extremely high Interrupting rating
- Protection of power semiconductors according to IEC 269.1 and 4
- 690V AC
- aR class according to VDE 636-23 and IEC 269.4
- Two models according to NF C 63210 and 63211 with and without blown fuse built-in trip-indicator for sizes 14 x 51 and 22 x 58
- UL recognized (except 6A)*



Applications Data

Voltage Rating U_N (VAC)	Size mm	Class	Current Rating I_N (A)	Melting I^2t @ 1 ms I^2t_p (A ² s)	Total Clearing I^2t @ UN I^2t_i (A ² s)		Watts Loss		Tested Interrupting Rating
					$7 I_N < I_p < 30 I_N$	$I_p \geq 30 I_N$	0.8 I_N	I_N	
690 V	14 x 51	URC	6	1.3	17.5*		1.1	2	100 kA @ 690 V
			8	2.4	27.5		1.6	2.8	
			10	4.3	40		2	3.5	
			12	5.4	60		2.45	4.4	
			16	13.2	100		2.7	4.8	
			20	27	160		2.9	5.2	
			25	53	275		3.2	5.8	
			32	98	500		3.9	7	
			40 (1)	130	700		6	10.7	
	50 (1)	280	1500		6.3	11.6			
	22 x 58	URD			7 $I_N < I_p < 30 I_N$				
					$I_p \geq 30 I_N$				
			40 (2)	130	850	700	6	10.7	
			50 (2)	280	1850	1500	6.3	11.6	
			25	22	125		5.2	10	
		URD	32	49	275		5.7	11	
			40	88	480		6.8	13	
			50	155	800		7.8	14.9	
			63	350	1850		8.4	16	
80			730	3800		9.4	17.8		
	100	1560	8000		10	19			

* Without trip-indicator I^2t : 15 A²s.

(1) No trip-indicator available for this model.

(2) Models available only with trip-indicator.

Minimum operating voltage for built-in trip-indicator: 20 V.

URC/URD French Cylindrical

Catalog Numbers

All the fuses presented on this page are UL Recognized (except 6 A)*

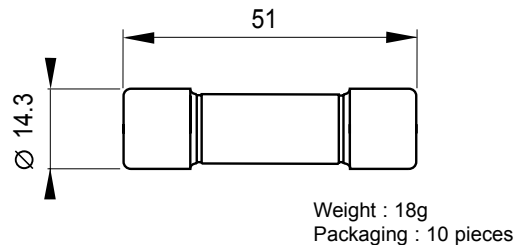
Current Rating	Description	Catalog No.
6 A	6.900 CP URC 14.51/6*	K081475
8 A	6.900 CP URC 14.51/8	S093902
10 A	6.900 CP URC 14.51/10	T093903
12 A	6.900 CP URC 14.51/12	V093904
16 A	6.900 CP URC 14.51/16	W093905
20 A	6.900 CP URC 14.51/20	X093906
25 A	6.900 CP URC 14.51/25	Y093907
32 A	6.900 CP URC 14.51/32	Z093908
40 A	6.900 CP URC 14.51/40	A093909
50 A	6.900 CP URC 14.51/50	B093910

Current Rating	Description	Catalog No.
6 A	6.921 CP URC 14.51/6*	G081518
8 A	6.921 CP URC 14.51/8	C093911
10 A	6.921 CP URC 14.51/10	D093912
12 A	6.921 CP URC 14.51/12	E093913
16 A	6.921 CP URC 14.51/16	F093914
20 A	6.921 CP URC 14.51/20	G093915
25 A	6.921 CP URC 14.51/25	H093916
32 A	6.921 CP URC 14.51/32	J093917
40 A	6.921 CP URD 14.51/40	T100136
50 A	6.921 CP URD 14.51/50	V100137

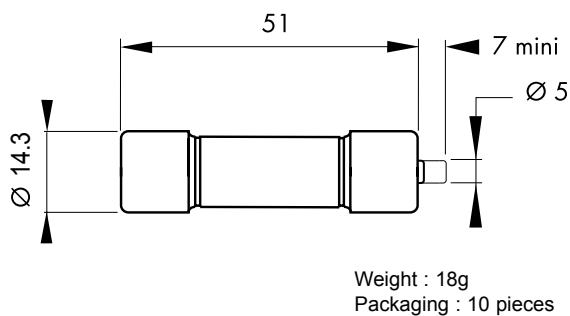
Current Rating	Description	Catalog No.
25 A	6.900 CP URD 22x58/25	B093956
32 A	6.900 CP URD 22x58/32	Z094828
40 A	6.900 CP URD 22x58/40	S094822
50 A	6.900 CP URD 22x58/50	W094779
63 A	6.900 CP URD 22x58/63	T094823
80 A	6.900 CP URD 22x58/80	A094829
100 A	6.900 CP URD 22x58/100	Y094827

Current Rating	Description	Catalog No.
25 A	6.921 CP URD 22x58/ 25	H093801
32 A	6.921 CP URD 22x58/ 32	C093957
40 A	6.921 CP URD 22x58/ 40	J093802
50 A	6.921 CP URD 22x58/ 50	D093958
63 A	6.921 CP URD 22x58/ 63	K093803
80 A	6.921 CP URD 22x58/ 80	E093959
100 A	6.921 CP URD 22x58/100	F093960

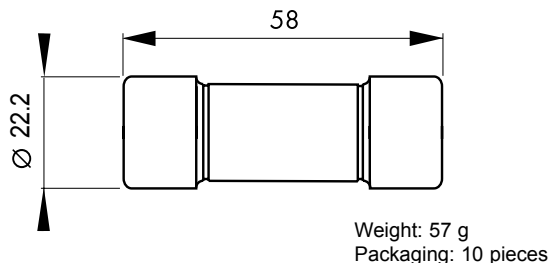
14x51 - Without blown fuse indication (mm)



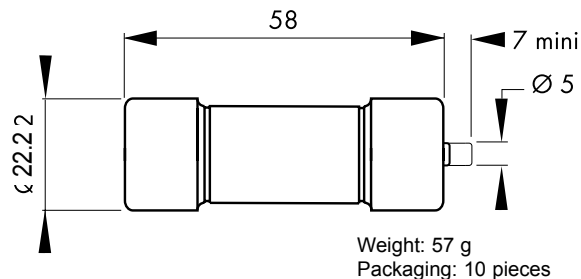
14x51 - With blown fuse trip-indicator (mm)



22x58 - Without blown fuse indication (mm)



22x58 - With blown fuse trip-indicator (mm)



URGD French Cylindrical

Protistor® Fuses
 600V - 690V AC
 URGD from 63 up to 250A
 Sizes: 27 X 60mm

Features/Benefits:

- Extremely high Interrupting rating
- Protection of power semiconductors according to IEC 269.1 and 4
- 600V-690V AC
- aR class according to VDE 636-23 and IEC 269.4
- Model according to NF C 63210 and 63211 with built-in blown fuse indication



Applications Data

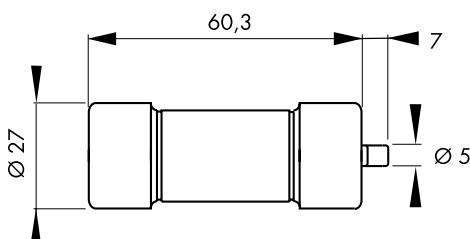
Voltage Rating U_N (VAC)	Class	Current Rating I_N (A)	Melting I^2t @ 1 ms I^2t_p (A ² s)	Total Clearing I^2t @ UN I^2t_t (A ² s)	Watts Loss		Tested Interrupting Rating
					0.8 I_N	I_N	
690 V	URGD	63	405	1840	12	22	200 kA @ 600 V
		80	860	3750	13.5	24.6	
		100	1620	6800	15	27	
		125	3425	13600	16	29.5	
		160	6480	24600	17	32.5	
		200	13700	61500	18.5	35.7	
600 V		250	29600	107000	21	40	

Minimum operating voltage for trip-indicator: 20 V

Catalog Numbers

Type	Voltage	Current Rating	Description	Catalog No.
URGD	690V	63 A	6,921 CP URGD 27x60/ 63	A076820
		80 A	6,921 CP URGD 27x60/ 80	B076821
		100 A	6,921 CP URGD 27x60/100	C076822
		125 A	6,921 CP URGD 27x60/125	D076823
		160 A	6,921 CP URGD 27x60/160	E076824
		200 A	6,921 CP URGD 27x60/200	F076825
	600V	250 A	6,921 CP URGD 27x60/250	W076264

27x60 - With blown fuse trip-indicator (mm)



URB/URQ French Cylindrical

690V - 1000V AC

URB/URQ/URS from 32 up to 250A

Size: 27 X 60 mm

Features/Benefits:

- Extremely high interrupting rating
- Protection of power semiconductors according to IEC standard 269.1 and 4
- 690V-1000V AC
- aR class according to VDE 636-23 and IEC 269.4
- Model according to NF C 63210 and 63211 with built-in blown trip-indicator
- 690V URQ and 1000V URB are UL recognized



Applications Data

Voltage Rating U_N (VAC)	Class	Current Rating I_N (A)	Melting I^2t @ 1 ms I^2t_p (A ² s)	Total Clearing I^2t @ UN I^2t_t (A ² s)	Watts Loss		Tested Interrupting Rating
					0.81 I_N	I_N	
690 V	URQ	50	110	610	8.4	16	200 kA @ 690 V
		63	155	860	11.1	21	
		80	350	1880	12.6	24	
		100	625	3210	14.2	27	
		125	1400	6970	15.7	30	
		160	3150	15000	17.7	34	
		200	6580	30000	19.4	38	
	250	15570	63000	22.6	45		
	URS	125	2790	13000	14.5	25	
		160	5500	24000	17.5	30	
1000 V	URB	32	33	250	7.4	14.5	100 kA @ 1000 V
		40	60	450	8.7	17	
		50	110	840	9.7	19	
		63	200	1470	11.3	22	
		80	435	3300	12.3	24	
		100	975	6000	14	27	
		125	1910	12500	16	31	
		160	3890	26700	18	35	
		170	4710	36000	19	37	

* Minimum operating voltage for trip-indicator: 20 V

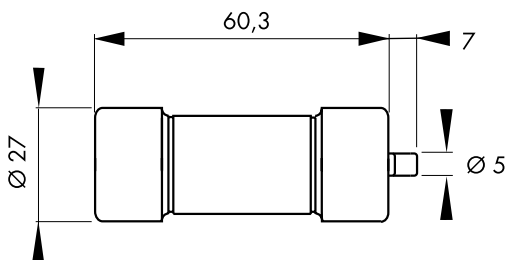


URB/URQ French Cylindrical

Catalog Numbers

Type	Voltage	Current Rating	Description	Catalog No.
URQ	690 V	50 A	6,921 CP URQ 27x60/ 50	N075958
		63 A	6,921 CP URQ 27x60/ 63	V076309
		80 A	6,921 CP URQ 27x60/ 80	W076310
		100 A	6,921 CP URQ 27x60/100	R078330
		125 A	6,921 CP URQ 27x60/125	S078331
		160 A	6,921 CP URQ 27x60/160	X076311
		200 A	6,921 CP URQ 27x60/200	T078332
		250 A	6,921 CP URQ 27x60/250	T076308
URB	1000 V	32 A	1021 CP URB 27x60/ 32	S081298
		40 A	1021 CP URB 27x60/ 40	R081297
		50 A	1021 CP URB 27x60/ 50	Q081296
		63 A	1021 CP URB 27x60/ 63	P081295
		80 A	1021 CP URB 27x60/ 80	N081294
		100 A	1021 CP URB 27x60/100	M081293
		125 A	1021 CP URB 27x60/125	L081292
		160 A	1021 CP URB 27x60/160	K081291
		170 A	1021 CP URB 27x60/170	Z080338

27x60 - With blown fuse trip-indicator (mm)



821cp gRB French Cylindrical

800V AC
gRB from 8 to 110A
SizeS: 27 X 60 mm

Features/Benefits:

- Extremely high Interrupting rating
- Protection of power semiconductors complying with IEC standards 269-1 and 4
- 800V voltage rating according to IEC 33
- gR Class as per IEC 269-4
 - Full range protection
 - Improved safety and protection
 - Allows selective coordination
- With built in trip indicator



Applications Data

Voltage Rating U_N (V)	Class	Current Rating I_N (A)	Melting I^2t @ 1 ms I^2t_p (A ² s)	Total Clearing I^2t @ UN I^2t_t (A ² s)	Watts Loss		Tested Interrupting Rating	Description	Catalog No	
					0.8 I_N	I_N				
800	gRB	8	4.25	70	1.2	2.0	175 kA @ 700 V	821 CP GRB27.60 8	R221436	
		10	8.0	100	1.3	2.3		821 CP GRB27.60 10	S221437	
		12	17.0	180	1.4	2.5		821 CP GRB27.60 12	T221438	
		16	26.5	250	1.9	3.5		821 CP GRB27.60 16	V221439	
		20	38.5	350	2.4	4.0		821 CP GRB27.60 20	W221440	
		25	73.0	600	2.8	5.0		821 CP GRB27.60 25	X221441	
		32	130	1000	3.5	6.0		821 CP GRB27.60 32	Y221442	
		40	195	1400	4.7	8.0	821 CP GRB27.60 40	Z221443		
		50	430	2700	4.8	8.5	90 kA @ 800 V	821 CP GRB27.60 50	A221444	
		63	965	5500	5.6	10		821 CP GRB27.60 63	B221445	
		80	1890	11000	6.4	11.5		821 CP GRB27.60 80	C221446	
		100	3480	19000	7.4	13		821 CP GRB27.60 100	D221447	
				110	4670	27000	7.7	14	821 CP GRB27.60 110	E221448

* Minimum operating voltage for trip-indicator: 20 V

Dimensions

