



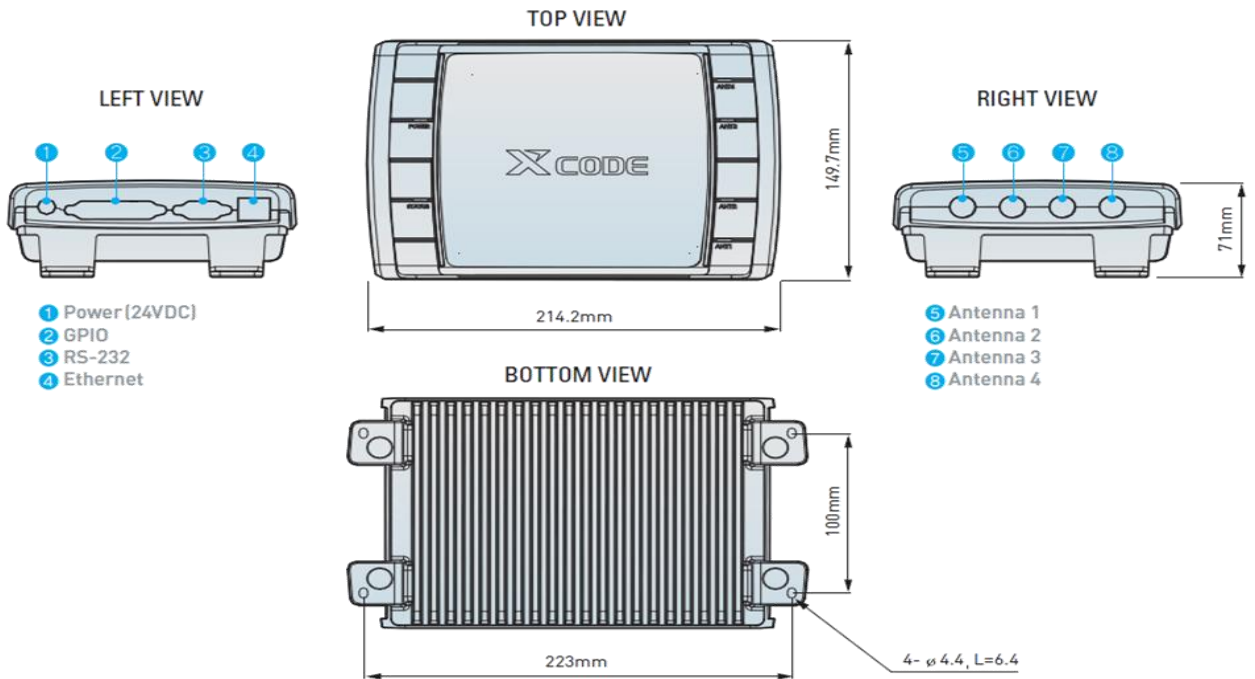
# UHF Band RFID Stationary Reader IU9004

## UHF Band RFID Stationary Reader

- Easy firmware upgrade with Console & Program
- Internal antenna support for small area reading
- Support stable DRM(Dense Reader Mode)
- Excellent noise rejection performance under
- harsh RF environment



## DIMENSIONS & FUNCTION



## SPECIFICATION

### Reader (Standard)

|                        |   |                       |   |
|------------------------|---|-----------------------|---|
| Operation Frequency    | 860~960MHz                                  | Operating Temperature | -10°C to +50°C  |
| Method                 | FHSS  | Storage Temperature   | -40°C to +70°C  |
| RF Power               | Max. +30dBm                                 | Size(W x D x H)       | 214.2×149.7×71(mm)  |
| Synchronization        | Self-Configuration                          | Enclosure Material    | Aluminum  |
| Operating Voltage      | 24V DC Input                                | Power Consumption     | 12W   |
| Operating System       | None  | Visual Indicator      | Power, Status, Antenna(4)   |
| Power Adapter          | 110-250VAC, 50/60Hz Auto Switching 2.5A     | Antenna Ports         | 4 Transmit & Receive (external)<br>1 Transmit & Receive (internal) : Option |
| SDK                    | JAVA, C#, Visual Basic 6.0 Library          | Communication         | 10/100 base-T Ethernet(RJ45)/<br>GPIO(4input, 8output)/RS-232C              |
| Air Interface Protocol | ISO 18000-6C, EPC Class1 Gen2, ISO 18000-6B |                       |   |

### Antenna (Option : Internal Antenna)

|                         |               |              |         |
|-------------------------|---------------|--------------|---------|
| Band Width @ -10dB R.L. | 12 min MHz    | Impedance    | 50 Ohms |
| VSWR @ Center Freq.     | 2:1 max Ratio | Polarization | RHCP    |
| Typical Gain            | 0.5 min dBil  | Bea Width    | 90 Deg. |

**LSIS Co., Ltd.**

**RFID/USN Division**

1026-6 LS Tower, Hogye-dong, Dongan-gu, Anyang-si, gyeonggi-do, KOREA 431-848

Tel: +82-2-2034-4089 Fax: +82-2-2034-4056

[www.lsis.biz](http://www.lsis.biz)