

## DQ61F-40P Cryogenic Ball Valve

### ■ Technical Parameters

Nominal Diameter: 10~100mm

Nominal Pressure: 4.0MPa

Applicable Medium: LNG、LO<sub>2</sub>、LN<sub>2</sub>、LAr

Applicable Temperature: -196°C~+80°C

Seal: Soft Seal

End Connection: Socket Welding  
(Flange, Butt Welding, available)

### ■ Materials

Body: Stainless Steel

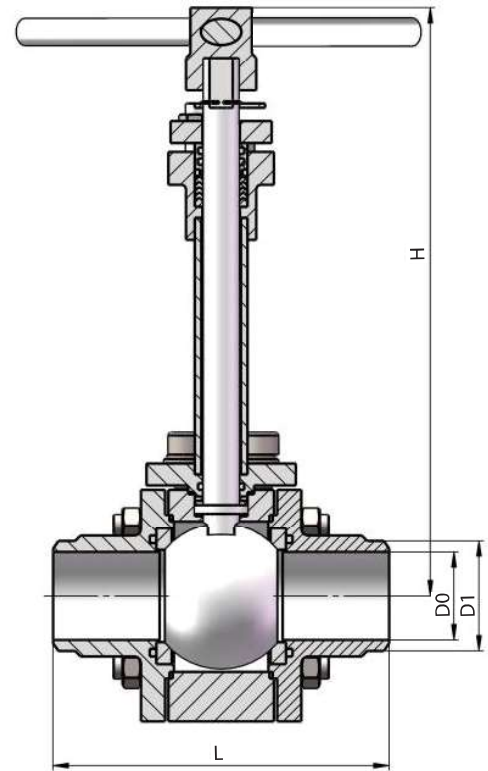
Bonnet: Stainless Steel

Stem: 06Cr19Ni10

Seal Ring: PCTFE

Seat: Stainless Steel

Ball: Stainless Steel



SIZE(mm)					
CODE	DN	D0	D1	L	H
10DQ61F-50	10	10	14	100	198±2
15DQ61F-50	15	14	20	100	198±2
20DQ61F-50	20	20	27	105	205±2
25DQ61F-50	25	25	33	107	218±2
40DQ61F-50	40	40	50	153	269±2
50DQ61F-50	50	50	62	194	336±2
65DQ61F-50	65	65	76	241	352±2
80DQ61F-50	80	80	90	279	363±2
100DQ61F-50	100	100	110	305	390±2