



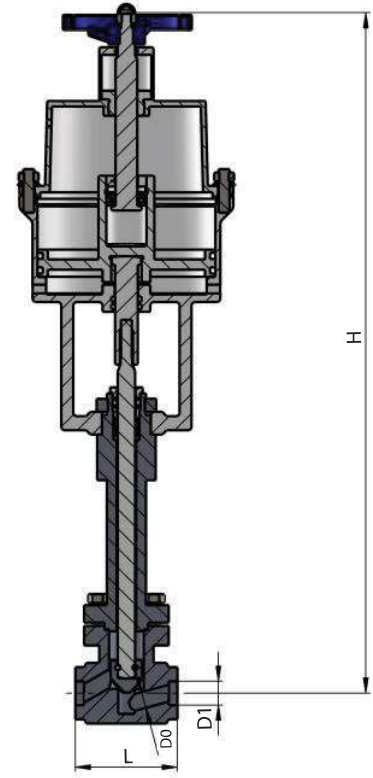
DQJ661W-320P Cryogenic Pneumatic High Pressure Emergency Shut Off Valve

■ Technical Parameters

Nominal Diameter: 10~50mm
 Nominal Pressure: 32.0MPa
 Air Source Pressure: 0.5~0.7MPa
 Applicable Medium: LNG、LO2、LN2、LAr
 Applicable Temperature: -196°C~+75°C
 Emergency Shut Off Temperature: 70°C±5°C
 Seal: Metallic Seal
 End Connection: Thread

■ Materials

Body: Stainless Steel
 Bonnet: Stainless Steel
 Disc: 06Cr19Ni10+Hard Alloy
 Stem: 06Cr19Ni10



SIZE					
CODE	DN	D0	D1	L	H
10DQJ661F-320	10	10	18	90	621±2
15DQJ661F-320	15	12	22	90	621±2
20DQJ661F-320	20	15	26	94	626±2
25DQJ661F-320	25	15	32	94	626±2
32DQJ661F-320	32	12	18	115	632±2
40DQJ661F-320	40	12	22	115	632±2
50DQJ661F-320	50	24	60	172	648±2