

DQJ661F-40P Cryogenic Pneumatic Emergency Shut Off Valve

■ Technical Parameters

Nominal Diameter: 10~100mm

Nominal Pressure: 4.0MPa

Air Source Pressure: 0.3~0.6MPa

Applicable Medium: LNG、LO2、LN2、LAr

Applicable Temperature: -196°C~+80°C

Emergency Shut Off Temperature: 70°C±5°C

Seal: Soft Seal

End Connection: Socket Welding

(Flange, Butt Welding, Thread available)

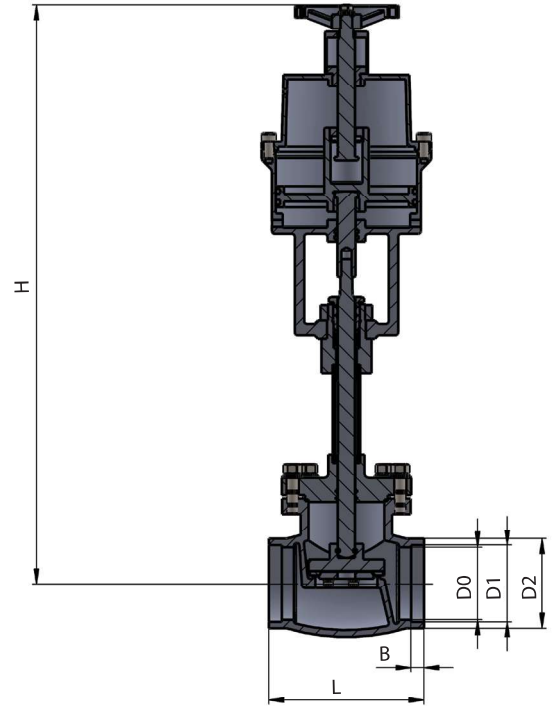
■ Materials

Body: Stainless Steel

Bonnet: Stainless Steel

Disc Seal: 06Cr19Ni10+PCTFE

Stem Seal: PCTFE



SIZE(mm)							
CODE	DN	D0	D1	D2	L	H	B
10DQJ661F-40	10	12	15	22	61	386±2	6
15DQJ661F-40	15	15	19	26	61	386±2	6
20DQJ661F-40	20	23	26	34	81	450±2	6
25DQJ661F-40	25	26	33	42	81	450±2	6
32DQJ661F-40	32	35	39	46	102	508±2	9
40DQJ661F-40	40	42	46	55	102	508±2	9
50DQJ661F-40	50	54	58	66	127	538±2	10
65DQJ661F-40	65	68	77	91	150	548±2	10
80DQJ661F-40	80	84	89	104	180	637±2	15
100DQJ661F-40	100	104	110	127	200	776±2	15