

DY22F-25P Cryogenic Pressure Build Up Valve

■ Technical Parameters

Nominal Diameter: DN20-50mm

Nominal Pressure: PN2.5Mpa

Suitable Temperature: -196°C~+80°C

Applicable Medium: LNG、LO₂、LN₂、LAr

End Connection: Thread

Regulation Range:

Post-valve outlet pressure 1 : 0.2~1.0MPa

Post-valve outlet pressure 2 : 0.8~1.6MPa

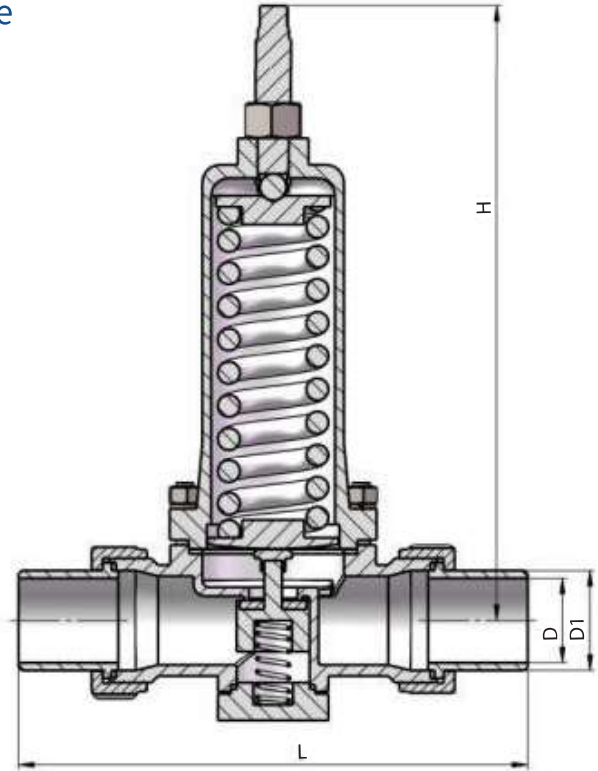
■ Materials

Body : Stainless Steel

Bonnet: Stainless Steel

Packing: PTFE

Disc Seal: PCTFE



SIZE(mm)					
CODE	DN	L	H	D	D1
25DY22F-25	25	218	275	26	32
40DY22F-25	40	237	285	38	45
50DY22F-25	50	265	293	49	57