

DY12F-50P Cryogenic Pressure Build Regulator

■ Technical Parameters

Nominal Pressure: 5.0MPa

Nominal Diameter: 15 mm

Suitable Medium: O₂, N₂, Ar, LNG, CO₂, etc.

Suitable Temp.: -196°C ~ +80°C

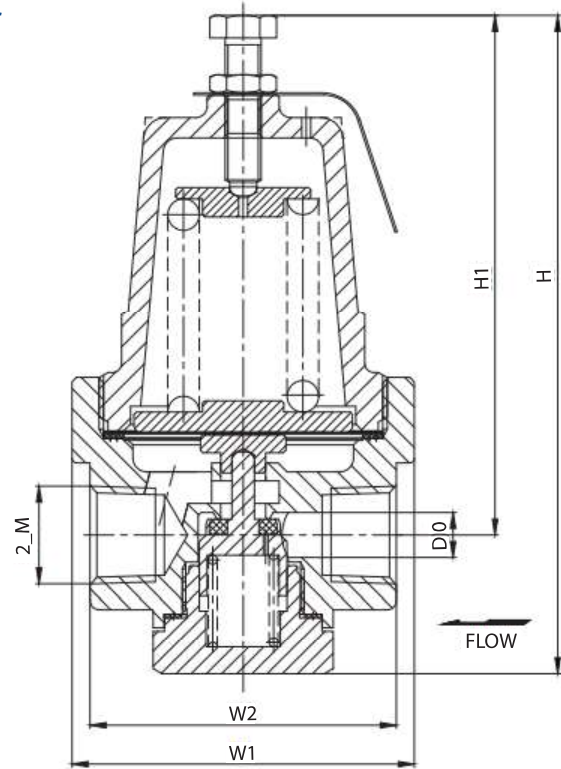
Connection Type: Thread

Standard: GB/T12244, GB/T12245

Body, Cover, Disc: Copper

Spring: Stainless Steel

Sealing Material: PFA



CODE	Connection Size (mm)						Set Pressure (MPa)
	H	H1	W1	W2	D0	M	
DYS-15D	141	110	76	68	10	NPT1/2	0.2~1.6
DYS-15D1	141	110	76	68	10	NPT1/2	1.6~3.0
DYS-15D2	141	110	76	68	10	NPT1/2	3.0~3.5