

DA22Y-40P Cryogenic Full Lift Safety Valve

■ Technical Parameters

Nominal Diameter: 10~40mm

Nominal Pressure: 4.0MPa

Applicable Medium: LNG、LO2、LN2、LAr

Applicable Temperature: -196℃~+80℃

Seal: Soft Seal

End Connection: Thread

■ Materials

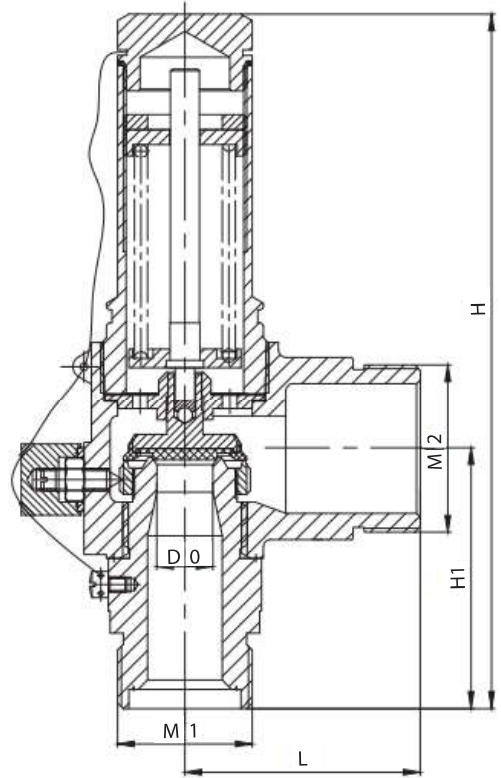
Body: Stainless Steel

Spring: Stainless Steel

Disc: Stainless Steel

Seat: Stainless Steel

Seal Ring: PTFE



CODE	Connection Size (mm)						Nominal Diameter	Set Pressure (MPa)
	H	H1	D0	L	M1	M2		
DA22F-15G	160	56	∅ 10.5	49	M30*1.5	M36*2	∅ 15	0,4 - 1.59
DA22F-15G1								1.6 - 2.7
DA22F-15G2								2.71 - 3.5
DA22F-25G	185.5	69.5	∅ 15	51	M36*2	NPT11/4	∅ 25	04 - 1.59
DA22F-25G1								15-27
DA22F-25G2								2.71 - 3.5