

## DA21-40P Cryogenic low Lift Safety Valve

### ■ Technical Parameters

Nominal Diameter: 10~25mm

Nominal Pressure: 4.0MPa

Applicable Medium: LNG、LO2、LN2、LAr

Applicable Temperature: -196°C~+80°C

Seal: Soft Seal

End Connection: Thread

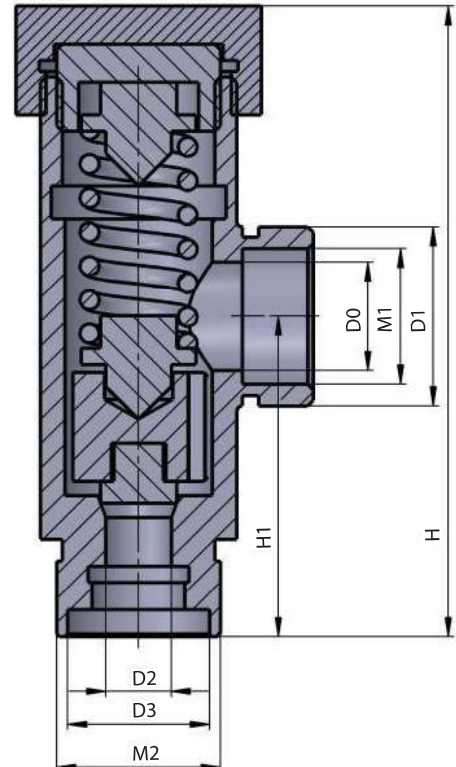
### ■ Materials

Body: Stainless Steel

Spring: Stainless Steel

Disc: Stainless Steel

Seal Ring: PCTFE



CODE	SIZE(mm)							
	H	H1	L	M1	M2	D0	D1	D2
10DA21F-40	92	56	26	M16X1	M16X1	10	20	10
15DA21F-40	111	61	38	M27X1.5	M30X2	20	34	12
25DA21F-40	140	80	41	M33X2	M36X2	25	40	20