

F7115 1.3 Megapixel Day/Night Wireless Box Camera



- ▶ 1.3 megapixel resolution
- ▶ Multiple H.264, Motion JPEG and MPEG-4 video streams
- ▶ Wireless 802.11b/g/n
- ▶ Analog video output
- ▶ SD local storage
- ▶ RS-485 for pan/tilt control

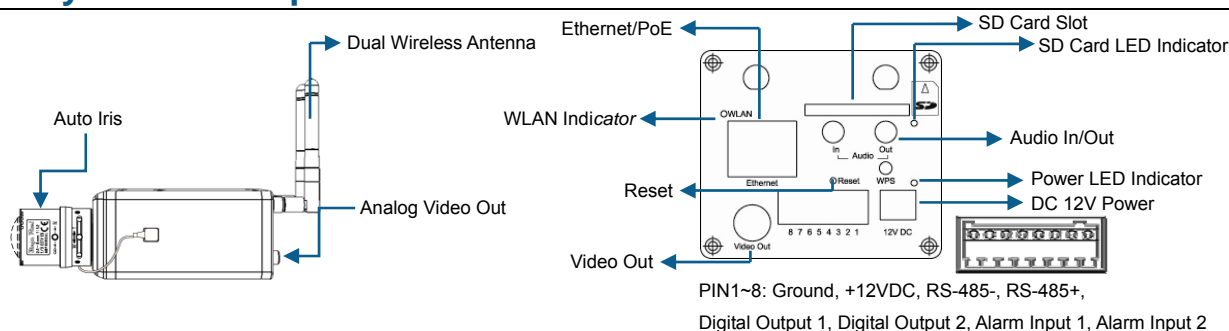
- 1.3 megapixel progressive scan CMOS sensor
- Multiple H.264, Motion JPEG, MPEG-4 and 3GPP video streams
- 15 fps in 1280 x 1024, 30 fps in 640 x 480
- Day/night functionality with automatic removable IR-cut filter
- Changeable CS-mount lens with DC-iris support (recommend to use Tamron Mega-Pixel Vari-Focal lens)
- Analog video output through RCA connector
- SD/SDHC card local storage
- Two-way audio with built-in microphone and audio detection
- Wireless 802.11b/g/n
- 2 x alarm input, 2 x alarm output
- RS-485 for pan/tilt control
- RTC with built-in battery
- SSL v3 advanced HTTPS encryption
- Full support for Firefox, Safari and Mac OS
- Supports Samba network storage
- 3GPP mobile surveillance
- Easy access via EZvuu and Windows Live Messenger
- Multi-lingual user interface
- 16 channel surveillance software
- Supports ONVIF

Technical Specifications

Models	F7115 1.3 Megapixel Day/Night Wireless Box Camera
Image sensor	1/4" Progressive scan CMOS 1.3 Megapixel sensor
Lens	Changeable CS-mount lens (support auto iris)
Digital zoom	10x digital
Min Illumination	0.5 Lux
Day/Night	Mechanical IR cut filter with light sensor
S/N ratio	44dB
Video compression	Motion JPEG MPEG-4 Part 2 (ISO/IEC 14496-2) Simple Profile H.264 Baseline Profile
Resolutions	Motion JPEG: 4 resolutions from 1280x1024 to 320x240 via API, 4 selections via configuration web page MPEG-4: 4 resolutions from 1280x1024 to 320x240 via API, 4 selections via configuration web page H.264: 4 resolutions from 1280x1024 to 320x240 via API, 4 selections via configuration web page
Frame rate	Motion JPEG: Up to 15 fps at 1280x1024 Up to 30 fps at 640x480 MPEG-4: Up to 15 fps at 1280x1024 Up to 30 fps at 640x480 H.264: Up to 15 fps at 1280x1024 Up to 30 fps at 640x480
Video streaming	Simultaneous Motion JPEG, MPEG-4, H.264 and 3GPP (4 streaming) Controllable Frame rate and bandwidth Support Unicast and Multicast Support 3GPP/ISMA RTSP (Real Time Streaming Protocol)
Image settings	Rotation: Mirror, Flip, Mirror Flip brightness, contrast, saturation Overlay capabilities: time, date, text and privacy image
Shutter time	1~ 1/17780 sec.
Audio	Two-way (full duplex) with Built-in microphone External microphone input or line input Audio compression: G.711 μ law, a law, and AMR
Local storage	SD/SDHC memory card support with LED indicator
Real time clock	RTC with rechargeable battery inside
Analog video out	RCA type with BNC adapter
Wireless interface	IEEE 802.11b/g/n and dual antenna
Security	Multiple user access levels with password protection, HTTPS encryption WEP 64/128 bit, WPA/WPA2-PSK
Users	10 simultaneous users Unlimited number of users using multicast
Alarm input/output	Alarm input 5V/12V DC Alarm output Max 30W

Instant messenger	Support MSN Live View
Alarm and event management	Input: alarm buffer, alarm input, motion detection, audio detection Output: network storage, memory card, FTP, SMTP, HTTP event, alarm output Pre-and post alarm buffer
Connectors	Dual SMA type wireless antenna connectors RCA analog video out with BNC adapter 2 pin terminal blocks for DC power 8 pin terminal blocks for 2 alarm input, 2 output and 1 RS-485/RS-422 Reset push switch, WPS push button SD/SDHC memory card slot 3.5 mm jack for Mic/Line, 3.5 mm jack for line out
Casing	Aluminum
Power	12V DC, 1A, Max 12W
Operating conditions	0 ~ 50 °C (32 ~ 122 °F)
Installation, management, and maintenance	ZAVIO Camera Management tool on CD and web-based configuration. Configuration of backup and restore Firmware upgrades over HTTP, firmware available at www.zavio.com
Minimum web browsing requirement	Core Duo 2.8GHz (or equivalent AMD) 256 MB RAM graphic cards (or equivalent on-board graphic cards) 1 G RAM Window 2000, 2003, XP, Vista or Windows 7 Mac OS Leopard 10.5
Supported protocols	Bonjour, TCP/IP, DHCP, PPPoE, ARP, ICMP, FTP, SMTP, DNS, NTP, UPnP, RTSP, RTP, RTCP, HTTP, TCP, UDP, 3GPP/ISMA RTSP
Included accessories	Quick Installation Guide, CD (IP Surveillance Software, Intelligent IP Installer, User Manuals, and Language Pack), BNC female to RCA male adapter, 8 pin terminal block for DI/DO and RS-485, dual antenna for wireless connection, mounting and connector kits, power supply 12V DC
Video management software	ZAVIO Intelligent IP Installer_Video management software, for viewing, recording and archiving up to 16 cameras See http://www.zavio.com/support.htm for more software application EZvuu web-based 9 channel surveillance software
Approvals	CE, FCC, RoHS
Dimensions (HxWxD) and weight	115 x 64 x 56 mm (4.5" x 2.5" x 2.2") 278 g (0.61 lb) excl. power supply

Physical Description



▶ ACCESSORY OPTIONS

Lens

Tamron

Mega-Pixel Vari-Focal Lens



- Type: 1/3"
- Focal Length: 2.4 ~ 6mm
- Aperture: F/1.2 ~ 360
- Iris Control: DC Auto Iris
- Focus Control: Manual with Lock
- Zoom Control: Manual with Lock
- Angle of View: 26.6° ~ 62.6° vertical; 35.4° ~ 83.5° horizontal