

W1090

Full-HD Home Projector for Sports and Movies



Features

- Sport Mode for Brilliant Audiovisual Experience
- Native 1080p Full-HD Image Quality
- Short Throw Projection with 100" at 2.5 Meters
- Brilliant Color with 6X RGBRGB Color Wheel
- CinemaMaster Audio with 10W Speaker



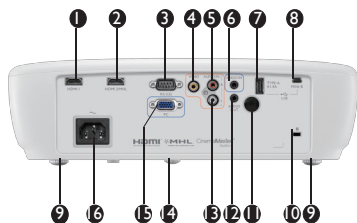
Product Specifications

Projection System	DLP	
Native Resolution	1080p (1920x 1080)	
Display Pixels	2.1 million	
Brightness	2000 ANSI lumens	
Contrast Ratio	10000 : 1	
Display Color	30 bits (1.07 Billion Colors)	
Lens	F=2.59~2.87, f=16.88~21.88	
Aspect Ratio	Native 16:9 (5 aspect ratios selectable)	
Throw Ratio	1.15~1.5	
Image Size (Diagonal)	300"	
3D Compatibility	Frame Sequential: Up to 60Hz 720p Frame Packing: Up to 24Hz 1080p Side by Side: Up to 24Hz 1080p Top Bottom: Up to 60Hz 1080p	
Zoom Ratio	1.3x	
Light Source	210W	
Light Source Life	3000 / 4500 / 6500 hours (Normal / Economic / SmartEco)*	
HDTV Compatibility	480i, 480p, 576i, 576p, 720p, 1080i, 1080p	
Video Compatibility	NTSC, PAL, SECAM, SDTV(480i/576i), EDTV (480p/576p, HDTV (720p, 1080i/p 60Hz)	
Horizontal Frequency	15K~102KHz	
Vertical Scan Rate	23 - 120Hz	
Color Wheel Segment	6-Segment (RGBRGB)	
Color Wheel Speed	6x (50Hz), 4x (60Hz)	
Interface	Computer in (D-sub 15pin)	x 1 (integrated with component)
	HDMI	x 2 (HDMI with MHL2.0 x 1, HDMI x 1)
	MHL	x 1 (HDMI with MHL2.0)
	Composite Video in (RCA)	x 1
	Audio in (Mini Jack)	x 1
	Audio in (L/R)	x 1
	Audio out (Mini Jack)	x 1
	Speaker	10W x 1 with CinemaMaster Audio+
	USB (Type A)	x 1
	USB (Type mini B)	x 1 (Service Only)
	RS232 (DB-9pin)	x 1
	IR Receiver	x 2 (Front and Rear)
Dimensions	Dimensions (W x H x D)	346.24 mm x 101.70 mm x 214.81 mm
	Weight	2.75 kg
Power	Power Supply	AC 100 to 240V, 50 / 60 Hz
	Power Consumption	270 W (Normal), 220 W (Eco), Standby <0.5 W
Noise Level	36 / 32 dBA (Normal / Economic mode)	
On-Screen Display Languages	Arabic / Bulgarian / Croatian / Czech / Danish / Dutch / English / Finnish / French / German / Greek / Hindi / Hungarian / Italian / Indonesian / Japanese / Korean / Norwegian / Polish / Portuguese / Romanian / Russian / Simplified Chinese / Spanish / Swedish / Turkish / Thai / Traditional Chinese (28 Languages)	
Picture Modes**	Bright / Vivid / Cinema / Game / User / 3D	
Accessories	Standard	Remote Control with Battery User Manual CD Quick Start Guide Warranty Card Power Cord
	Optional	Spare Lamp Kit RS232 Cable Universal Ceiling Mount Carry Bag Wireless FHD Kit (WDP02)

* Lamp life results will vary depending on environmental conditions and usage. Actual product's features and specifications are subject to change without notice.

** Default mode is Vivid. When 3D is on, Picture Modes only shows 3D. When 3D is off, it is not shown in Picture Modes.

Input and Output Terminals



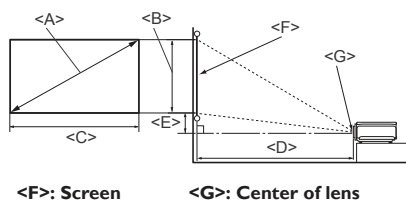
- 1 HDMI 1 input jack
- 2 HDMI 2 / MHL dual mode port
Also can be charging connected MHL compatible smart device as long as the power is fed to the projector.
- 3 RS-232 control port
Used to interface with a PC or home theater control/automation system.
- 4 VIDEO input jack
- 5 AUDIO input jack (R)
- 6 AUDIO input jack
- 7 USB Type A 1.5A
Used for charging the receiver box of the Wireless.
- 8 USB Mini B input jack
Used for service.
- 9 Rear adjuster foot
- 10 Kensington anti-theft lock slot
- 11 Rear IR remote sensor
- 12 AUDIO output jack
- 13 AUDIO input jack (L)
- 14 Front adjuster foot
- 15 COMPUTER PC input jack
- 16 AC power cord inlet

Dimensions

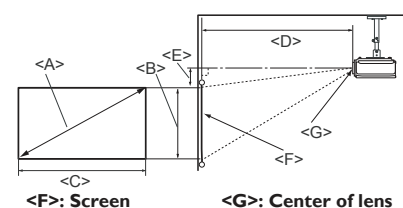


Distance Chart

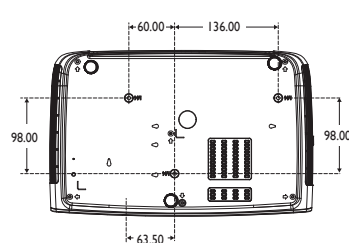
Floor Installation



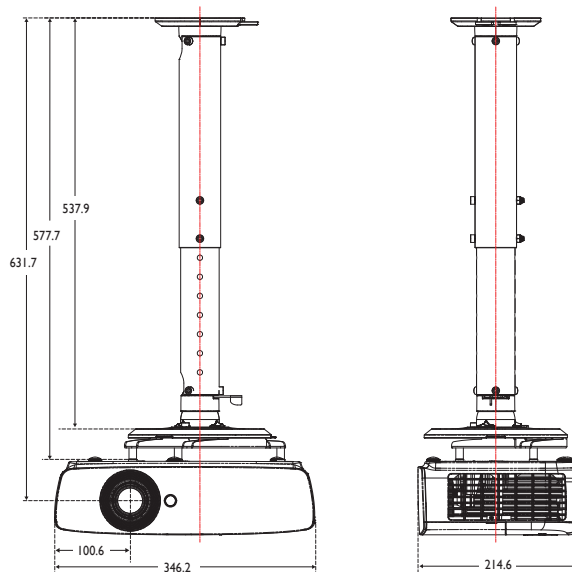
Ceiling Installation



Ceiling Mount Chart



*Ceiling Mount Screws:
M4 (Max. L=25, Min. L=20)



Unit: mm

Screen dimensions			Projection distance <D> mm			Offset (full height definition) <E> mm
Diagonal <A> Inch (mm)	Height mm	Width <C> mm	Min distance (with max zoom)	Average	Max distance (with min zoom)	
50 (1270)	623	1107	1273	1461	1649	93
60 (1524)	747	1328	1528	1753	1979	112
70 (1778)	872	1550	1782	2046	2309	131
80 (2032)	996	1771	2037	2338	2639	149
90 (2286)	1121	1992	2291	2630	2969	168
100 (2540)	1245	2214	2546	2922	3299	187
110 (2794)	1370	2435	2800	3214	3628	205
120 (3048)	1494	2657	3055	3507	3957	224
130 (3302)	1619	2878	3310	3799	4288	243
140 (3556)	1743	3099	3564	4091	4618	262
150 (3810)	1868	3321	3819	4383	4948	280
160 (4064)	1992	3542	4073	4676	5278	299
170 (4318)	2117	3763	4328	4968	5608	318
180 (4572)	2241	3985	4583	5260	5937	336
190 (4826)	2366	4206	4837	5552	6267	355
200 (5080)	2491	4428	5092	5844	6597	374
250 (6350)	3113	5535	6365	7306	8245	467
300 (7620)	3736	6641	7638	8767	9896	560

BenQ Europe B.V.

Meerenakkerweg 1-17
5652 AR Eindhoven
The Netherlands
Tel: +31 88 8889200
Fax: +31 88 8889299

BenQ.eu

© 2016 BenQ Corp. Specification may vary by region, please visit your local stores for details. Actual product's features and specifications are subject to change without notice. This material may include corporate names and trademarks of third parties which are the properties of the third parties respectively.

