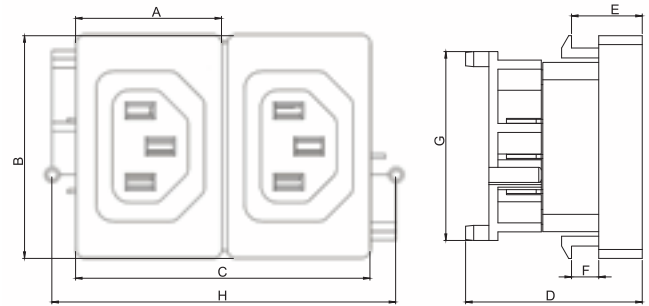









200-250V  
10A  
2P+⏏  
IEC 320



	Ref. Code	A	B	C	D	E	F	G	H		
											gr.
	21040492	29.5	45	60	36	14.5	5.5	38	70	30	59
	21040493	29.5	45	90.5	36	14.5	5.5	38	101	30	82
	21040494	29.5	45	121	36	14.5	5.5	38	132	30	108.4

TEM®



KAUÇUK FİŞ & PRİZLER  
rubber plugs & sockets

116200



**MONOFAZE KAUÇUK SEYYAR PRİZ**

single phase rubber connector



200-250V  
16A  
2P+⏚  
IP 44



116300

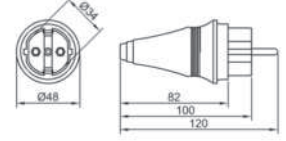


**MONOFAZE KAUÇUK FIŞ**

single phase rubber plug



200-250V  
16A  
2P+⏚  
IP 44



116100

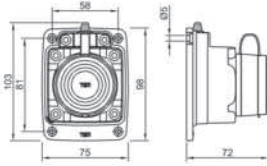


**MONOFAZE KAUÇUK DUVAR PRİZİ**

single phase rubber wall mounting socket



200-250V  
16A  
2P+⏚  
IP 44



116500

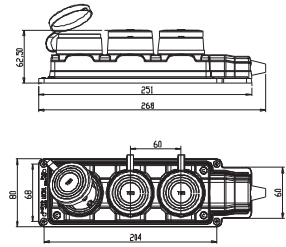


**MONOFAZE KAUÇUK ÜÇLÜ GRUP PRİZ**

single phase rubber three way multi socket



200-250V  
16A  
2P+⏚  
IP 44



# TRİFAZE KAUÇUK FİŞ & PRİZLER

three phase rubber sockets & plugs

TEM®

42520



**TRİFAZE KAUÇUK  
SEYYAR PRİZ**

three phase rubber  
connector



380-415V  
25A  
3P+⏚  
IP 44



42521

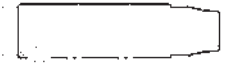


**2 TRİFAZE  
1 MONOFAZELİ  
GRUP PRİZ**

three way socket with  
2 three phase  
1 single phase socket



380-415V  
25A  
3P+⏚  
IP 44



42530



**TRİFAZE KAUÇUK  
FİŞ**

three phase rubber  
plug



380-415V  
25A  
3P+⏚  
IP 44



116151

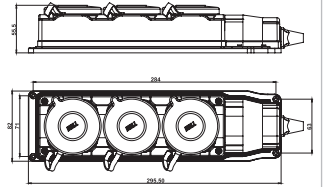


**ÜÇLÜ TRİFAZE  
KAUÇUK GRUP PRİZ**

three phase rubber  
three way multi socket



380-415V  
25A  
3P+⏚  
IP 44



42515



**PANO PRİZİ**

panel mounting socket



380-415V  
25A  
3P+⏚  
IP 44



42510

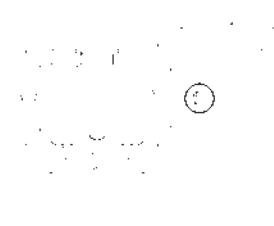


**DİK KASALI DUVAR PRİZİ**

wall mounting socket with straight box



380-415V  
25A  
3P+⏚  
IP 44



42511

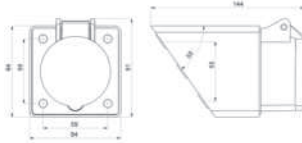


**EĞİK KASALI DUVAR PRİZİ**

wall mounting socket with angled box



380-415V  
25A  
3P+⏚  
IP 44



42511.2161015

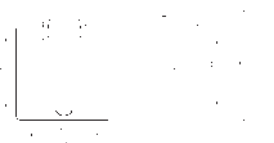


**EĞİK KASALI DUVAR PRİZİ + SCHUKO**

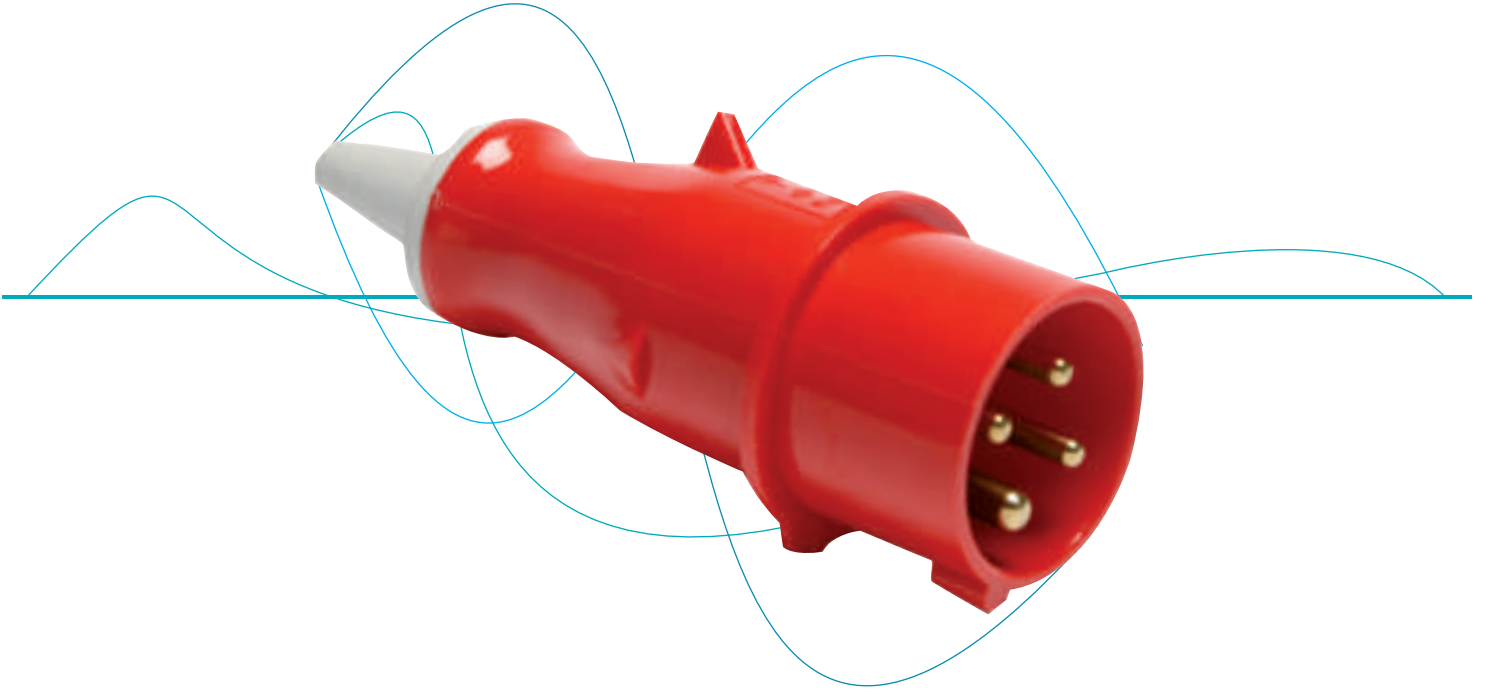
wall mounting socket with angled box + schuko



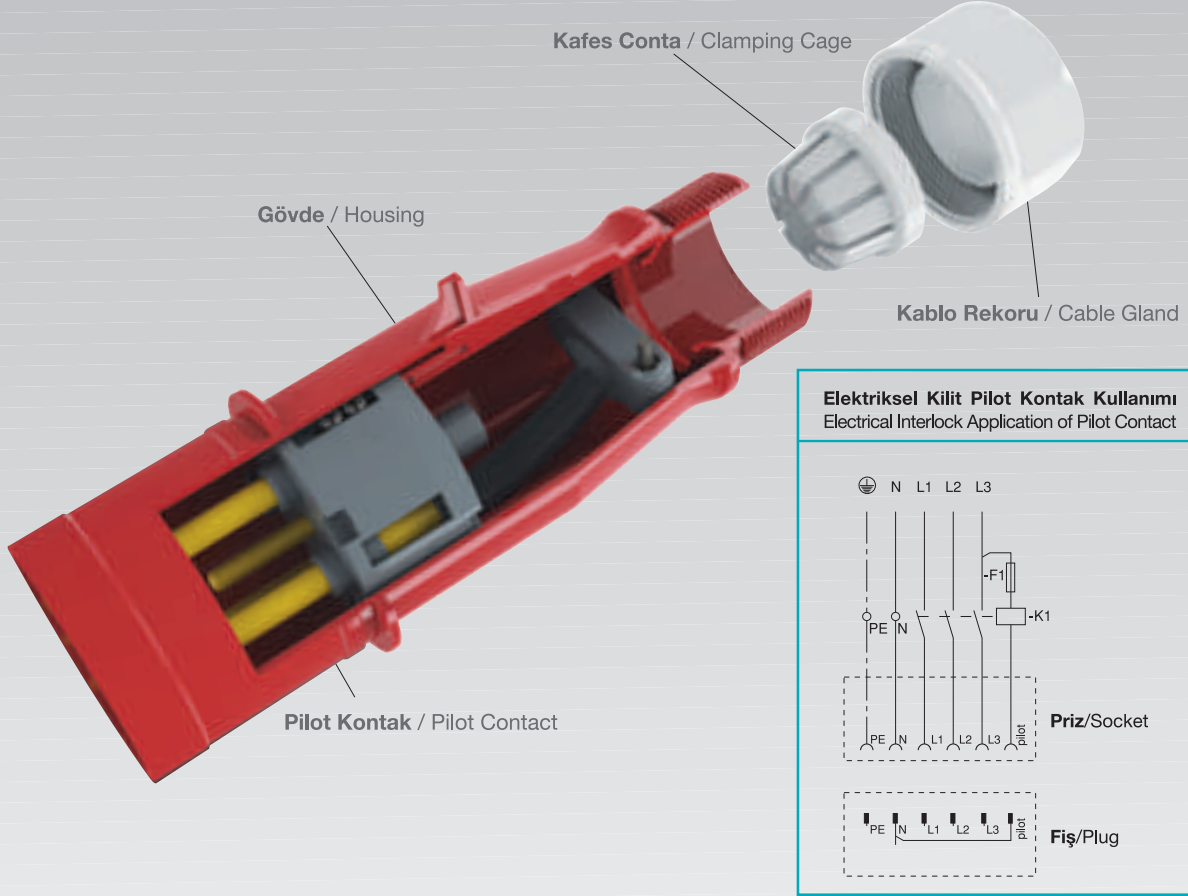
380-415V  
25A  
3P+⏚  
IP 44



TEM®



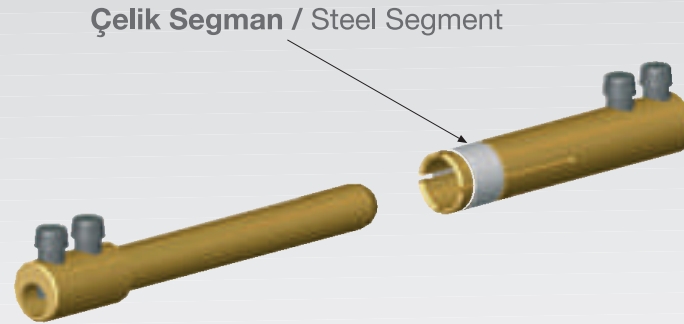
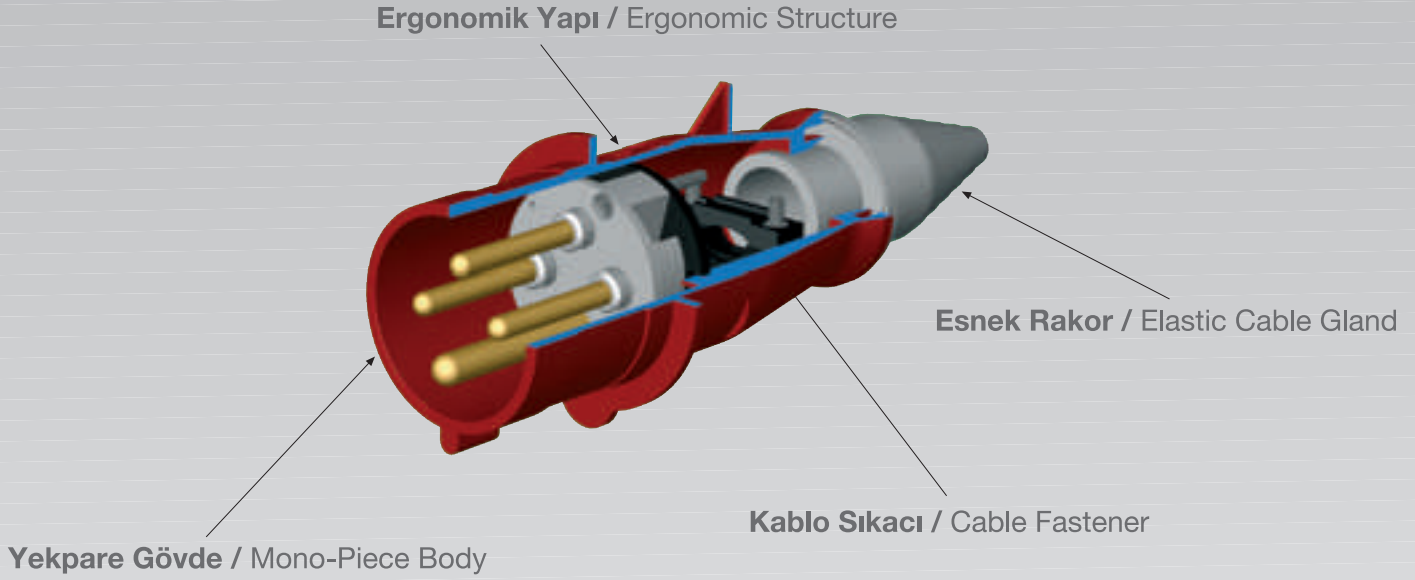
CEE NORM FİŞ & PRİZLER  
cee norm plugs & sockets



Standards	Nominal Voltage Un (V)	Poles	Color	Nominal Current In (A)	h	IP	Hz.	Installation Temperature	
								-25°C	+60°C
EN 60309-1-2 TS 7205-7206	110	3	Yellow	16	4	44	50-60	-25°C	+60°C
	220	3	Blue	16	6	44			
	380	4	Red			44-67			
	380	5	Red	44-67					
	220	3	Blue	32	44-67				
	380	4	Red	44-67					
	380	5	Red	63	44-67				
	380	4	Red	63	44-67				

Nominal Current in (A)	Terminal	Terminal Cable Capacity mm² NYA	
		min.	max.
A	mm²		
16	20	1,5	4
32	50	2,5	10
63	113	6	25

Material	Installation Temperature	Heat Resistance Level
PA	-25°C +60°C	V2

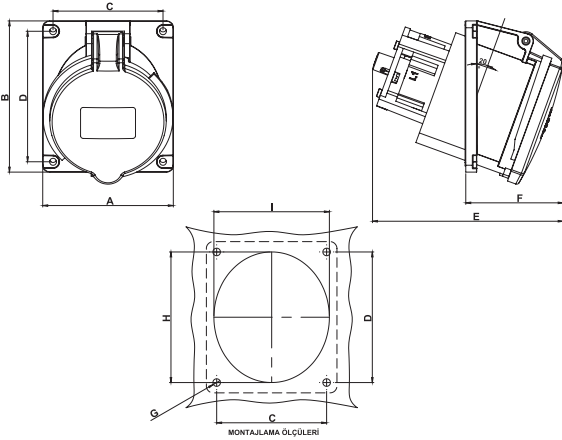


Mükemmel Temas Sağlayan Kutuplar / Full-Contact Poles

TEM CEE fiş ve prizleri, çeşitli kutuplar (2P+E; 3P+E; 3P+N+E) sayesinde, elektrik devrelerine bağlanarak gerekli ihtiyaçlar karşılar. Alçak gerilimde çalışmaya uygun üretilirler (110V, 220V, 380V, 450V) ve gerilimlerine göre renklendirilirler. IP 44 ve IP 67 gibi yüksek koruma dereceleri, değişik nominal akım değerleri (16A, 32A, 63A) ve uygulama alanına göre çeşitli şekilleri (duvar tipi, pano tipi, eğik, düz, kasalı ..) mevcuttur. Yürürlükte olan ulusal ve uluslararası standartlara uygun olarak üretilen TEM CEE fiş ve prizleri, kaliteli bileşenleri ile güvenliği garanti eder.

TEM CEE plugs and sockets, with their number of poles (2P+E; 3P+E; 3P+N+E) connecting to almost any electric circuit, meet appropriately the requirements. They are adapted to operate at low voltage (110V, 220V, 380V, 450V) and colored according to their feeding. Different execution styles (wall mounting, panel mounting, angled, straight, with box) are available like high protection degrees (IP 44 and IP 67) and different nominal currents (16A, 32A, 63A). All TEM CEE plugs and sockets are manufactured in compliance with the national and international regulations in force. With good quality component parts guarantee the safety.





IP 44	Amp.	V	h	Ref. Code		
						gr.
2P+E	16	110-130 ●	4	<b>3416150</b>	12	120
	16	200-250 ●	6	<b>316150</b>	12	118.5
	32	200-250 ●	6	<b>332150</b>	12	235
3P+E	16	380-415 ●	6	<b>416150</b>	12	161
	16	380-415 ●	6	<b>416120</b>	12	183.4
	32	380-415 ●	6	<b>432150</b>	12	242
	63	380-415 ●	6	<b>463150</b>	6	537
3P+N+E	16	380-415 ●	6	<b>516150</b>	12	153
	32	380-415 ●	6	<b>532150</b>	12	263
	63	380-415 ●	6	<b>563150</b>	6	586

	Amp.	Ref. Code	A	B	C	D	E	F	G	H	I
2P+E	16	<b>3416150</b>	79.5	79.5	60	60	72	52.5	4.5	65	65
	16	<b>316150</b>	79.5	79.5	60	60	72	52.5	4.5	65	65
	32	<b>332150</b>	92	100.5	75	85	109	61	6	84	84
3P+E	16	<b>416150</b>	79.5	79.5	57.5	57.5	90	58	5	70	70
	16	<b>416120</b>	92	102	75	85	99.5	58	6	84	84
	32	<b>432150</b>	92	102	75	85	99.5	58	6	84	84
	63	<b>463150</b>	95	110	80	95	139	71	5	95	84
3P+N+E	16	<b>516150</b>	79.5	79.5	60	60	70.5	48	4.5	57	57
	32	<b>532150</b>	92	101	75	85	105	61	6	84	84
	63	<b>563150</b>	95	110	80	95	139	71	5	95	84

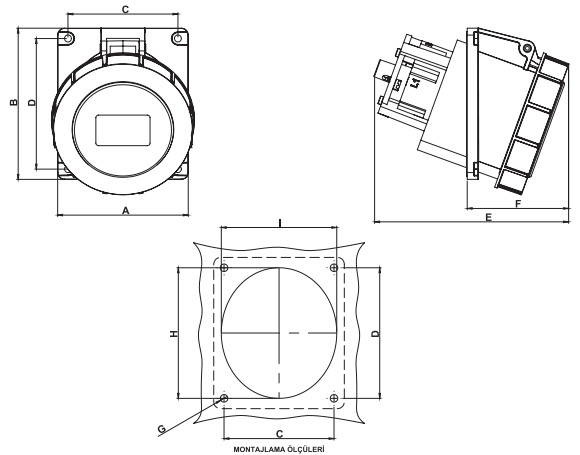
# KİLİTLİ KAPAKLI PANO PRİZİ

panel mounting socket with locked cover

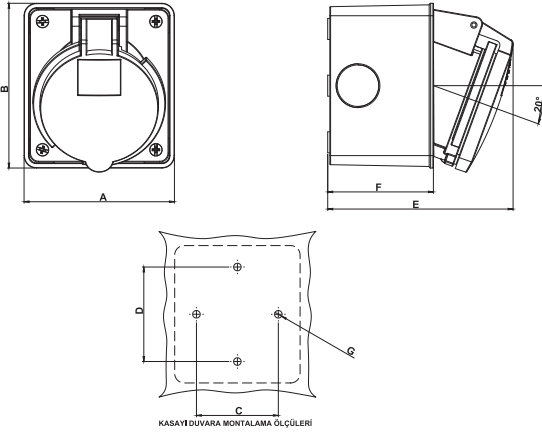
TEM®



IP 67	Amp.	V	h	Ref. Code		
						gr.
2P+E	32	200-250 ●	6	332151	12	248
3P+E	16	380-415 ●	6	416151	12	206
	32	380-415 ●	6	432151	12	271
	63	380-415 ●	6	463151	6	572
3P+N+E	16	380-415 ●	6	516151	12	181
	32	380-415 ●	6	532151	12	286
	63	380-415 ●	6	563151	6	627.5



	Amp.	Ref. Code	A	B	C	D	E	F	G	H	I
2P+E	32	332151	92	101	75	85	108	60	6	84	84
3P+E	16	416151	79.5	79.5	57.5	57.5	87	57	5	70	70
	32	432151	92	102	75	85	100.5	60	6	84	84
	63	463151	95	110	80	95	142	74	5	95	84
3P+N+E	16	516151	79.5	79.5	60	60	72.5	50	4.5	57	57
	32	532151	92	101	75	85	103	60	6	84	84
	63	563151	95	110	80	95	142	74	5	95	84



IP 44	Amp.	V	h	Ref. Code		
						gr.
2P+E	16	110-130 ●	4	<b>3416100</b>	12	180
	16	200-250 ●	6	<b>316100</b>	12	181
	32	200-250 ●	6	<b>332100</b>	6	344
3P+E	16	380-415 ●	6	<b>416100</b>	12	221
	32	380-415 ●	6	<b>432100</b>	6	357
3P+N+E	16	380-415 ●	6	<b>516100</b>	12	220
	32	380-415 ●	6	<b>532100</b>	6	371

	Amp.	Ref. Code	A	B	C	D	E	F	G
2P+E	16	<b>3416100</b>	86	86	55	55	94	45	6
	16	<b>316100</b>	86	86	55	55	94	45	6
	32	<b>332100</b>	99.5	109	64	75	122.5	70	6
3P+E	16	<b>416100</b>	86	86	55	55	99	45	6
	32	<b>432100</b>	99.5	109	65	75	121	70	6
3P+N+E	16	<b>516100</b>	86	86	55	55	90.5	45	6
	32	<b>532100</b>	99.5	109	65	75	122.5	70	6

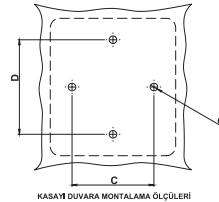
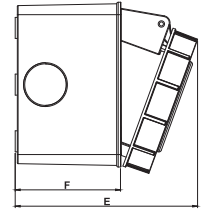
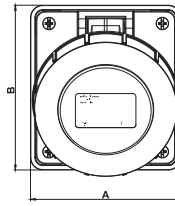
# DİK KASALI KİLİTLİ KAPAKLI DUVAR PRİZİ

wall mounting socket with straight box and locked cover

TEM®



IP 67	Amp.	V	h	Ref. Code		
						gr.
2P+E	32	200-250 ●	6	332101	6	368
3P+E	16	380-415 ●	6	416101	6	321
	32	380-415 ●	6	432101	6	390
3P+N+E	16	380-415 ●	6	516101	12	250
	32	380-415 ●	6	532101	6	410



	Amp.	Ref. Code	A	B	C	D	E	F	G
2P+E	32	332101	99.5	109	64	75	122	70	6
3P+E	16	416101	86	86	55	55	120	45	6
	32	432101	99.5	109	65	75	122	70	6
3P+N+E	16	516101	86	86	55	55	92.5	45	6
	32	532101	99.5	109	65	75	120	70	6