

TEM®



KAUÇUK FİŞ & PRİZLER
rubber plugs & sockets

116200



MONOFAZE KAUÇUK SEYYAR PRİZ

single phase rubber connector



200-250V
16A
2P+⏚
IP 44



116300

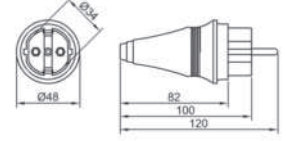


MONOFAZE KAUÇUK FİŞ

single phase rubber plug



200-250V
16A
2P+⏚
IP 44



116100

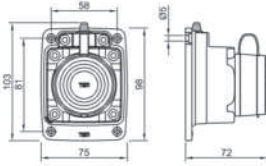


MONOFAZE KAUÇUK DUVAR PRİZİ

single phase rubber wall mounting socket



200-250V
16A
2P+⏚
IP 44



116500

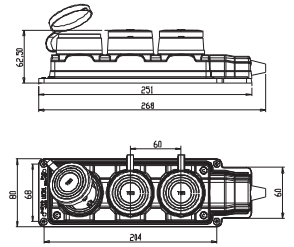


MONOFAZE KAUÇUK ÜÇLÜ GRUP PRİZ

single phase rubber three way multi socket



200-250V
16A
2P+⏚
IP 44



TRİFAZE KAUÇUK FİŞ & PRİZLER

three phase rubber sockets & plugs

TEM®

42520



**TRİFAZE KAUÇUK
SEYYAR PRİZ**

three phase rubber
connector



380-415V
25A
3P+⏚
IP 44



42521

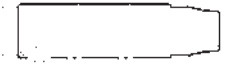


**2 TRİFAZE
1 MONOFAZELİ
GRUP PRİZ**

three way socket with
2 three phase
1 single phase socket



380-415V
25A
3P+⏚
IP 44



42530



**TRİFAZE KAUÇUK
FİŞ**

three phase rubber
plug



380-415V
25A
3P+⏚
IP 44



116151

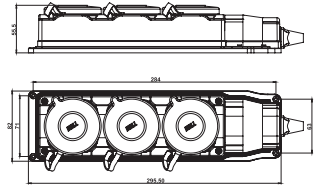


**ÜÇLÜ TRİFAZE
KAUÇUK GRUP PRİZ**

three phase rubber
three way multi socket



380-415V
25A
3P+⏚
IP 44



42515



PANO PRİZİ

panel mounting socket



380-415V
25A
3P+⏚
IP 44



42510

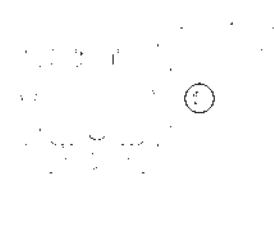


DİK KASALI DUVAR PRİZİ

wall mounting socket with straight box



380-415V
25A
3P+⏚
IP 44

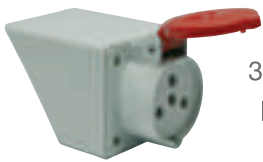


42511

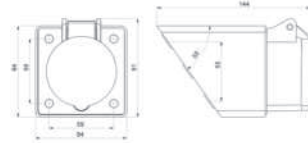


EĞİK KASALI DUVAR PRİZİ

wall mounting socket with angled box



380-415V
25A
3P+⏚
IP 44



42511.2161015

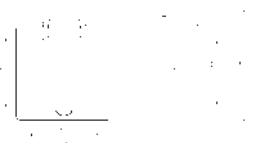


EĞİK KASALI DUVAR PRİZİ + SCHUKO

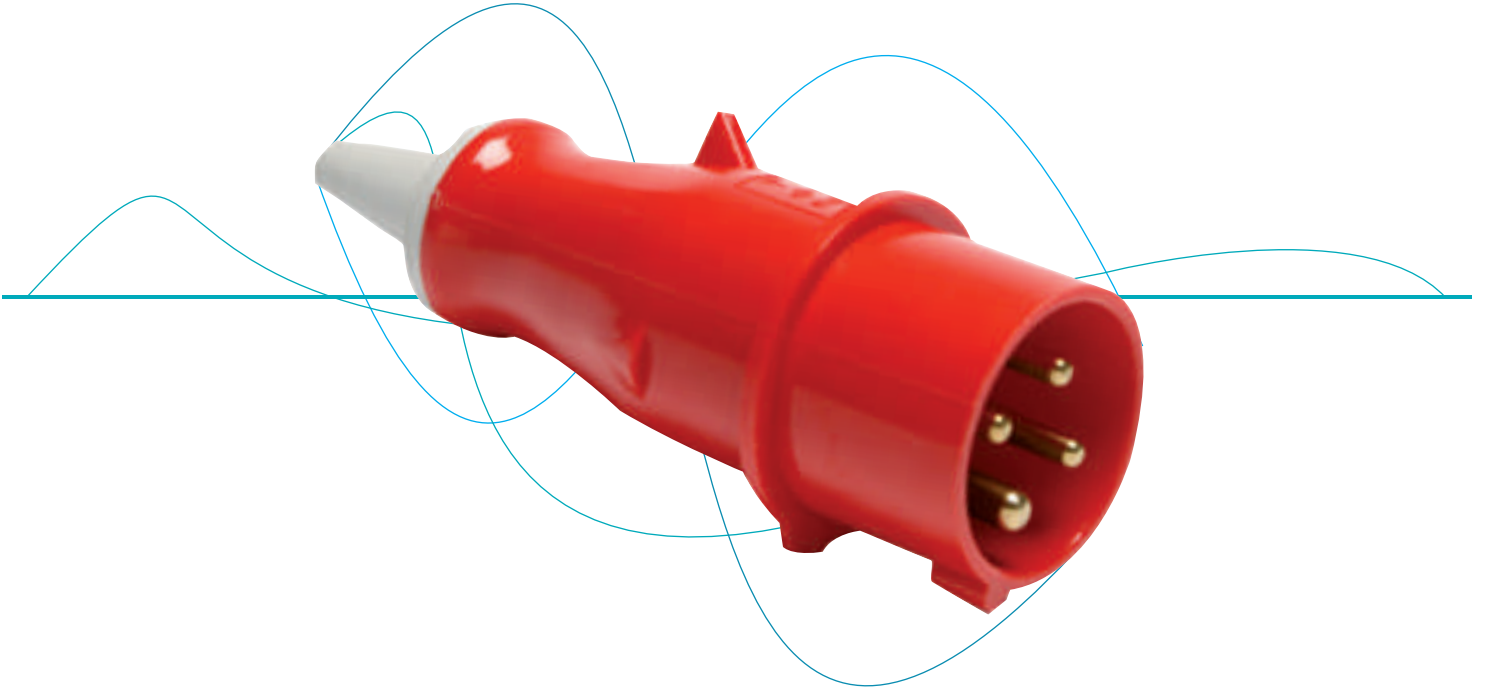
wall mounting socket with angled box + schuko



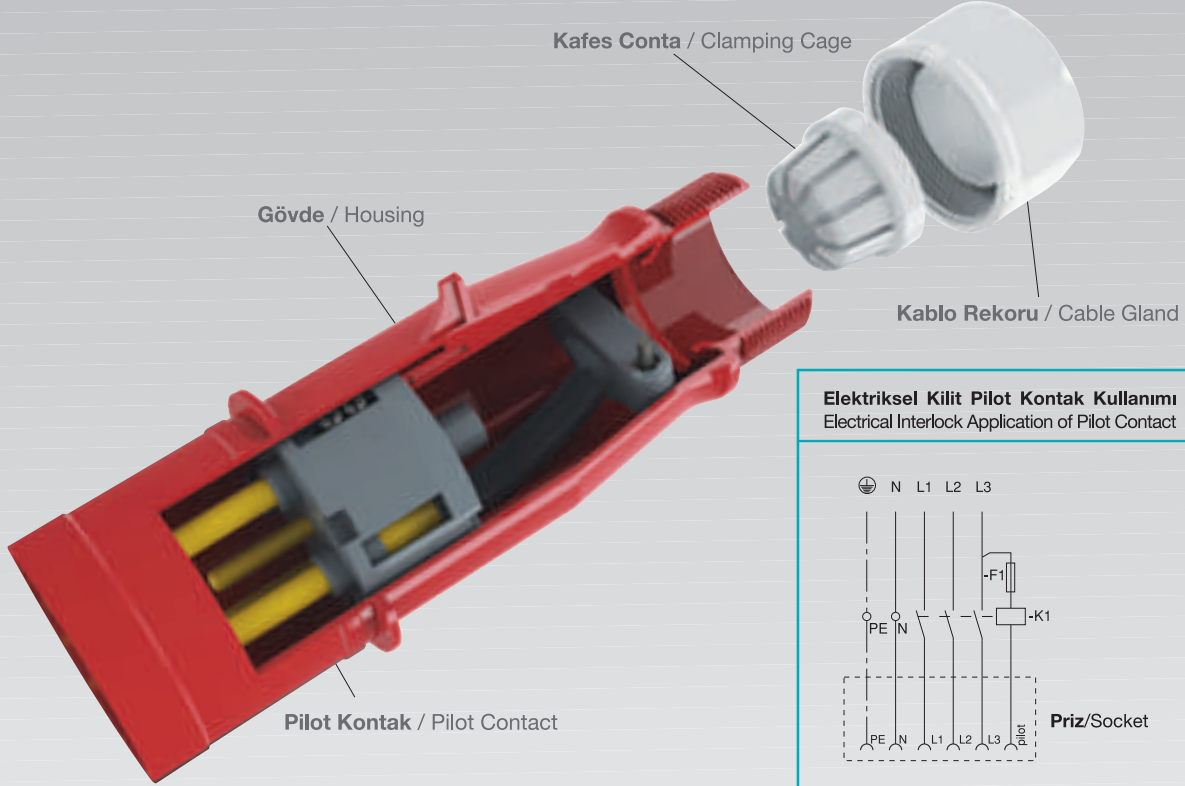
380-415V
25A
3P+⏚
IP 44



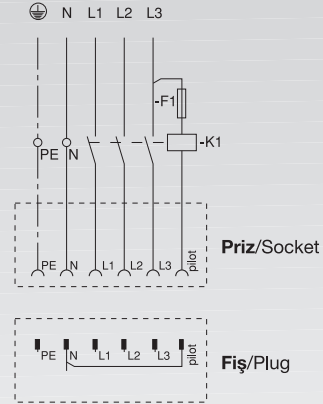
TEM®



CEE NORM FİŞ & PRİZLER
cee norm plugs & sockets



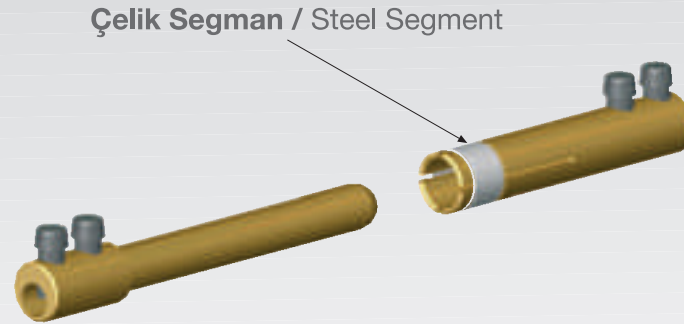
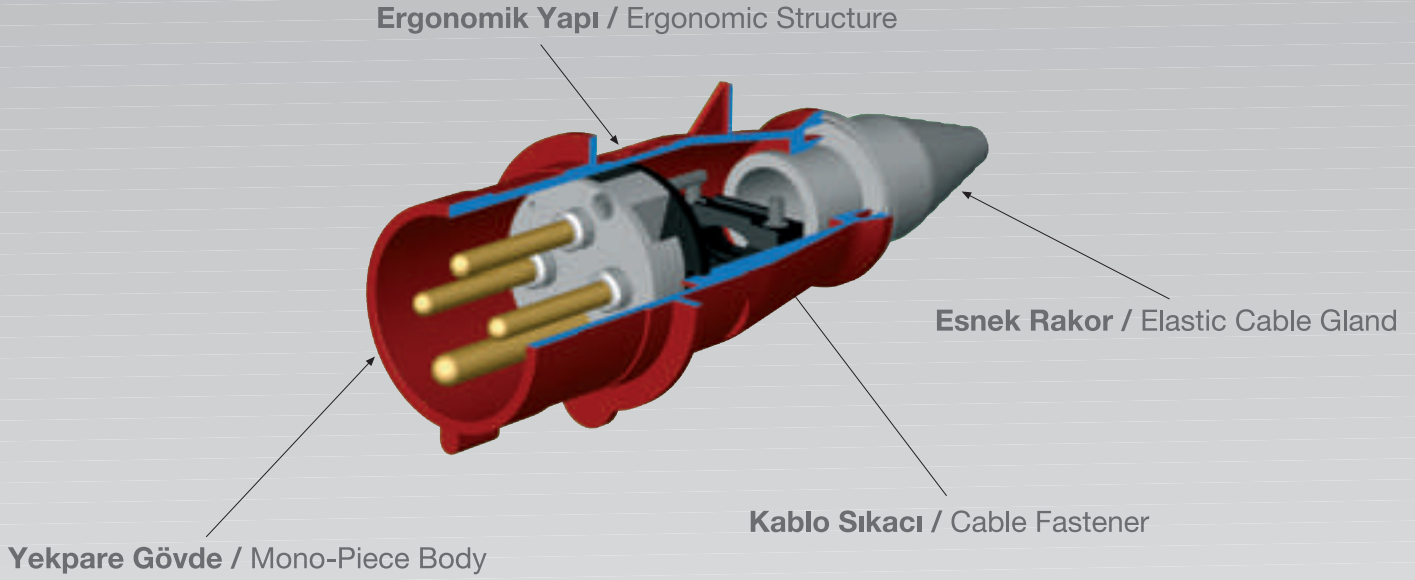
Elektriksel Kilit Pilot Kontak Kullanımı
Electrical Interlock Application of Pilot Contact



Standards	Nominal Voltage Un (V)	Poles	Color	Nominal Current In (A)	h	IP	Hz.	Installation Temperature	
								-25°C	+60°C
EN 60309-1-2 TS 7205-7206	110	3	Yellow	16	4	44	50-60	-25°C	+60°C
	220	3	Blue	16	6	44			
	380	4	Red			44-67			
	380	5	Red	44-67					
	220	3	Blue	32	44-67				
	380	4	Red	44-67					
	380	5	Red	63	44-67				
	380	4	Red	63	44-67				

Nominal Current in (A)	Terminal	Terminal Cable Capacity mm ² NYA	
		min.	max.
A	mm ²		
16	20	1,5	4
32	50	2,5	10
63	113	6	25

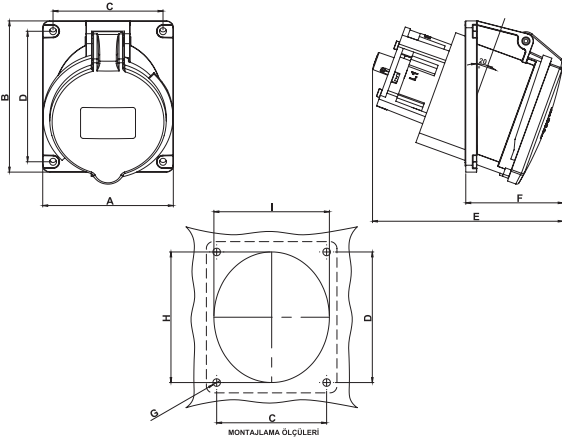
Material	Installation Temperature	Heat Resistance Level
PA	-25°C +60°C	V2



Mükemmel Temas Sağlayan Kutuplar / Full-Contact Poles

TEM CEE fiş ve prizleri, çeşitli kutuplar (2P+E; 3P+E; 3P+N+E) sayesinde, elektrik devrelerine bağlanarak gerekli ihtiyaçlar karşılar. Alçak gerilimde çalışmaya uygun üretilirler (110V, 220V, 380V, 450V) ve gerilimlerine göre renklendirilirler. IP 44 ve IP 67 gibi yüksek koruma dereceleri, değişik nominal akım değerleri (16A, 32A, 63A) ve uygulama alanına göre çeşitli şekilleri (duvar tipi, pano tipi, eğik, düz, kasalı ..) mevcuttur. Yürürlükte olan ulusal ve uluslararası standartlara uygun olarak üretilen TEM CEE fiş ve prizleri, kaliteli bileşenleri ile güvenliği garanti eder.

TEM CEE plugs and sockets, with their number of poles (2P+E; 3P+E; 3P+N+E) connecting to almost any electric circuit, meet appropriately the requirements. They are adapted to operate at low voltage (110V, 220V, 380V, 450V) and colored according to their feeding. Different execution styles (wall mounting, panel mounting, angled, straight, with box) are available like high protection degrees (IP 44 and IP 67) and different nominal currents (16A, 32A, 63A). All TEM CEE plugs and sockets are manufactured in compliance with the national and international regulations in force. With good quality component parts guarantee the safety.



IP 44	Amp.	V	h	Ref. Code		
						gr.
2P+E	16	110-130 ●	4	3416150	12	120
	16	200-250 ●	6	316150	12	118.5
	32	200-250 ●	6	332150	12	235
3P+E	16	380-415 ●	6	416150	12	161
	16	380-415 ●	6	416120	12	183.4
	32	380-415 ●	6	432150	12	242
	63	380-415 ●	6	463150	6	537
3P+N+E	16	380-415 ●	6	516150	12	153
	32	380-415 ●	6	532150	12	263
	63	380-415 ●	6	563150	6	586

	Amp.	Ref. Code	A	B	C	D	E	F	G	H	I
2P+E	16	3416150	79.5	79.5	60	60	72	52.5	4.5	65	65
	16	316150	79.5	79.5	60	60	72	52.5	4.5	65	65
	32	332150	92	100.5	75	85	109	61	6	84	84
3P+E	16	416150	79.5	79.5	57.5	57.5	90	58	5	70	70
	16	416120	92	102	75	85	99.5	58	6	84	84
	32	432150	92	102	75	85	99.5	58	6	84	84
	63	463150	95	110	80	95	139	71	5	95	84
3P+N+E	16	516150	79.5	79.5	60	60	70.5	48	4.5	57	57
	32	532150	92	101	75	85	105	61	6	84	84
	63	563150	95	110	80	95	139	71	5	95	84

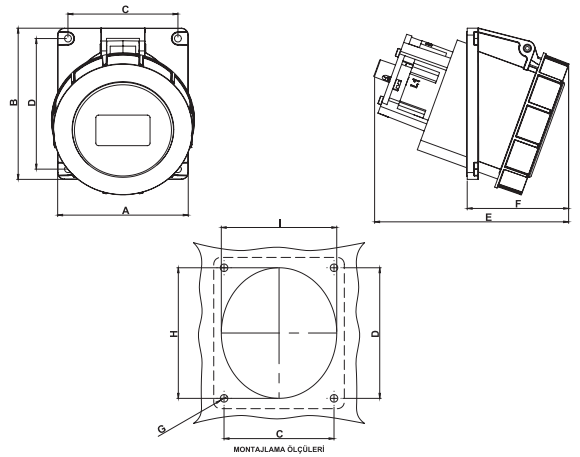
KİLİTLİ KAPAKLI PANO PRİZİ

panel mounting socket with locked cover

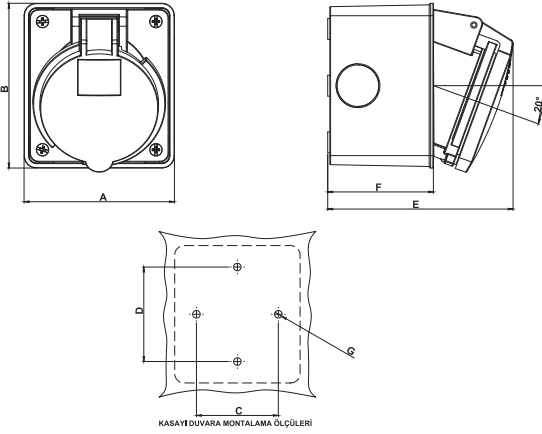
TEM®



IP 67						
	Amp.	V	h	Ref. Code		gr.
2P+E	32	200-250 ●	6	332151	12	248
3P+E	16	380-415 ●	6	416151	12	206
	32	380-415 ●	6	432151	12	271
	63	380-415 ●	6	463151	6	572
3P+N+E	16	380-415 ●	6	516151	12	181
	32	380-415 ●	6	532151	12	286
	63	380-415 ●	6	563151	6	627.5



	Amp.	Ref. Code	A	B	C	D	E	F	G	H	I
2P+E	32	332151	92	101	75	85	108	60	6	84	84
3P+E	16	416151	79.5	79.5	57.5	57.5	87	57	5	70	70
	32	432151	92	102	75	85	100.5	60	6	84	84
	63	463151	95	110	80	95	142	74	5	95	84
3P+N+E	16	516151	79.5	79.5	60	60	72.5	50	4.5	57	57
	32	532151	92	101	75	85	103	60	6	84	84
	63	563151	95	110	80	95	142	74	5	95	84



IP 44	Amp.	V	h	Ref. Code		
						gr.
2P+E	16	110-130 ●	4	3416100	12	180
	16	200-250 ●	6	316100	12	181
	32	200-250 ●	6	332100	6	344
3P+E	16	380-415 ●	6	416100	12	221
	32	380-415 ●	6	432100	6	357
3P+N+E	16	380-415 ●	6	516100	12	220
	32	380-415 ●	6	532100	6	371

	Amp.	Ref. Code	A	B	C	D	E	F	G
2P+E	16	3416100	86	86	55	55	94	45	6
	16	316100	86	86	55	55	94	45	6
	32	332100	99.5	109	64	75	122.5	70	6
3P+E	16	416100	86	86	55	55	99	45	6
	32	432100	99.5	109	65	75	121	70	6
3P+N+E	16	516100	86	86	55	55	90.5	45	6
	32	532100	99.5	109	65	75	122.5	70	6

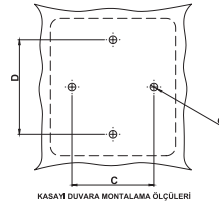
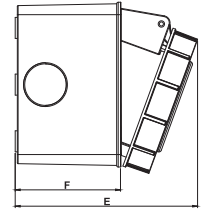
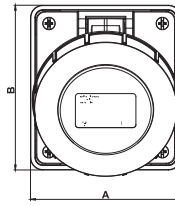
DİK KASALI KİLİTLİ KAPAKLI DUVAR PRİZİ

wall mounting socket with straight box and locked cover

TEM®



IP 67	Amp.	V	h	Ref. Code		
						gr.
2P+E	32	200-250 ●	6	332101	6	368
3P+E	16	380-415 ●	6	416101	6	321
	32	380-415 ●	6	432101	6	390
3P+N+E	16	380-415 ●	6	516101	12	250
	32	380-415 ●	6	532101	6	410



	Amp.	Ref. Code	A	B	C	D	E	F	G
2P+E	32	332101	99.5	109	64	75	122	70	6
3P+E	16	416101	86	86	55	55	120	45	6
	32	432101	99.5	109	65	75	122	70	6
3P+N+E	16	516101	86	86	55	55	92.5	45	6
	32	532101	99.5	109	65	75	120	70	6