

OLYMPUS[®]

Your Vision, Our Future

Biological Microscope

CX23

Bringing Reliability into the Classroom

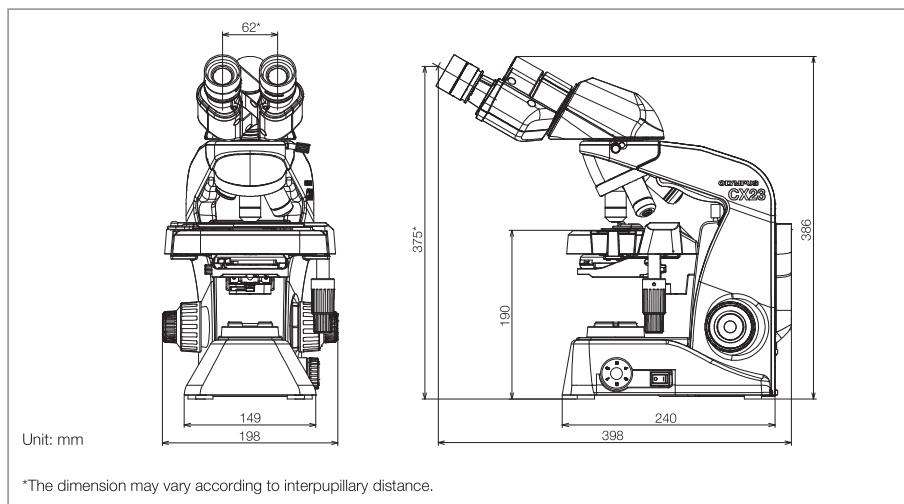
NEW



CX23 SPECIFICATIONS

Model	CX23LEDRF (S1/S2)
Body	Aluminum die-casting metal frame, Protective covering
Optical System	Infinity optical system
Illumination System	Built-in transmitted illumination system, LED Power Consumption 0.5 W (nominal values)
Focusing	Stage height movement (coarse movement stroke: 15 mm), coarse adjustment limit stopper, Torque adjustment for coarse adjustment knob, Fine focus knob (minimum adjustment gradations: 2.5 μm)
Revolving Nosepiece	Fixed quadruple nosepiece
Stage	Wire movement mechanical fixed stage Traveling range: 76 mm (X) x 30 mm (Y), Specimen holder, Specimen position scale
Observation Tube	30° inclined binocular tube Interpupillary distance adjustment range: 48 – 75 mm, Eyepoint adjustment: 370.0 – 432.9 mm
Objectives	Plan achromat, anti-fungus 4x NA: 0.10 W.D.: 27.8 mm 10x NA: 0.25 W.D.: 8.0 mm 40x NA: 0.65 W.D.: 0.6 mm 100xOil NA: 1.25 W.D.: 0.13 mm (CX23LEDRFS1 only)
Eyepiece (10x)	Field Number (FN): 20 (anti-fungus)
Optional Accessories	Reflection mirror (CH20-MM), 15x eyepiece (WHSZ15X-H: FN 12, anti-fungus), Dedicated wooden case, Eyepiece micrometer, Darkfield stop (CH2-DS+CH2-FH)
Weight	Approx. 5.9 kg
Rated Voltage/Electric Current	AC 100–240 V 50/60 Hz 0.4 A
Power Consumption	Less than 2 W

DIMENSIONS



Dedicated wooden case (optional)

Specimen courtesy of :
 JAPANESE FOUNDATION FOR CANCER RESEARCH
 Cancer Institute, Cancer Institute Hospital
 Department of Pathology
 Futoshi Akiyama, M.D., Ph.D.
 Yuichi Ishikawa, M.D., Ph.D.

- OLYMPUS CORPORATION is ISO14001 certified.
- OLYMPUS CORPORATION is FM553994/ISO9001 certified.
- OLYMPUS CORPORATION is MD540624/ISO13485 certified.

• All company and product names are registered trademarks and/or trademarks of their respective owners.
 • Specifications and appearances are subject to change without any notice or obligation on the part of the manufacturer.

www.olympus-lifescience.com

OLYMPUS[®]

For enquiries - contact
www.olympus-lifescience.com/contact-us

OLYMPUS CORPORATION
 Shinjuku Monolith, 2-3-1 Nishi-Shinjuku, Shinjuku-ku, Tokyo 163-0914, Japan
OLYMPUS EUROPA SE & CO. KG
 Wendenstrasse 14-18, 20097 Hamburg, Germany

OLYMPUS SCIENTIFIC SOLUTIONS AMERICAS CORP.
 48 Woerd Avenue, Waltham, MA 02453, U.S.A.

OLYMPUS SINGAPORE PTE LTD.
 491B River Valley Road, #12-01/04 Valley Point Office Tower, Singapore 248373

OLYMPUS AUSTRALIA PTY. LTD.
 3 Acacia Place, Notting Hill VIC 3168, Australia

OLYMPUS LATIN AMERICA, INC.
 5301 Blue Lagoon Drive, Suite 290 Miami, FL 33126, U.S.A.

OLYMPUS (CHINA) CO., LTD.
 A8F, Ping An International Financial Center, No. 1-3, Xinyuan South Road,
 Chaoyang District, Beijing, 100027 P.R.C.

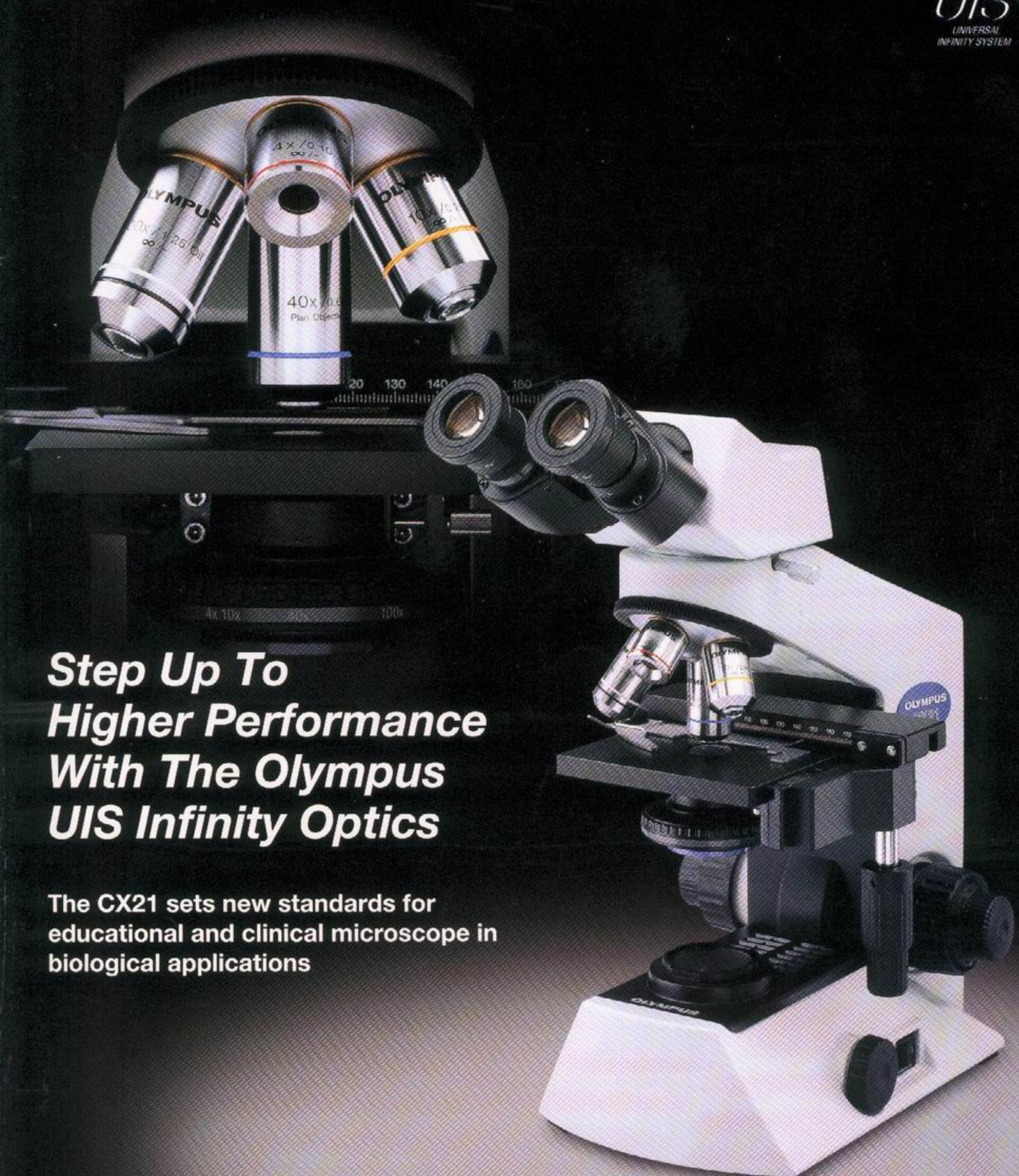
OLYMPUS KOREA CO., LTD.
 8F Olympus Tower, 446 Bongeunsa-ro, Gangnam-gu, Seoul, 135-509 Korea

OLYMPUS[®]

BIOLOGICAL MICROSCOPE

CX21

UIS
UNIVERSAL
INFINITY SYSTEM



***Step Up To
Higher Performance
With The Olympus
UIS Infinity Optics***

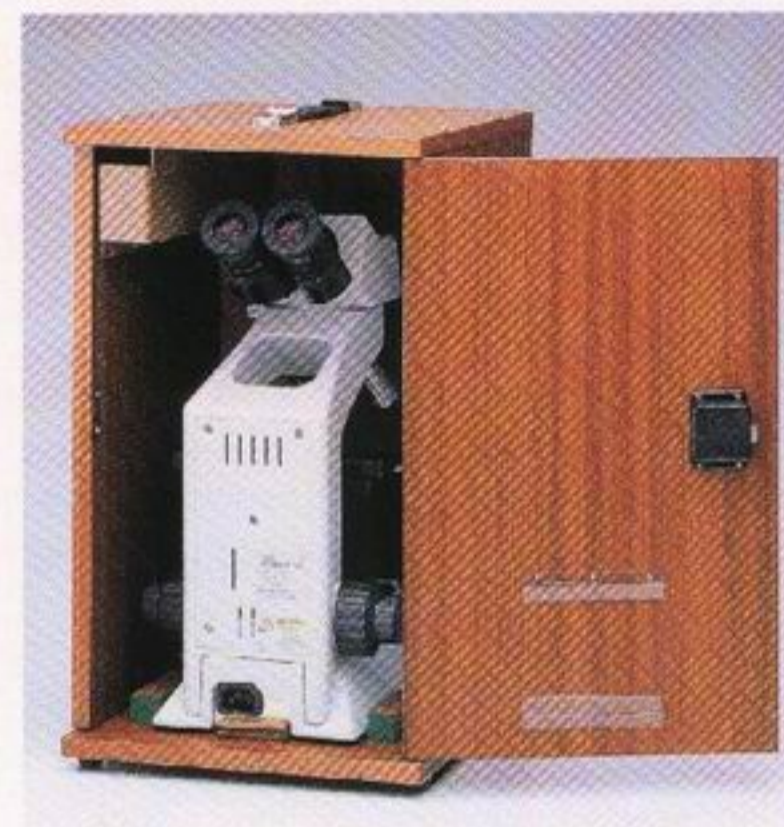
The CX21 sets new standards for educational and clinical microscope in biological applications

Specifications

Item	Specifications
Optical system	UIS (Universal Infinity System) optical system
Illumination System	Built-in transmitted illumination system 6V20W halogen bulb 100-240V 50/60Hz universal voltage
Focusing	Stage height movement (coarse movement stroke 20mm) Fine focus graduation: 2.5µm
Revolving nosepiece	Fixed quadruple nosepiece
Stage	Wire movement mechanical fixed stage: 120X132mm Traveling range: 76mm(X)X30mm(Y) Single specimen holder
Observation tube	30° inclined binocular tube Interpupillary distance adjustment range 48-75mm
Condenser	Abbe type with aperture iris diaphragm N.A.: 1.25
Objective lens	Plan Achromatic objectives (anti-fungus) 4X N.A.: 0.10 W.D.: 22.0mm 10X N.A.: 0.25 W.D.: 10.5mm 40X N.A.: 0.65 W.D.: 0.56mm 100X N.A.: 1.25 W.D.: 0.13mm (option)
Eyepiece (10X)	Field Number (F.N.): 18 (anti-fungus)
Optional accessories	Mirror unit, 15X eyepiece (F.N. 12, anti-fungus), cord rest, wooden storage box, filar micrometer, wire pointer, filter holder, darkfield stop

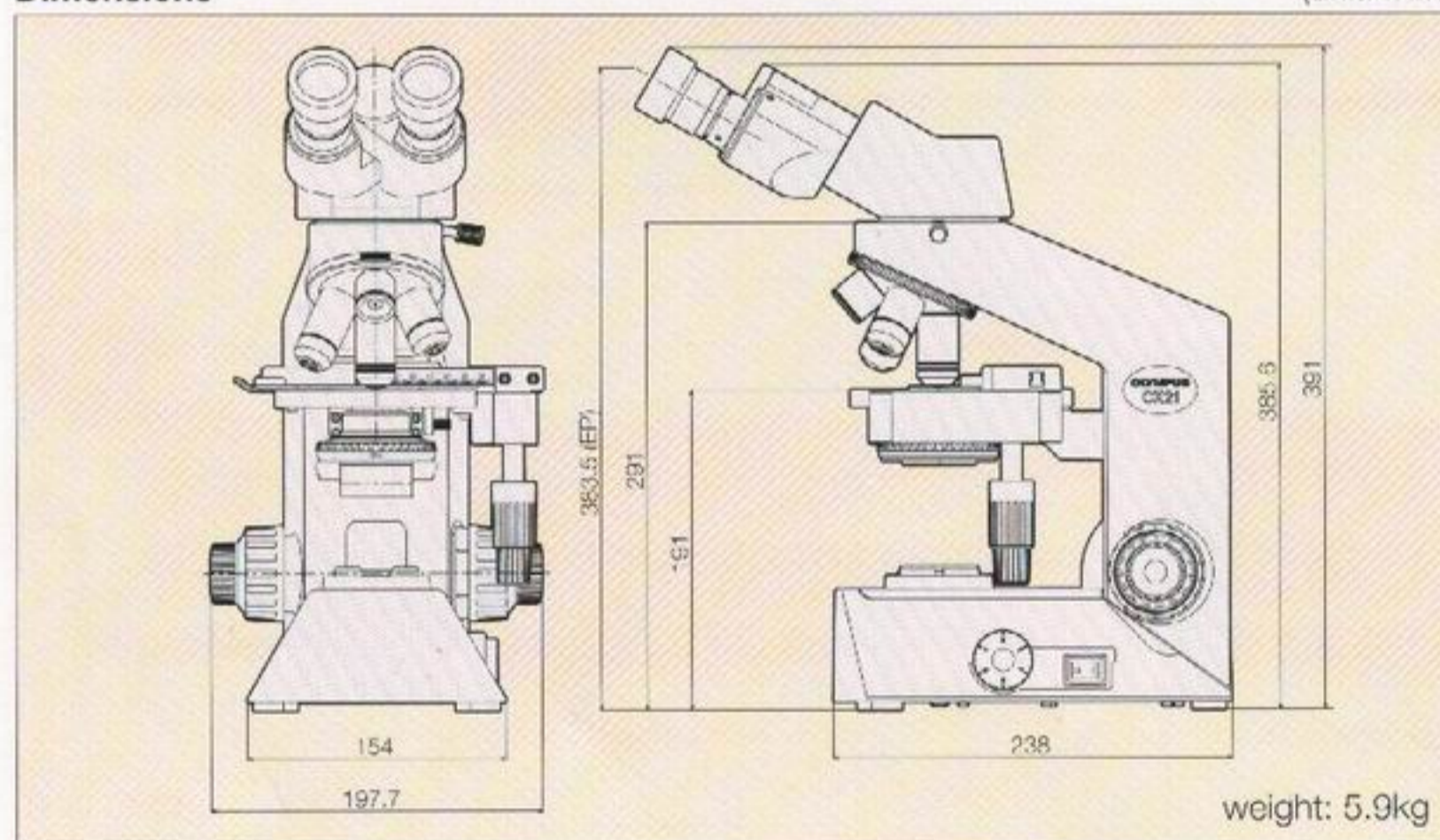
Wooden storage box

A wooden storage box is available as an optional accessory. It is convenient, sturdy and includes a handle for easy carrying. Dimensions: 264(W) X 305(D) X 474(H)mm



Dimensions

(unit: mm)



Safety & Electromagnetic radiation standards

The CX21 meets or exceeds UL/IEC/CE standards for safety and for electromagnetic radiation.

Specifications are subject to change without any obligation on the part of the manufacturer.

OLYMPUS

OLYMPUS OPTICAL CO., LTD.
San-Ei building, 22-2, Nishi Shinjuku 1-chome, Shinjuku-ku, Tokyo, Japan
OLYMPUS OPTICAL CO. (EUROPA) GMBH.
Postfach 10 49 08, 20034, Hamburg, Germany
OLYMPUS AMERICA INC.
2 Corporate Center Drive, Melville, NY 11747-3157, U.S.A.
OLYMPUS SINGAPORE PTE LTD.
491B River Valley Road, #12-01/04 Valley Point Office Tower, Singapore 248373
OLYMPUS OPTICAL CO. (U.K.) LTD.
2-8 Honduras Street, London EC1Y 0TX, United Kingdom
OLYMPUS AUSTRALIA PTY. LTD.
31 Gilby Road, Mt. Waverley, VIC 3149, Melbourne, Australia
OLYMPUS LATIN AMERICA, INC.
6100 Blue Lagoon Drive, Suite 390 Miami, FL 33126-2087, U.S.A.



OLYMPUS BUSINESS AREAS



www.olympus.com