

Modular Valves - Monoflange Valves

Monoflange valves are integrally forged, one-piece double block and bleed assemblies for primary isolation of pressure take-offs. Where the valve is directly mounted to the vessel or process pipe. Instruments may be directly mounted to the valve outlet or alternatively Remotely with gauge lines/ impulse work.

Applications

- Isolation
- Block and Bleed
- Double Block and Bleed
- Pressure Measurement
- Chemical Injection
- Level Measurement
- Flow Measurement



Standard Features

- ANSI B16.5 Flanged Inlet connections 1/2" to 2" sizes.
- Class150 rated to Class2500 rated.
- API flanged Inlet connections sizes to 2 1/16".
- 1/2 NPT threaded female outlet to ANSI/ASME B1.20.1.
- 1/2 NPT threaded female vent connection to ANSI/ASME B.1.20.1.
- Material thickness to ANSI B16.34.
- Firesafe to API 607, BS6755 Part2.

Standard Pressure Testing

- To BS6755 Part1.

Standard Material Traceability

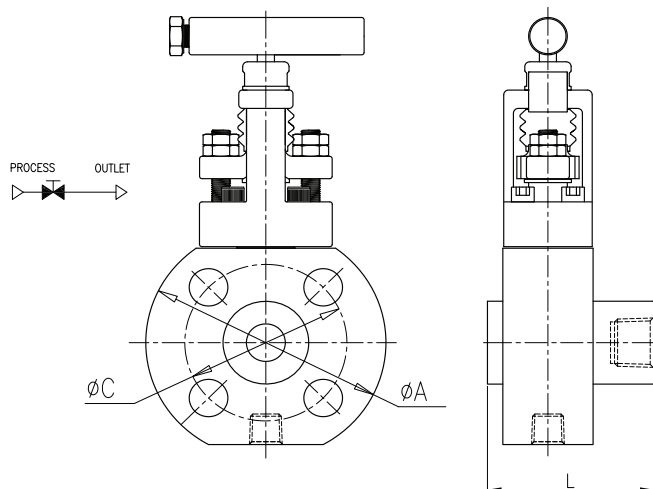
- To EN 10204 3.1B(Body only).

OS&Y Needle Type and Needle Type Globe Valve Packing Materials

- Standard valves are offered with Graphite. PTFE is also available as an option.

Modular Valves - Monoflange Valves

SMNF1P

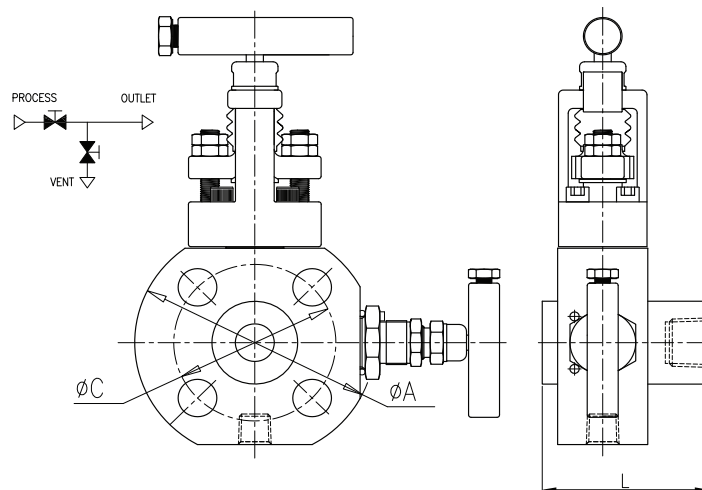


Dimensions & Weights

Size (inch)	Rating lb	Dimensions(mm)				Weight (kg)
		L(RF)	L(RTJ)	A	C	
1/2	150	63.50	-	98.55	60.5	2.0
1/2	300	63.50	67.56	98.55	66.5	2.0
1/2	600	68.35	67.56	98.55	66.5	2.0
1/2	900/1,500	68.35	68.35	133.35	82.6	3.4
1/2	2,500	68.35	68.35	133.35	88.9	3.4
3/4	150	63.50	-	98.55	69.9	2.0
3/4	300	63.50	68.35	133.35	82.6	3.4
3/4	600	68.35	68.35	133.35	82.6	3.4
3/4	900/1,500	68.35	68.35	133.35	88.9	3.4
3/4	2,500	73.35	73.35	158.75	95.3	5.5
1	150	63.50	68.35	133.35	79.2	2.4
1	300	63.50	68.35	133.35	88.9	3.4
1	600	68.52	68.35	133.35	88.9	3.4
1	900/1,500	73.35	73.35	158.75	101.6	5.5
1	2,500	73.35	73.35	158.75	108.0	5.5
1 1/2	150	63.35	68.35	127.00	98.6	3.2
1 1/2	300	68.52	68.52	158.75	114.3	5.5
1 1/2	600	73.35	73.35	158.75	114.3	5.5
1 1/2	900/1,500	73.35	73.35	177.80	124.0	7.8
1 1/2	2,500	82.15	83.72	235.00	146.1	11.4
2	150	68.52	73.35	158.75	120.7	5.5
2	300	68.52	74.92	177.80	127.0	7.8
2	600	73.35	74.92	177.80	127.0	7.8
2	900/1,500	82.15	83.72	235.00	165.1	11.0

Modular Valves - Monoflange Valves

SMNF2P

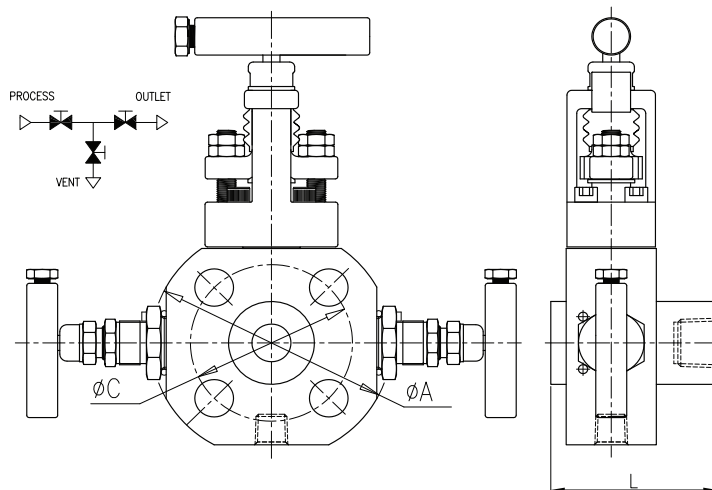


Dimensions & Weights

Size (inch)	Rating lb	Dimensions(mm)				Weight (kg)
		L(RF)	L(RTJ)	A	C	
1/2	150	63.50	-	98.55	60.5	2.0
1/2	300	63.50	67.56	98.55	66.5	2.0
1/2	600	68.35	67.56	98.55	66.5	2.0
1/2	900/1,500	68.35	68.35	133.35	82.6	3.4
1/2	2,500	68.35	68.35	133.35	88.9	3.4
3/4	150	63.50	-	98.55	69.9	2.0
3/4	300	63.50	68.35	133.35	82.6	3.4
3/4	600	68.35	68.35	133.35	82.6	3.4
3/4	900/1,500	68.35	68.35	133.35	88.9	3.4
3/4	2,500	73.35	73.35	158.75	95.3	5.5
1	150	63.50	68.35	133.35	79.2	2.4
1	300	63.50	68.35	133.35	88.9	3.4
1	600	68.52	68.35	133.35	88.9	3.4
1	900/1,500	73.35	73.35	158.75	101.6	5.5
1	2,500	73.35	73.35	158.75	108.0	5.5
1 1/2	150	63.35	68.35	127.00	98.6	3.2
1 1/2	300	68.52	68.52	158.75	114.3	5.5
1 1/2	600	73.35	73.35	158.75	114.3	5.5
1 1/2	900/1,500	73.35	73.35	177.80	124.0	7.8
1 1/2	2,500	82.15	83.72	235.00	146.1	11.4
2	150	68.52	73.35	158.75	120.7	5.5
2	300	68.52	74.92	177.80	127.0	7.8
2	600	73.35	74.92	177.80	127.0	7.8
2	900/1,500	82.15	83.72	235.00	165.1	11.0

Modular Valves - Monoflange Valves

SMNF3P

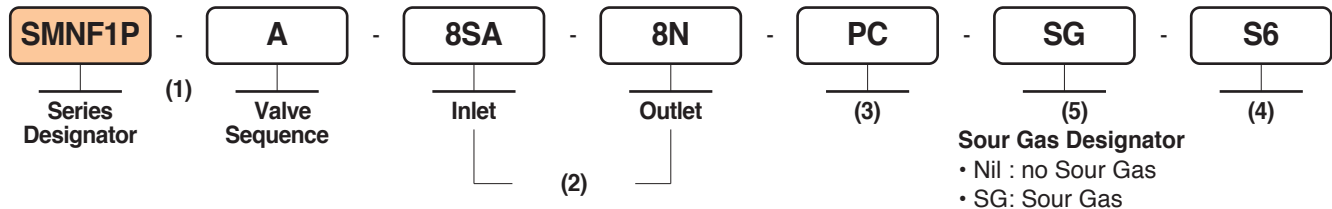


Dimensions & Weights

Size (inch)	Rating lb	Dimensions(mm)				Weight (kg)
		L(RF)	L(RTJ)	A	C	
1/2	150	63.50	-	98.55	60.5	2.0
1/2	300	63.50	67.56	98.55	66.5	2.0
1/2	600	68.35	67.56	98.55	66.5	2.0
1/2	900/1,500	68.35	68.35	133.35	82.6	3.4
1/2	2,500	68.35	68.35	133.35	88.9	3.4
3/4	150	63.50	-	98.55	69.9	2.0
3/4	300	63.50	68.35	133.35	82.6	3.4
3/4	600	68.35	68.35	133.35	82.6	3.4
3/4	900/1,500	68.35	68.35	133.35	88.9	3.4
3/4	2,500	73.35	73.35	158.75	95.3	5.5
1	150	63.50	68.35	133.35	79.2	2.4
1	300	63.50	68.35	133.35	88.9	3.4
1	600	68.52	68.35	133.35	88.9	3.4
1	900/1,500	73.35	73.35	158.75	101.6	5.5
1	2,500	73.35	73.35	158.75	108.0	5.5
1 1/2	150	63.35	68.35	127.00	98.6	3.2
1 1/2	300	68.52	68.52	158.75	114.3	5.5
1 1/2	600	73.35	73.35	158.75	114.3	5.5
1 1/2	900/1,500	73.35	73.35	177.80	124.0	7.8
1 1/2	2,500	82.15	83.72	235.00	146.1	11.4
2	150	68.52	73.35	158.75	120.7	5.5
2	300	68.52	74.92	177.80	127.0	7.8
2	600	73.35	74.92	177.80	127.0	7.8
2	900/1,500	82.15	83.72	235.00	165.1	11.0

Modular Valves - Monoflange Valves

Ordering Information



(1) Valve Series

Series		Primary Isolate	Secondary Isolate	Bleed	Bore Size		
Identify	Valve Sequence				Ball	Needle	
MONOFLANGE VALVES (SMNF)	1P	A	OS & Y	-	-	5.0	
		B	NEEDLE	-	-	5.0	
	2P	A	OS & Y	-	NEEDLE	-	5.0
		B	NEEDLE	-	NEEDLE	-	5.0
	3P	A	NEEDLE	NEEDLE	NEEDLE	-	5.0
		B	NEEDLE	OS & Y	NEEDLE	-	5.0
		C	OS & Y	NEEDLE	NEEDLE	-	5.0
		D	OS & Y	OS & Y	NEEDLE	-	5.0

(2) Inlet & Outlet

Inch	Identify	Flange				Threads		Weld End	
		Description	Identify	Class	Identify	Type	Identify	Type	Identify
1/4	4	Spiral Finish -Raised Faced	S	150LB (ANSI B16.5)	A	NPT	N	BUTT WELD	BW
3/8	6	Smooth Finish -Raised Faced	M	300LB (ANSI B16.5)	B	BSPT	R	SOCKET WELD	SW
1/2	8	Stock Finish -Raised Faced	G	600LB (ANSI B16.5)	C				
3/4	12	Ring Type Joint -RTJ	J	900LB (ANSI B16.5)	D				
1	16	Spiral Finish -Flat Faced	H	1,500LB (ANSI B16.5)	E				
1 1/2	24	Smooth Finish -Flat Faced	K	2,500LB (ANSI B16.5)	F				
2	32	Stock Finish -Flat Faced	R	-	-				

(3) Needle Valve Packing

Needle Valve Packing	
Packing Material	Identify
PTFE	TE
Graphite	GF

(4) Body Material

Trim Material	
Material	Identify
ASTM A182 F316	S6
ASTM A182 F51	F51
UNS NO 4400	A400
ASTM A105	CS
ASTM A350 LF2	LF2

(5) Option

- Materials are selected in accordance with NACE standards.
- To order, add - SG as a suffix to the ordering number. Example : SMNF1P-A-8SA-8N-GF-SG-S6