



More information on the website
radwag.com/en/info,w1,NTZ

PS 200/2000.R2 Precision Balance



PS 200/2000.R2 Precision Balance

Functions



Autotest



Dosing



Percent Weighing



Totalizing



Parts counting



Peak hold



Newton unit
measurement



Statistics



Checkweighing



GLP Procedures



Animal weighing



Density determination

Datasheet

	PS 200/2000.R2 Precision Balance
Metrological parameters	
Maximum capacity [Max]	200 / 2000 g
Minimum load	20 mg
Readability [d]	0,001 / 0,01 g
Verification scale interval [e]	0,01/0,1 g
Tare range	-2000 g
Repeatability (Max)	0,001 / 0,01 g
Repeatability (5% Max)	0,0005 / 0,005 g
Linearity	±0,002 / 0,02 g
Stabilization time	2 / 1,5 s
Adjustment	internal (automatic)
OIML Class	II
Physical parameters	
Levelling system	manual
Display	LCD (backlit)
Delivery components	Balance, weighing pan, weighing pan shield, grounding foot ×1, foot ×3, power supply.
Weighing pan dimensions	128×128 mm
Packaging dimensions	470×380×336 mm
Net weight	3,9 kg
Gross weight	5,5 kg
Communication interface	
Communication interface	2×RS232 ¹ , USB-A, USB-B, Wi-Fi (option)
Electrical parameters	
Power supply	Adapter: 100 or 240V AC 50/60Hz 0,6A; 12V DC 1,2A Balance: 12 – 15V DC 0,4A max
Environmental conditions	
Operating temperature	+10 ÷ +40 °C

Repeatability is expressed as a standard deviation from 10 weighing cycles. Stabilization time depends on the ambient conditions and the dynamics of weighing pan loading; specified for FAST profile. 1 Barcode scanners, available as weighing instrument accessory, communicate with the instrument via RS232 interface exclusively.

* Wi-Fi® is a registered trademark of Wi-Fi® Alliance.



Accessories

Balance Storage Case
Barcode scanners
Cigarette lighter receptacle power supply cables
USB cable (scale - printer)
Receipt Printer
Density determination KIT
Anti-Draft Chamber for Balances with a 128×128 mm Weighing Pan
Antivibration Tables

Displays
AP2-1 Current Loop Unit
RPANEL BOX
Protective cover for balances
RS 232, RS 485 cables
Under-Pan Weighing Rack
RS 232 cables (scale - printer)

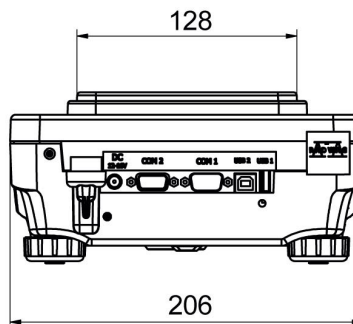
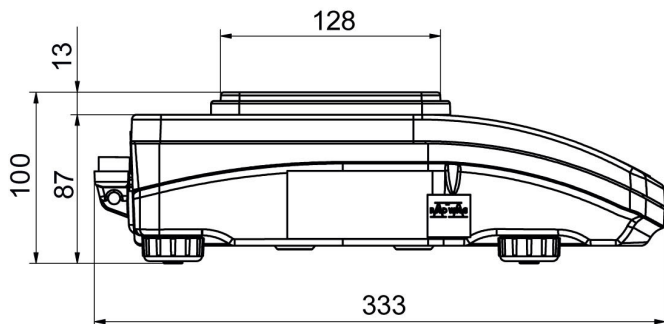
Software

RAD-KEY

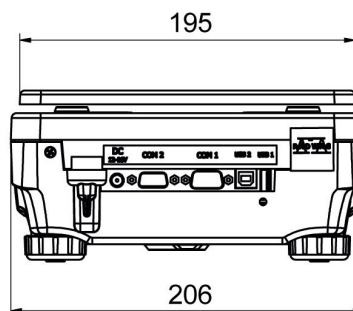
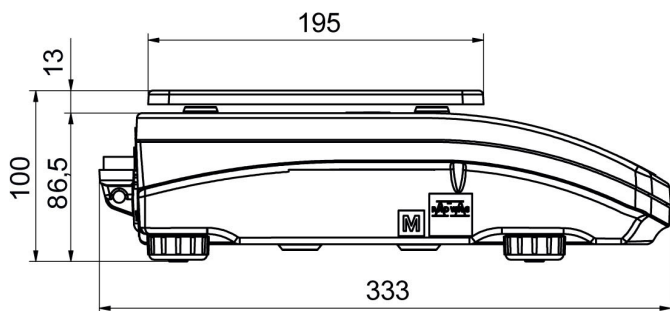
LabVIEW Driver

Device dimensions

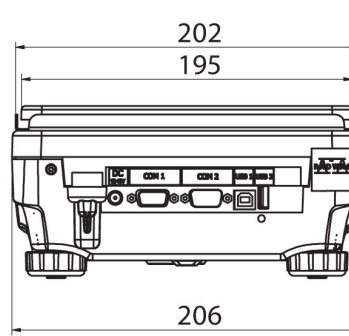
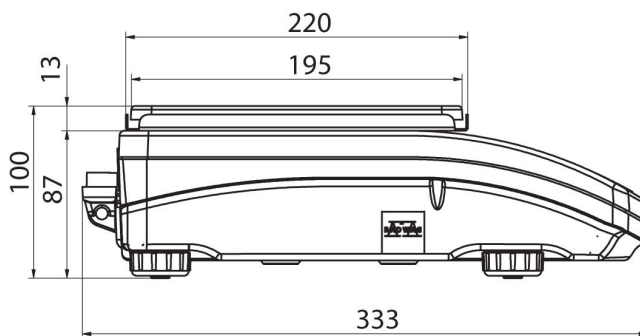
PS 200/2000.R2 Precision Balance



PS R, d = 1 mg



PS R, d = 10 mg



PS R.M, d = 10 mg