



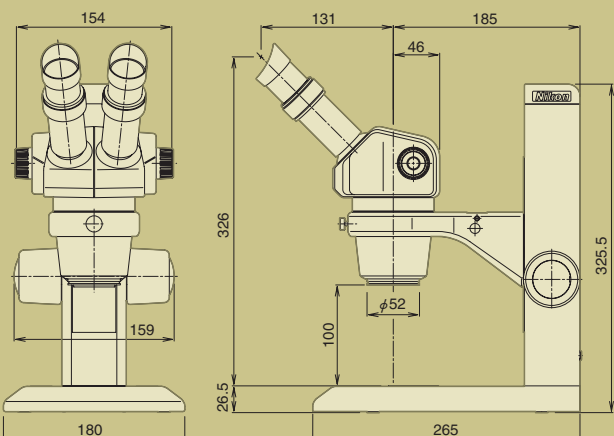
**Stereoscopic Zoom Microscopes**  
**SMZ445**  
**SMZ460**

**Stereoscopic zoom microscope designed for excellent cost performance**

The SMZ445 and SMZ460 stereoscopic zoom microscopes combine ease-of-use with high optical performance. Both models feature a compact design with light weight, porro prism optics and ESD protection to prevent electrostatic damage to samples. The SMZ445 incorporates a 45 degree inclination angle; whereby, the SMZ460 incorporates a 60 degree inclination angle making it ideal for OEM applications.

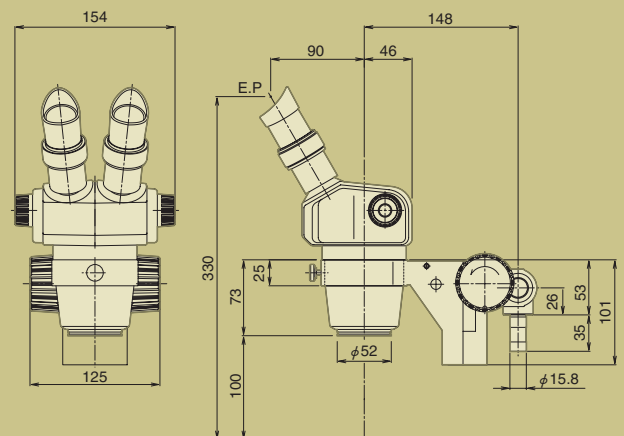
**DIMENSIONS SMZ445**

Shown with a 10X eyepiece and Plain Stand



**DIMENSIONS SMZ460**

Shown with a 10X eyepiece and Focus Mount B



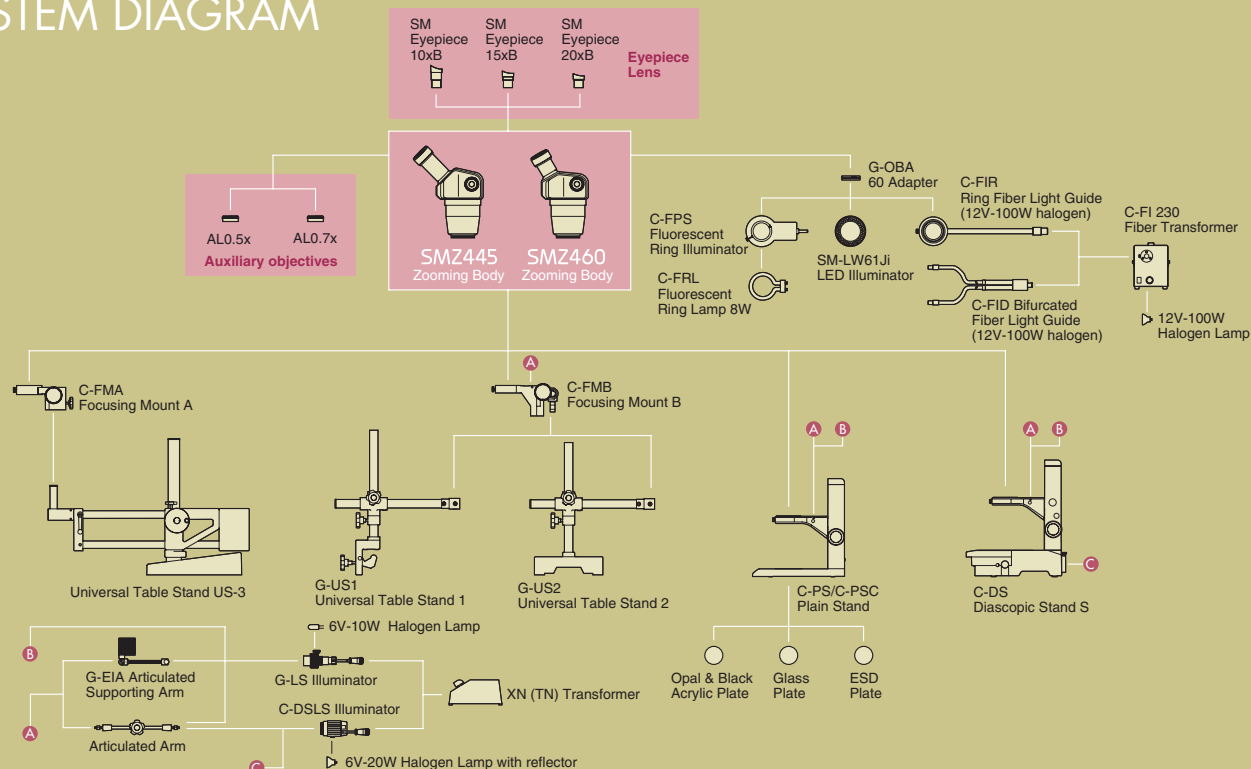
# SPECIFICATIONS

	SMZ445	SMZ460
<b>Type</b>	Greenough zooming optical system with eyepiece correction mechanism on both eyepieces	
<b>Total magnification</b>	8x to 35x (4x to 70x by replacing eyepiece and/or auxiliary objective lens)	7x to 30x (3.5x to 60x by replacing eyepiece and/or auxiliary objective lens)
<b>Eyepiece</b>	SM 10xB eyepieces (F.N. 21), SM 15xB eyepieces (F.N.14), SM 20xB eyepieces (F.N. 12)	
<b>Zoom range</b>	0.8x to 3.5x (Zoom ratio: 4.4:1)	0.7x to 3x (Zoom ratio: 4.3:1)
<b>Auxiliary objective lens</b>	AL0.5x, 0.7x (optional)	
<b>Working distance</b>	100mm (standard configuration), 127.5mm (AL0.7x), 181mm (AL0.5x)	
<b>Depression angle</b>	45°	60°
<b>Optical system</b>	True erect image, 12° inner bevel, independent adjustment of right and left eyepieces, and 54 to 75mm interpupillary adjustment	
<b>Weight (main unit only)</b>	Approx. 1.0kg	



**NEW - SMZ445/SMZ645 Eyepieces.**  
SM 10xB, SM 15xB, SM 20xB.  
Eyecups available for SM 10xB eyepieces.

# SYSTEM DIAGRAM



Specifications and equipment are subject to change without any notice or obligation on the part of the manufacturer. April 2007 ©2007 NIKON CORPORATION

The products detailed in the brochure are controlled by the Japanese Foreign Exchange and Foreign Trade Law and the International Export Control Regime. If there is a possibility that they may be utilized for the development of weapons of mass destruction, etc., they shall not be exported without authorization from the government.



**WARNING**

TO ENSURE CORRECT USAGE, READ THE CORRESPONDING MANUALS CAREFULLY BEFORE USING THE EQUIPMENT.



**NIKON CORPORATION**  
Parale Mitsui Bldg., 8, Higashida-cho, Kawasaki-ku, Kawasaki,  
Kanagawa 210-0005, Japan  
phone: +81-44-223-2175 fax: +81-44-223-2182  
<http://www.nikon-instruments.jp/eng/>



ISO 14001 Certified  
NIKON INSTRUMENT CO., LTD.



ISO 9001 Certified  
NIKON CORPORATION  
Instruments Company



ISO 14001 Certified  
NIKON CORPORATION  
Yokohama Plant

## NIKON INSTRUMENTS INC.

1300 Walt Whitman Road, Melville, N.Y. 11747-3064, U.S.A.  
phone: +1-631-547-8500; +1-800-52-NIKON (within the U.S.A. only)  
fax: +1-631-547-0306

<http://www.nikoninstruments.com/>

## NIKON INSTRUMENTS EUROPE B.V.

P.O. Box 222, 1170 AE Badhoevedorp, The Netherlands  
phone: +31-20-44-96-222 fax: +31-20-44-96-298

<http://www.nikon-instruments.com/>

## NIKON INSTRUMENTS (SHANGHAI) CO., LTD.

CHINA phone: +86-21-5836-0050 fax: +86-21-5836-0030  
(Beijing office) phone: +86-10-5869-2255 fax: +86-10-5869-2277  
(Guangzhou office) phone: +86-20-3882-0552 fax: +86-20-3882-0580

## NIKON SINGAPORE PTE LTD

SINGAPORE phone: +65-6559-3618 fax: +65-6559-3668

## NIKON MALAYSIA SDN. BHD.

MALAYSIA phone: +60-3-78763887 fax: +60-3-78763387

## NIKON INSTRUMENTS KOREA CO., LTD.

KOREA phone: +82-2-2186-8410 fax: +82-2-555-4415

## NIKON CANADA INC.

CANADA phone: +1-905-625-9910 fax: +1-905-625-0103

## NIKON FRANCE S.A.S.

FRANCE phone: +33-1-45-16-45-16 fax: +33-1-45-16-00-33

## NIKON GMBH

GERMANY phone: +49-211-9414-0 fax: +49-211-9414-322

## NIKON INSTRUMENTS S.p.A.

ITALY phone: +39-55-3009601 fax: +39-55-300993

## NIKON AG

SWITZERLAND phone: +41-43-277-2860 fax: +41-43-277-2861

## NIKON UK LTD.

UNITED KINGDOM phone: +44-20-8541-4440 fax: +44-20-8541-4584

## NIKON GMBH AUSTRIA

AUSTRIA phone: +43-1-972-6111-00 fax: +43-1-972-6111-40

## NIKON BELUX

BELGIUM phone: +32-2-705-56-65 fax: +32-2-726-66-45

