



More information on the website
radwag.com/en/info,w1,1YD

PM 10.C32 Precision Balance



PM 10.C32 Precision Balance

Functions



Labelling



Plus/Minus Control



Percent Weighing



Totalizing



Parts counting



Newton unit measurement



Statistics



IR sensors



GLP Procedures



Animal weighing



Density determination



Replaceable unit



ALIBI Memory

Datasheet

	PM 10.C32 Precision Balance
Metrological parameters	
Maximum capacity [Max]	10 kg
Minimum load	0,5 g
Preload range	1 kg
Readability [d]	0,01 g
Verification scale interval [e]	0,1 g
Tare range	-10 kg
Minimum weight (USP)	8,2 g
Minimum weight (U=1%,k=2)	0,82 g
Repeatability (Max)	0,01 g
Repeatability (5% Max)	0,004 g
Linearity	±0,03 g
Stabilization time	3 s
Adjustment	internal (automatic)
OIML Class	II
Physical parameters	
Leveling system	manual
Display	5" graphic colour
Weighing pan dimensions	200×185 mm
Packaging dimensions	520×520×280 mm
Net weight	10 kg
Gross weight	12,2 kg
Communication interface	
Communication interface	2×RS232, USB-A, USB-B, Ethernet, Wi-Fi
Electrical parameters	
Power supply	Adapter: 100 or 240V AC 50/60Hz 0,6A; 12V DC 1,2A Balance: 10 – 12V DC 1A max
Environmental conditions	
Operating temperature	+10 ÷ +40 °C

Repeatability is expressed as a standard deviation from 10 weighing cycles. Stabilization time depends on the ambient conditions and the dynamics of weighing pan loading; specified for FAST profile.

* Wi-Fi® is a registered trademark of Wi-Fi® Alliance.



Accessories

Displays
Antivibration Tables
RS 232 cables (scale - printer)
Barcode scanners
Cigarette lighter receptacle power supply cables

Receipt Printer
Protective cover for balances
Stands, wall mounting kits and mounting brackets
AP2-1 Current Loop Unit
RS 232, RS 485 cables

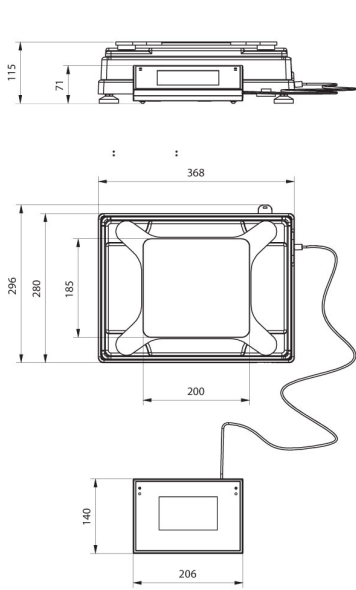
Software

RAD-KEY
R-LAB

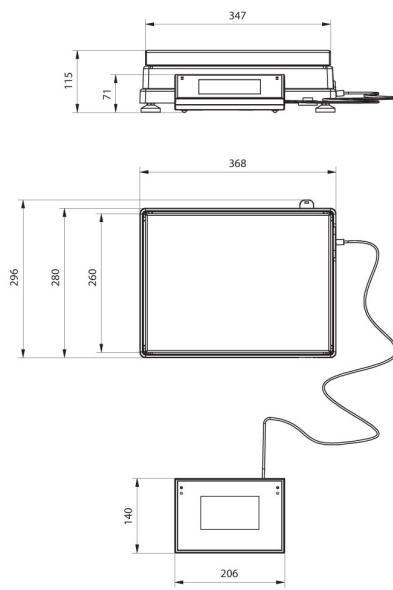
LabVIEW Driver
RADWAG Development Studio

Device dimensions

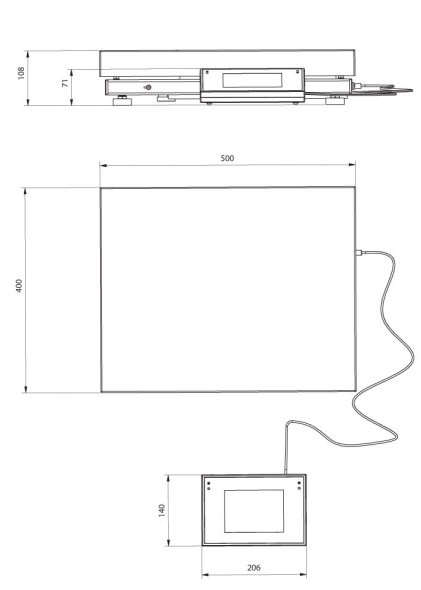
PM 10.C32 Precision Balance



PM C32, d = 0.01 g



PM C32, d = 0.1 g



PM C32: d = 0.5 g, d = 1 g