



KONICA MINOLTA

NEW SPECTROPHOTOMETER CF-300

1

Capable of measuring small target areas

Non-contact measurement

High speed and accuracy



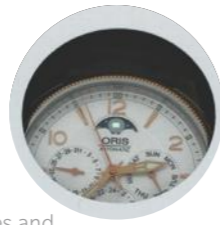
The Standard in Measuring Color & Light

Giving Shape to Ideas

Capable of measuring small target areas

Capable of measuring targets as small as 0.75x1 mm, the CF-300 can be used to measure the color of watch screws, small parts for smartphones and game consoles, etc.

The view pointer makes it easy to identify the measurement area, effectively reducing the likelihood of measurement errors.



<Benefits>

- Measuring colors of small target areas such as watch dial faces and bands, smartphone parts, eyeglass frames, fasteners, buttons, fountain pens, etc.



Non-contact measurement

The CF-300 employs an integrating sphere that allows colorimetric measurements to be conducted at a distance of 1 mm from the target object.

Integrating-sphere-based measurements makes the CF-300 interchangeable with general spectrophotometers.

<Benefits>

- Measuring colors of cosmetics such as lipstick or foundation, paints or other targets that could stain the instrument during contact measurements.



High-speed measurement

Requiring only about 0.1 sec per measurement and capable of continuous measurement at a minimum interval of about 0.2 sec, the CF-300 can perform 5 measurements per second*.

* For high-speed measurement use, the software must be customized to the customer's line conditions.

<Benefits>

- Improving efficiency of quality control via high-speed non-contact measurements on production lines.

Example configurations

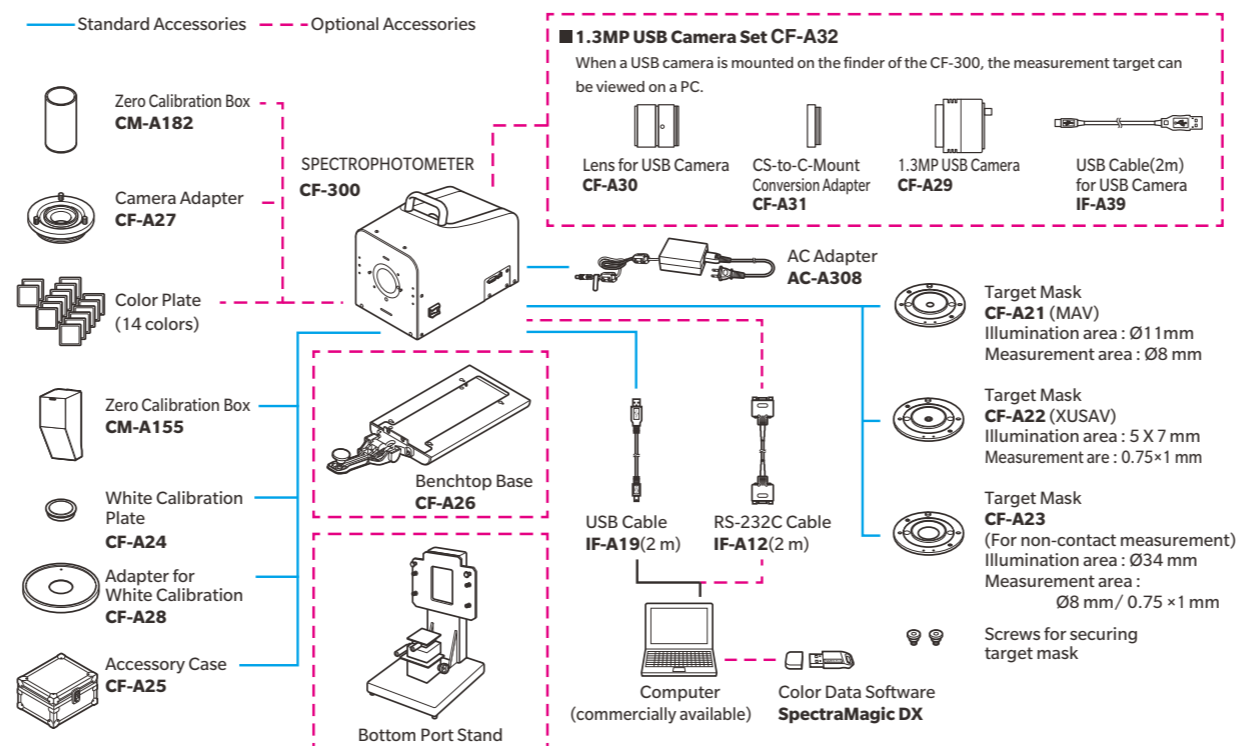


Benchtop Base

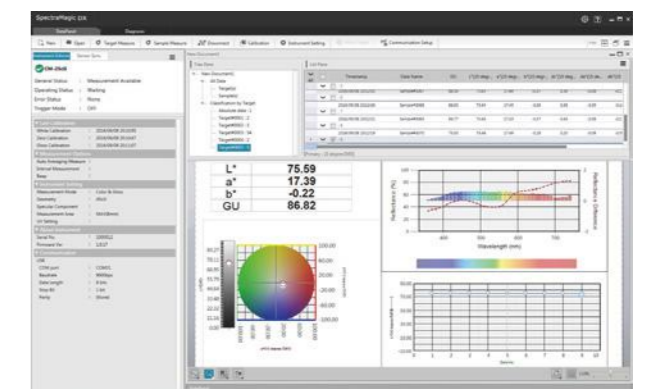


Bottom Port Stand

System Diagram



(Option) Color Data Software SpectraMagic DX Professional Edition (Version 1.2 or later)



The new Color Data Software SpectraMagic DX enables easy management of measurement data, and lets the user configure the screen with objects such as data list, spectral graph, color-difference graph, PASS/FAIL display, etc.

- | | |
|-----------|--|
| OS | : Windows® 7 Pro 32-bit / 64-bit (Windows®7 SP-1 or later)
Windows® 8.1 Pro 32-bit / 64-bit,
Windows® 10 Pro 32-bit / 64-bit |
| CPU | : Intel® Core i5 2.7GHz or higher (recommended) |
| Memory | : At least 2 GB (4 GB or more recommended) |
| Hard disk | : 20 GB of available hard disk space
At least 10 GB of available disk space is required on the system drive (drive where the OS is installed) for database. |
| Display | : Display hardware capable of displaying 1,280 x 768 pixels/16-bit color or better |
| Other | : USB or serial port required for connection to instrument.
USB port required for protection key if used. Not necessary for electronic license. |

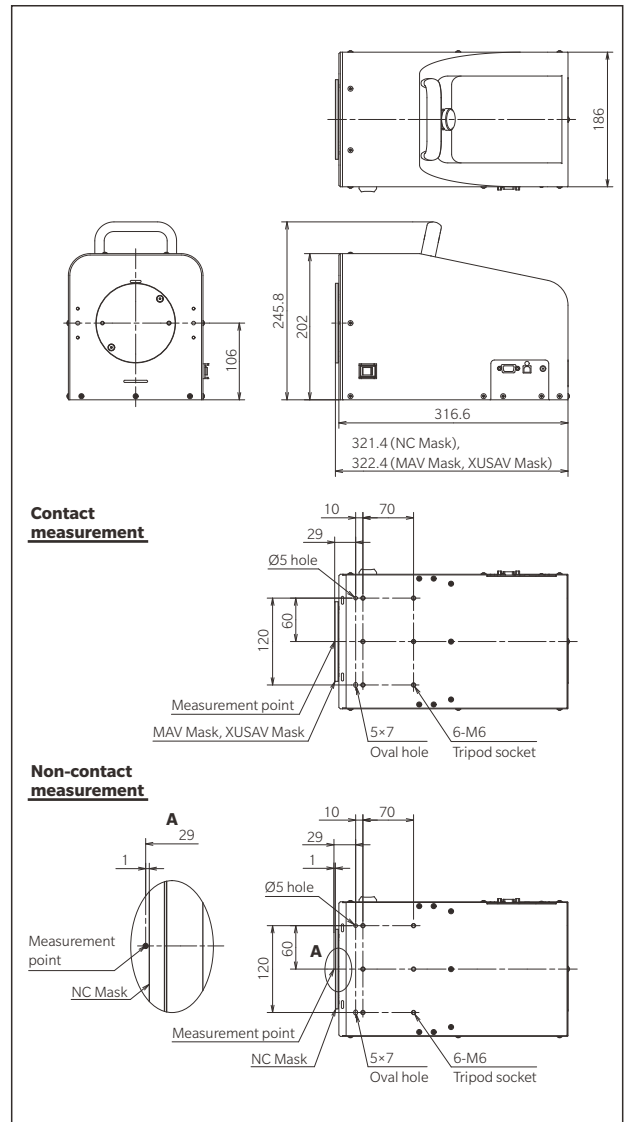
• Windows® is a trademark or registered trademark of Microsoft Corporation in the USA and other countries.
• Intel® Core is a trademark or registered trademark of Intel Corporation in the USA and other countries.

Specifications

Model	Spectrophotometer CF-300					
Illumination/ viewing system	di:8°, de:8° (diffuse illumination: 8° viewing)					
	SCI (specular component included)/SCE (specular component excluded) switchable					
	Conforms to JIS Z 8722 condition c, ISO 7724/1					
Integrating sphere size	ø152 mm					
Detector	Dual 40-element silicon photodiode arrays					
Spectral separation device	Planar diffraction grating					
Wavelength range	400 - 700 nm					
Wavelength pitch	10 nm					
Measurement range	0 - 175%; Output/display resolution: 0.01%					
Light source	High-CRI white LED					
Illumination area	MAV	ø11 mm	XUSAV	5×7 mm	NC (Non-contact measurement)	ø34 mm
		ø8 mm		0.75×1 mm		ø8 mm
Measurement area						
Measurement distance	Contact measurements (MAV/XUSAV target mask): 0.0 mm Non-contact measurements (NC target mask): 1.0 mm					
Measurement time	Approx. 0.1 seconds					
Minimum measurement interval	Approx. 0.2 seconds					
Repeatability	Chromaticity value: Standard deviation within E*ab 0.02 (When MAV/SCI contact measurements of a white calibration plate are taken 30 times at 1-second intervals after white calibration)					
Inter-instrument agreement	Within E*ab 0.15 (Based on MAV/SCI contact measurements of 12 BCRA Series II color tiles compared to values measured with a master body under Konica Minolta standard conditions)					
Interface	USB 2.0, RS-232C					
Power	Dedicated AC adapter (AC 100 to 240 V, 50/60 Hz)					
Operation temperature/humidity range	15 - 30°C, relative humidity is 80% or less (at 30°C) with no condensation					
Storage temperature/humidity range	0 - 40°C, relative humidity is 80% or less (at 35°C) with no condensation					
Size (W×H×D)	Approx. 186 × 202 × 317 mm (Including handle height: 246 mm)					
Weight	Approx. 7.3 kg					
Measurement items*	Various color systems, indices and color-difference formulas are displayed in the windows of the separately sold SpectraMagic DX color management software.					

* For details about measurement items (color systems, indices and color-difference formulas), see the user's guide of the separately sold SpectraMagic DX color management software.

Dimensions (Units:mm)



- KONICA MINOLTA, the Konica Minolta logo and symbol mark, "Giving Shape to Ideas" and SpectraMagic are registered trademarks or trademarks of Konica Minolta, Inc.
- Displays shown are for illustration purpose only.
- The specifications and appearance shown herein are subject to change without notice.

SAFETY PRECAUTIONS

For correct use and for your safety, be sure to read the instruction manual before using the instrument.

- Always connect the instrument to the specified power supply voltage. Improper connection may cause a fire or electric shock.

Certificate No.: JQA-QMA1588 Registration Date: October 26, 2018
KONICA MINOLTA, Inc., Sakai Site
Product design, manufacture/manufacturing management, calibration, and service

Certificate No.: JQA-E-80027 Registration Date: March 12, 1997

KONICA MINOLTA, INC.
Konica Minolta Sensing Americas, Inc.
Konica Minolta Sensing Europe B.V.

Osaka, Japan
 New Jersey, U.S.A.
 European Headquarter /BENELUX
 German Office
 French Office
 UK Office
 Italian Office
 Swiss Office
 Nordic Office
 Polish Office
 Turkish Office
 SE Sales Division
 Beijing Office
 Guangzhou Office
 Chongqing Office
 Qingdao Office
 Wuhan Office

Phone : 888-473-2656 (in USA), 201-236-4300 (outside USA)
 Nieuwegein, Netherlands **Phone** : +31 (0) 30 248-1193
 München, Germany **Phone** : +49 (0) 89 4357 156 0
 Roissy CDG, France **Phone** : +33 (0) 1 80 11 10 70
 Warrington, United Kingdom **Phone** : +44 (0) 1925 467300
 Cinisello Balsamo, Italy **Phone** : +39 02849488.00
 Dietikon, Switzerland **Phone** : +41 (0) 43 322-9800
 Västra Frölunda, Sweden **Phone** : +46 (0) 31 7099464
 Wrocław, Poland **Phone** : +48 (0) 71 73452-11
 Istanbul, Turkey **Phone** : +90 (0) 216-528 56 56
 Shanghai, China **Phone** : +86- (0)21-5489 0202
 Beijing, China **Phone** : +86- (0)10-8522 1551
 Guangdong, China **Phone** : +86- (0)20-3826 4220
 Chongqing, China **Phone** : +86- (0)23-6773 4988
 Shandong, China **Phone** : +86- (0)532-8079 1871
 Hubei, China **Phone** : +86- (0)27-8544 9942
 Singapore **Phone** : +65 6563-5533
 Goyang-si, Korea **Phone** : +82 (0) 2-523-9726

Fax : 201-785-2482
Fax : +31 (0) 30 24 81 211
Fax : +49 (0) 89 4357 156 99
Fax : +33 (0) 1 80 11 10 82
Fax : +44 (0) 1925 711143
Fax : +39 02849488.30
Fax : +41 (0) 43 322-9809
Fax : +48 (0) 71 734 52 10
Fax : +90 (0) 212-253 49 69
Fax : +86- (0)21-5489 0005
Fax : +86- (0)10-8522 1241
Fax : +86- (0)20-3826 4223
Fax : +86- (0)23-6773 4799
Fax : +86- (0)532-8079 1873
Fax : +86- (0)27-8544 9991
Fax : +65 6560-9721
Fax : +82 (0)31-995-6511

Konica Minolta (CHINA) Investment Ltd.
Konica Minolta Sensing Singapore Pte Ltd.
Konica Minolta Sensing Korea Co., Ltd.
 Addresses and telephone/fax numbers are subject to change without notice. For the latest contact information, please refer to the KONICA MINOLTA Worldwide Offices web page :