

Features

HDL - MBUS01IP.431 1 port Bus switch is the gateway between HDL -Bus system and Ethernet, enable bidirectional data transmission between HDL-Bus and Ethernet.

- Bidirectional data exchange between HDL-Bus and Ethernet.
- Support Local Control, P2P control, remote control (Default is local control) Local Network.
- Allow maximum 4 Devices to connect this module for remote control, like Ipad, Iphone, Touchlife, HDL-Bus software and so on.
- Intelligent data exchange , minimize data traffic.

Important Notes

- Bus cable- CAT5E or HDL Bus/KNX Cable, 0.8mm Single Core Copper cable
- Bus Connection - Recommend connection of Bus wire hand by hand
- Make sure that MAC and IP address of all IP devices are unique in same network .
- Need cross Cable for RJ45 port connection

Product Specification

- Working Voltage : DC12-30V
- BUS Power Consumption : 40mA/DC24V
- RJ45 Connection : RJ45- UDP/IP network Interface
- Dimension : 72mm×90mm×66mm
- Installation : Standard 35mm DIN Rail
- CE Certification
- Working Temperature : 0~45°C
- Working Relative Humidity : 20%~90%
- Storage Temperature : -40°C~+55°C
- Storage Relative Humidity : 10%~93%
- Protection : IP20

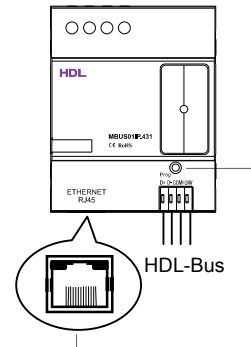
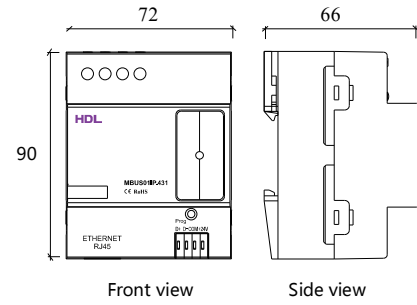


Safety Attention

- Screw down strength is less than 0.4Nm
- Do not make wrong connection on Bus interface, it will damage the Bus interface this module
- Do not get AC240V voltage into Bus wire , it will damage all of devices in system
- Assure a good ventilation circumstances
- Rain, liquid, and aggressive gas are not allowed to close to it

Type

HDL - MBUS01IP.431



Button and Indicator : Flickering in green color when the module is working fine.

Keep pressing for 10S, it turns to red color, the module will be restored into default setting from factory.

Default setting parameters :
 IP : 192.168.10.250
 ROUTER IP : 192.168.10.1
 Port : 6000

Setting of Network Parameter :

1port Bus switch has a default IP-192.168.10.250 and 6000 for port. Please change the user PC IP address into a same IP segment.

Steps for change IP address :

1. Modify the IP address of the User PC into 192.168.10.** (** means any) .
2. Open the "HDL-Bus Pro Set Up tool" , find the device , change the IP address into a same IP segment of the user PC. Finish and save.
3. Change the IP address of the user PC back to previous IP.
4. Power the device off, then the new IP address will be available after power on.

HDL-Bus Definition for cable

| Bus | HDL Bus/KNX Cable |
|-------|-------------------|
| COM | Black |
| DATA- | White |
| DATA+ | Yellow |
| DC24V | Red |