

**Description**

SB-CRD-MSTR-Edge master Card is for power taking and work with hotel Host, have Guest, Server, Clear staff, Maintain Card, trigger on different scenes if insert different card

**Environmental conditions**

Working temperature : 0°C~45°C  
 Working Relative Humidity : 20%~90%  
 Storage temperature : -40°C~+55°C  
 Storage Relative Humidity : 10%~93%  
 IP Rang: IP2.0

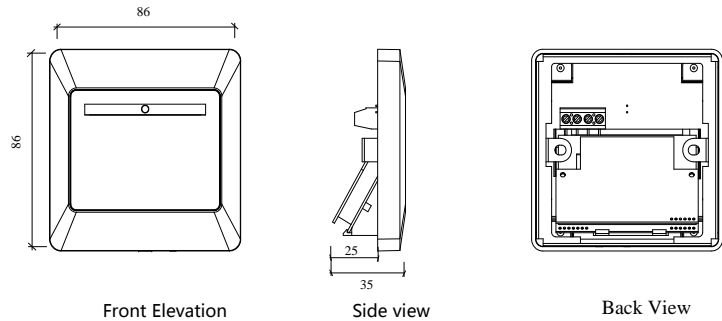
**Features**

- . Take Power
- . ID identify, trigger on different scenes if insert different card
- . Card Type: Guest, Server, Clear staff, Maintain Card

**Performance parameters**

- . Power : DC24V
- . Power Consumption : 15mA/DC24V
- . Installation : 86×86
- . Dimension : 86mm×86mm×9mm
- . IC Card : Mifare IC Card 13.56MHz

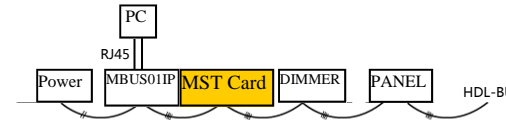
**Installation Dimension**



**Installation Requirement**

Standard 86\*86 installation  
 Bus Connect : CAT-5 UTP

**System connection diagram**



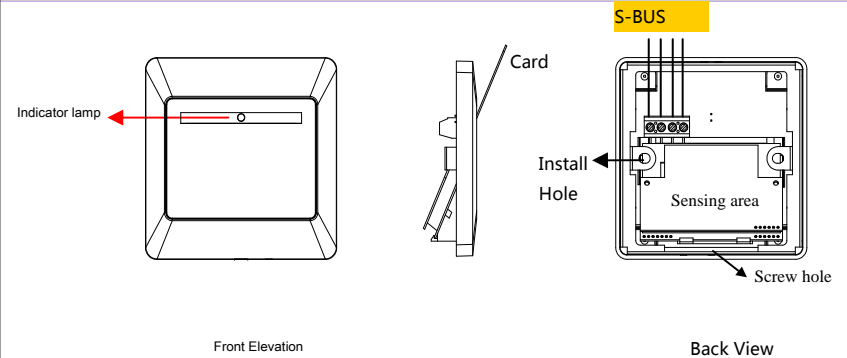
**HDL-BUS Definition**

Brown White/ Orange White	COM
Blue White /Green White	DATA-
Blue/Green	DATA+
Brown/ Orange	DC24V

Device 1 Device 2 Device 3 Device 4 Device 5

Recommended Connection: Hand in Hand

**Wiring For Installation**



Note: Sequence of Rs485: COM,DATA-,DATA+,C24V

**Packing List**

SB-CRD-MSTR-Edge	1 PC
Installation Manual	1 PC

**Safety and Maintenance**

Read All Instructions in detail before use  
 Make sure good Ventilation Environment  
 Pay Attention to Water-proof, shake-proof and dust-proof when using  
 Non-Rain, Non-Contact with other liquids or corrosive gases  
 Should be dried in time if invaded by water or liquid  
 Contact Professional maintenance staff or HDL company when Product has problem