

Installation Switches Series 8030

- Explosion protection to
 - CENELEC
 - IEC
- Can be used in Zone 1 and Zone 2
- Degree of protection IP 65
- Robust moulded plastic enclosure
- Large switch lever with phosphorescent inlaid strip

STAHL

The 8030 series of installation switches are used for lighting installations. For greater clarity when the lighting fails, a phosphorescent strip is inlaid in the switch lever. The switch position is shown unambiguously by the 90° action. This is especially convenient if lights and switch are in different rooms.

Zone 1 and Zone 2

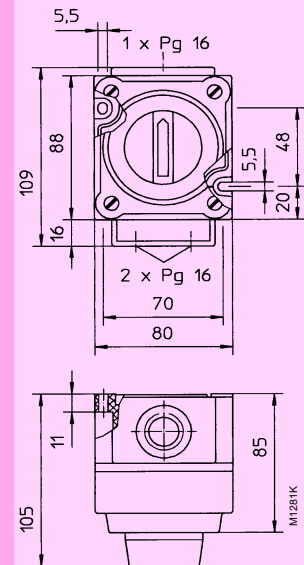
Selection table

Version	Schematic	Ordering code	Weight [kg]
On-off-switch		8030/51 – 033	0,6
Changeover switch		8030/51 – 035	0,6

Technical data

Explosion protection	EEx de IIC T6				
Test certificate	PTB Nr. Ex-80/1010 Other certificates: FM (USA), LCIE (France), BKI (Hungary), FTZU (Czech Republic), SEV (Switzerland), TÜV Vienna (Austria), VNIIEF (Russia), DNV (Germany), SZS (Yugoslavia), BVS (Germany)				
Enclosure material	Polyester, cover in polyamide				
Cover fixing	M 5, cheese head screws				
Rated voltage	500 V, AC; 250 V, DC				
Switching capacity (acc. VDE 0660, part 104, 09/82)	AC	230 V	400 V		
	AC 1	16 A	16 A		
	AC 11	6 A	6 A		
		16 A	16 A		
	DC	60 V –	110 V –	220/250 V –	
	DC 1	–	–	16 A	
	DC 11	1 A	0,6 A	0,4 A	
	L/R = 100 ms				
Contacts	max. 2 pole, see selection table				
Life	≥ 10 ⁵ operations				
Ambient temperature	– 20° C ... + 40° C				
Degree of protection	IP 65				
Connection	2,5 mm ² , screw terminals				
Cable entry	1 Compression gland PG 16, 2 plugs Pg 16				

Dimensions, all dimensions in mm – subject to alteration



8030/51
Installation switches

STAHL

Spare parts

Designation	Illustration	Description	for installation switches	Ordering code	Weight [kg]
On-off-switch switching component		double pole	8030/51 – 033	80 080 33 01 0	0,13
		Changeover	8030/51 – 035	80 080 35 01 0	0,13
Compression gland		Pg 16	8030/...	81 610 05 01 0	0,014