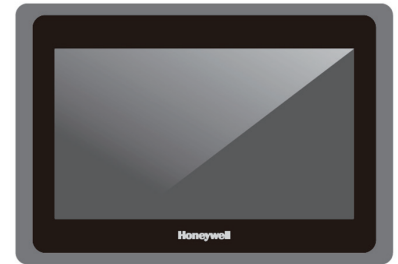


HONEYWELL INTELLIGENT TOUCH SCREEN

Honeywell intelligent touch screen provides on-site monitoring of users' smart building data, real-time monitoring and control of data collected from application scenarios.



Honeywell intelligent touch screen adopts industrial application design. The panel has IP65 protection grade, waterproof and oil-proof design, which is suitable for application scenarios such as refrigeration room, air conditioning room and mechatronic control cabinet, meeting the strict requirements for safe and stable operation of building automatic control system in these facilities.

The Honeywell intelligent touch screen provides powerful, easy-to-use configuration software. Through the configuration software, the user interface can be freely edited according to the actual needs of the operator, and the system equipment can be easily and conveniently monitored.

The Honeywell intelligent touch screen has Ethernet interface, supports BACnet IP protocol, and communicates with standard BACnet IP controller; Or support Modbus TCP for convenient network communication. It also provides an RS485 interface, supports BACnet MS/TP communication protocol, and communicates with the standard BACnet MS/TP DDC controller; Or it can support Modbus RTU protocol and communicate with Modbus RTU protocol devices (thermostat, air quality sensor, smart end networking devices such as smart meters).

The Honeywell intelligent touch screen has a 32-bit industrial-grade high-performance processor with a master frequency of 800MHz, 128M NAND flash memory and 128MB DDR3 memory, a true color HD display, a system real-time clock, and management functions such as schedule, alarm and trend logging.

PRODUCT FEATURES

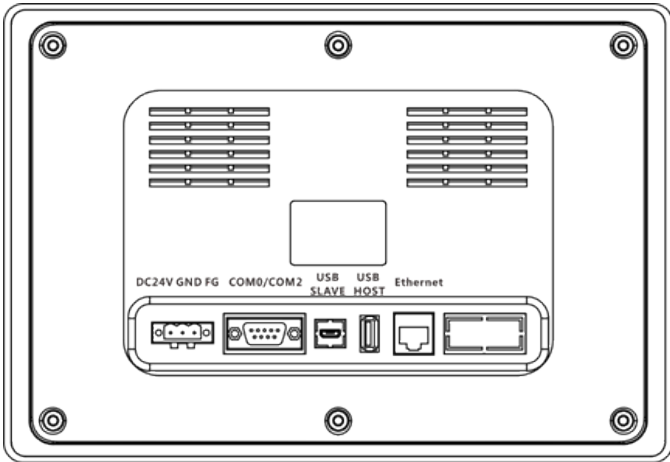
- Processor: ARM RISC 32-bit, Frequency: 800 MHZ
- Operating system: LINUX
- Supports real time clock
- Storage: 128MB NAND flash memory +128MB DDR3 memory
- Ethernet interfaces support BACnet IP or Modbus TCP
- The RS485 port supports BACnet MS/TP or Modbus RTU
- BACnet MS/TP communication rate: 9.6,19.2, 38.4, 76.8, 115.2 Kbps
- Modbus RTU communication rate: 1.2to187.5 Kbps
- With schedule, alarm and trend record management functions
- The panel is IP65 certified
- Comply with CE standards

APPLICATION

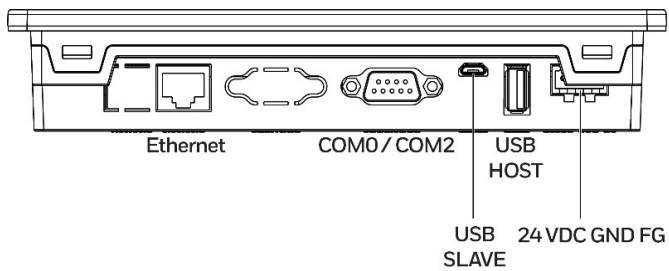
Honeywell intelligent touch screen is a choice for on-site management in application scenarios such as refrigerated room, air conditioning room and mechatronics control cabinet. It is widely used in smart buildings in various industries such as commercial complexes, office buildings, data centers, public facilities, high-end manufacturing, medical care, transportation, hotels and resorts, etc. Help users to monitor and control the building automatic control system at the facility site.

APPEARANCE AND TERMINALS

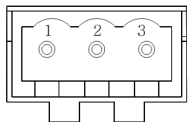
HiTS-S10A



EXTERNAL INTERFACE

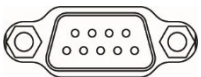


Power



Pins	Signal
1	DC24V
2	GND
3	FG

COM0 / COM2



COM0 / COM2 is a 9-pin D-type male connector.

Note:

COM0 supports RS232/485/422 communication function, and a serial port can only support one protocol at the same time. COM2 only supports RS232 communication function.

Pins	Signal	PLC (COM0) [RS-422]	PLC (COM0) [RS-485]	PLC (COM0) [RS-232]	PC/PLC (COM2) [RS-232]
1	Rx-(B)	RS422 R-	RS485 B		
2	RxD_PLC			RS232 RxD	
3	TxD_PLC			RS232 TxD	
4	Tx-	RS422 T-			
5	GND	Signal Ground			
6	Rx+(A)	RS422 R+	RS485 A		
7	RxD_PC				RS232 RxD
8	TxD_PC				RS232 TxD
9	Tx+	RS422 T+			

USB HOST

Connection	Connect with USB interface devices or U disks
Function	Connect with USB interface keyboard, mouse, printer, and so on, or insert U disk to upload/download programs and store data.

USB SLAVE

Type	Micro USB
Connection	USB Slave port can be connected with a PC.
Function	The port is only used to download user configuration program to the touch screen and to set system parameters.

Ethernet

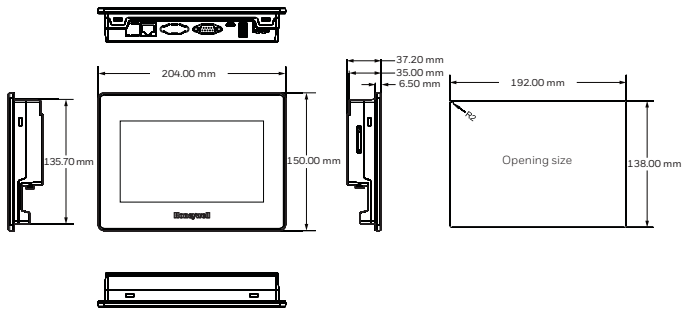
Type	RJ45 10 M / 100 M self-adaptive Ethernet port
Connection	Connect with the Ethernet device by CAT5 UTP cable.
Function	<ul style="list-style-type: none"> Used for upload/download of the device configuration, system parameter setting and online simulation. Connected to multiple touch screens via the Ethernet to form a network. Communicates with PLC via the Ethernet. Communicates with PC via the Ethernet port.

PRODUCT PARAMETERS

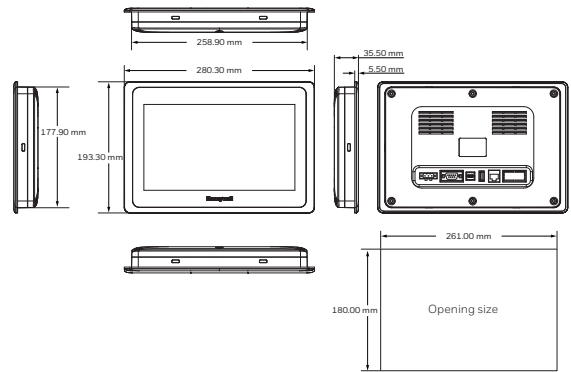
Model	HiTS-S07A	HiTS-S10A
Performance specification		
Display size	7" TFT	10.1" TFT
Display area	154.08mm(W) x 85.92mm(H)	222.72mm(W)x125.28mm(H)
Resolution	800*480 pixels	1024*600 pixels
Display color	16.7M color	
Display angle of view	70/70/50/70(left/right/up/down)	70/70/60/70(left/right/up/down)
view Contrast ratio	500:1	
Backlight	LED	
Brightness	250 cd/m ²	400 cd/m ²
Backlight life	More than 30000 hours	
Touch panel	4 lines precision resistance network (surface hardness 4H)	
CPU	ARM RISC 32Bit 800MHz	
Storage	128MB NAND Flash Memory+128MB DDR3 Memory	
RTC	Built-in	
Extensible memory	1 USB Host	
Print port	USB Host/serial port	
Ethernet	10/100M self-adaption	
Program download	USB Slave / U disk/Ethernet (Micro USB)	
Communication port	COM0:RS232/RS485 ; COM2:RS232	
Electrical specifications		
Input power supply	DC10V ~ DC28V	
Rated power	3.6W @ 24VDC	6W @24V DC
Allowable loss of power	<3ms	
Insulation resistance	Over 50MΩ@500V DC	
Hi-pot test	500 VAC 1 minute	
Structure specifications		
PCB	none of spraying	
Shell material	Engineering plastic	
Shape size	204mm*150mm*37mm	280mm*193mm*36mm
Cutout size	192mm*138mm	261mm*180mm
ze Weight	0.5 Kg	0.9Kg
Environmental specifications		
Temperature working	0 ~ 50°C	
Humidity working	10 ~ 90% RH (non-condensing)	
Storage temperature	-20 ~ 60°C	
Storage humidity	10 ~ 90% RH (non-condensing)	
Sine vibration test	10 ~ 500Hz, 30m/s, X, Y, Z direction/hour	
Cooling mode	Natural air cooling	
Product certification		
Panel protection grade	Conforming to IP65 certification(4208 — 93)	
CE authentication	EN61000-6-4:2007+A1:2011, EN61000-6-2:2005	
Software		
Configuration software	Honeywell DTools V3.5 and above	

DIMENSIONAL

HiTS-S07A



HiTS-S10A



ORDER INFORMATION

Product Model	Product Description
HiTS-S07A	Honeywell intelligent touch screen, 7" TFT, ARM RISC 32Bit 800MHz, 128MB NAND Flash Memory, 128MB DDR3 Memory, 16.7M color, a system real-time clock, management functions such as schedule, alarm and trend logging. Honeywell intelligent touch screen, has Ethernet interface, supports BACnet IP protocol, and communicates with standard BACnet IP controller; Or support Modbus TCP for convenient network communication. It also provides an RS485 interface, supports BACnet MS/TP communication protocol, and communicates with the standard BACnet MS/TP DDC controller; Or it can support Modbus RTU protocol and communicate with Modbus RTU protocol devices (thermostat, air quality sensor, smart end networking devices such as smart meters).
HiTS-S10A	Honeywell intelligent touch screen, 10" TFT, ARM RISC 32Bit 800MHz, 128MB NAND Flash Memory, 128MB DDR3 Memory, 16.7M color, a system real-time clock, management functions such as schedule, alarm and trend logging. Honeywell intelligent touch screen, has Ethernet interface, supports BACnet IP protocol, and communicates with standard BACnet IP controller; Or support Modbus TCP for convenient network communication. It also provides an RS485 interface, supports BACnet MS/TP communication protocol, and communicates with the standard BACnet MS/TP DDC controller; Or it can support Modbus RTU protocol and communicate with Modbus RTU protocol devices (thermostat, air quality sensor, smart end networking devices such as smart meters).

For more information

buildings.honeywell.com.cn

Honeywell Building Technology

China Head Quater

Building #1, 555 Huanke Road
Pudong New Area, Shanghai
+86 400-842-8487

HongKong / Macau Office

Unit 501, 5/F, Goldin Financial Global Centre
17 Kai Cheung Road, Kowloon Bay, Kowloon,
Hong Kong
T +852-2331913

HBT-GC-BMS-HiTS-S10A/S07A-2022-CN01
© 2021 Honeywell International Inc.

**THE
FUTURE
IS
WHAT
WE
MAKE IT**

