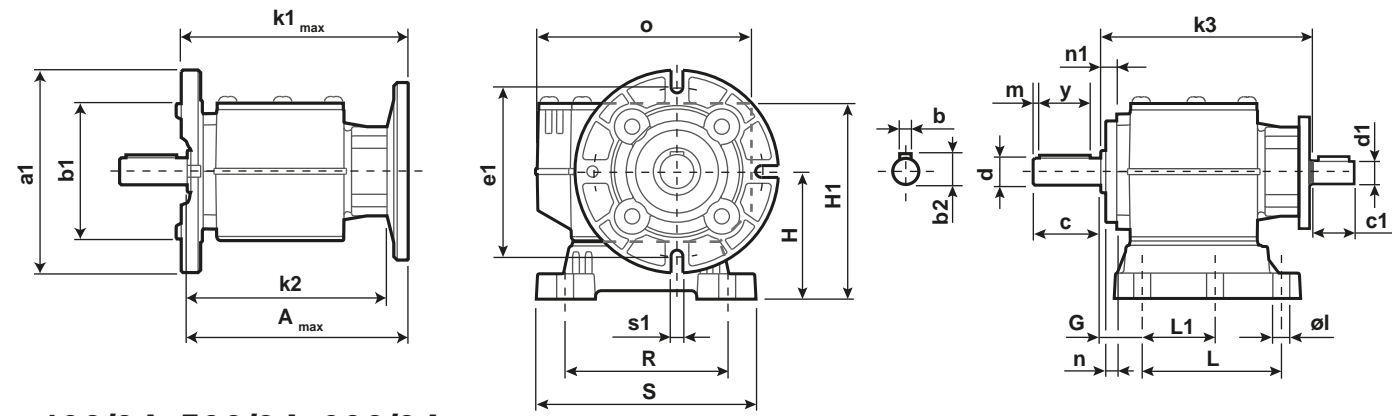
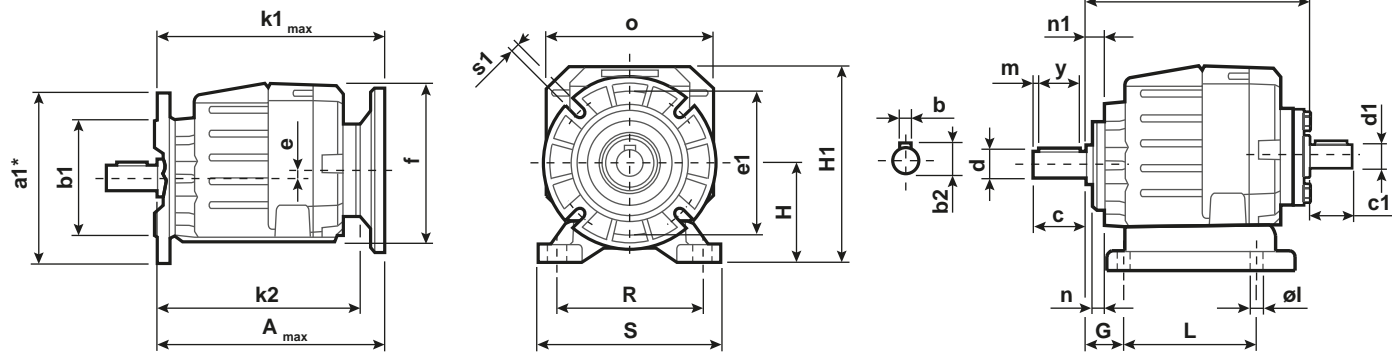


202A-302A-452A



402/3A-502/3A-602/3A



* Other flanges are available on request
 * Altre flange sono disponibili su richiesta

Size	A Max	a1*	b	b1	b2	c	c1	d	d1	e	e1	f	k1 Max	k2	k3	y	m	n	n1	o	s1
202A	135.2	160	5	110	18	40	25	ø16	ø14	-	130	81.5	138.7	117.5	130	30	3	6.5	9.5	128	9
302A	152.2	200	6	130	22.5	40	35	ø20	ø19	-	165	81.5	155.7	131.5	143.5	30	3	6.5	9.5	128	11
452A	225.2	250	8	180	33	60	50	ø30	ø24	-	215	121.5	233.7	177.2	189.3	50	5	13.5	15.5	187	14
402A	196.5	200	8	130	28	50	35	ø25	ø19	7	165	127	199.5	160	171.3	40	3	8.2	11.5	139	11
403A	186.5	200	8	130	28	50	25	ø25	ø14	3.2	165	127	189.5	166	175.7	40	3	8.2	11.5	139	11
502A	261.5	250	8	180	33	60	50	ø30	ø24	5.3	215	171	270	207.5	220.3	50	5	12	15.5	178	14
503A	236.5	250	8	180	33	60	35	ø30	ø19	15	215	171	245	216	228.5	50	5	12	15.5	178	14
602A	279.5	250	10	180	38	70	50	ø35	ø24	21.8	215	172.5	288	225.3	237.3	60	5	12	15.5	202	14
603A	255	250	10	180	38	70	35	ø35	ø19	15.5	215	172.5	263.5	234.5	245.8	60	5	12	15.5	202	14

* Other feet are available on request (see our web site)
 * Altri piedini sono disponibili su richiesta (controlla sul nostro sito web)

Size	Feet code	G	H	H1	øl	L	L1	R	S
202A	B1	18	85	125	9	87	50	110	130
	B2	18	100	145	11	107.5	60	130	155
	S1	18	75	115.5	9	110	50	110	130
	L3	12.5	65	149	9	60	-	91	105
302A	B1	18	85	125	9	87	50	110	130
	B2	18	100	145	11	107.5	60	130	155
	S1	18	75	115.5	9	110	50	110	130
	S2	25	90	135	9	130	-	110	130
452A	B1	18	85	125	9	87	50	110	130
	B2	18	100	145	11	107.5	60	130	155
	S1	18	75	115.5	9	110	50	110	130
	L4	13	80	165	9	76	-	105	132

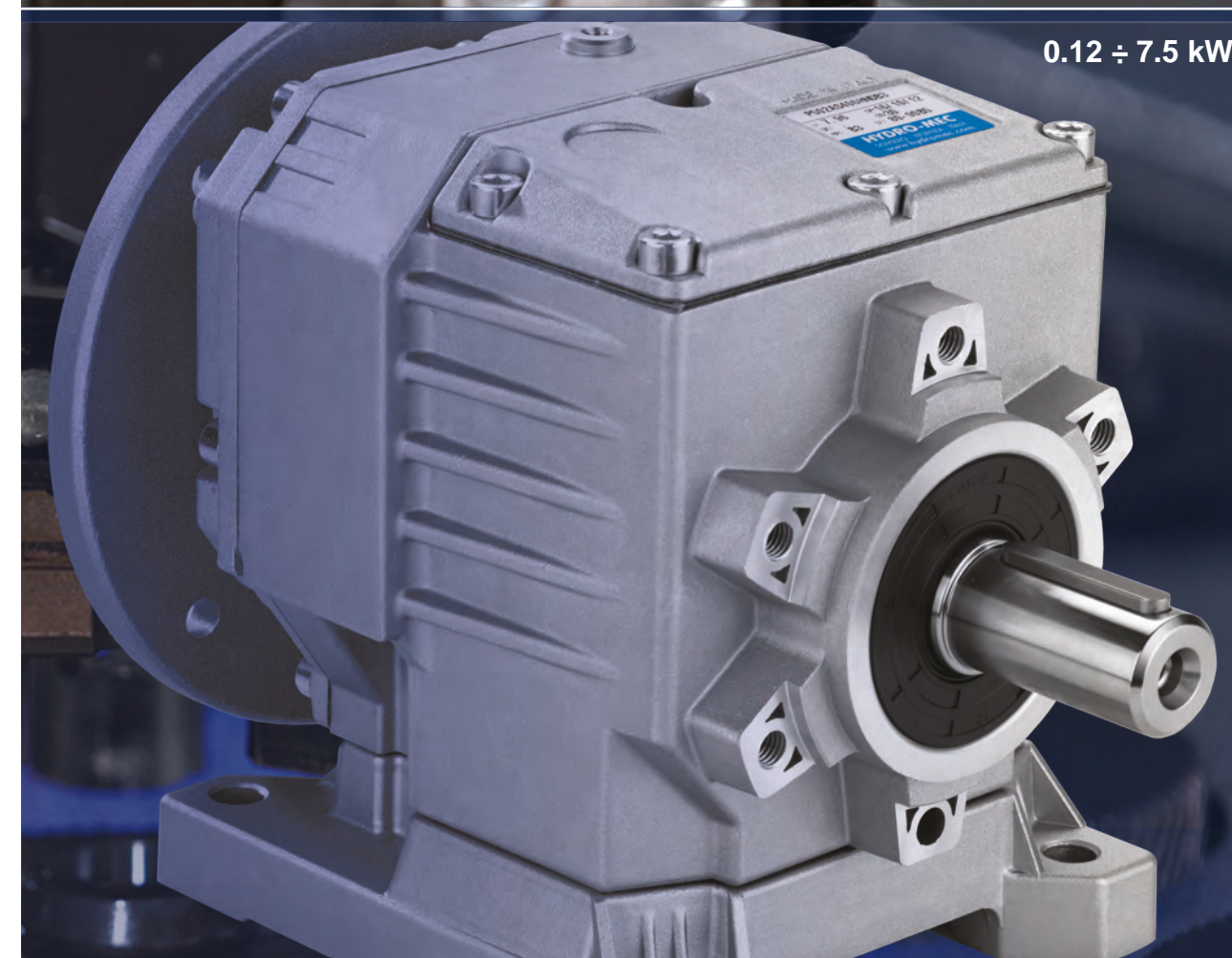
Size	Feet code	G	H	H1	øl	L	L1	R	S
402A	B1	18	85	125	9	87	50	110	130
	B2	18	100	145	11	107.5	60	130	155
	S1	18	75	115.5	9	90-110	50	110	145
	S2	25	90	172	9	130	-	110	145
	H2	25	100	182	9	115	-	110	145
403A	M1	25	80	162	9	85	-	110-120	145
	L4	13	80	162	10	76	-	105	132
	L5	16	100	182	12	90	-	125	150
	B3	18	110	211.5	11	130	-	160	190
	B4	20	130	231.5	14	149.5	-	180	216
502A	S4	30	115	216.5	13.5	165	-	135	170
	H3	30	130	231.5	14	135	-	135	185
	M2	30	110	226.5	11	100	-	135-150	190
	L6	19	125	201.5	14	106	-	160	205
	E2	13	100	201.5	14	192	-	135	164
503A	P4	35	142	243.5	14	145	-	130	160
	B4	20	130	233	14	149.5	-	180	216
	S4	30	115	218	13.5	165	-	135	170
	M3	35	120	223	14	110	-	170-185	230
	S7	35	140	243	14	205	-	170	204
	H4	35	155	258	14	150	-	170	225
	L6	19	125	228	14	106	-	160	205
602A	E3	19.5	125	228	14	240	-	170	205
	P6	40	162	265	14	205	-	160	200
	B5	23.5	115	218	14	130	-	170	205

Type Tipo	Size Grandezza	Mounting Montaggio	Ratio Rapporto	Output shaft Albero uscita	Output flange Flangia uscita	Motor size Grandezza motore	Terminal box position Posizione morsettiere	Mounting position Posizione montaggio
P	402A	-F	7.33	V	2	-C	B	B3
M	2 Stages Riduzioni 202A 302A 402A 452A 502A 602A	Without flange/feet -N	See technical data table Vedi tabella dati tecnici	STANDARD	STANDARD N Senza flangia Without flange	Standard Flange Flangia Standard B5 -A=56 (ø120) -B=63 (ø140) -C=71 (ø160) -D=80 (ø200) -E=90 (ø200) -F=100-112 (ø250) -G=132 (ø300)	A	B3 STANDARD
P	With motor flange	Output flange mounted -F		S B → ø16 D → ø20 V → ø25	202A 302A 1 → ø120 2 → ø140 3 → ø160 4 → ø200		B	B6
R	With male input shaft	Mounted feet B..		S B → ø14 C → ø19 D → ø20 E → ø24 V → ø25 G → ø28	302A 1 → ø14 2 → ø16 3 → ø19 4 → ø200 5 → ø250	402A 403A 1 → ø120 2 → ø140 3 → ø160 4 → ø200 5 → ø250	C	B7
B	Modular base			S B → ø14 C → ø19 D → ø20 E → ø24 V → ø25	402A 403A 3 → ø160 4 → ø200 5 → ø250	452A 502A 503A Without flange Senza flangia -Z → ø9 (56B5) -0 → ø11 (63B5) -1 → ø14 (71B5)	D	B8
				G → ø28 H → ø30 I → ø35	602A 603A -2 → ø19 (80B5) -3 → ø24 (90B5) -4 → ø28 (100B5)	452A 502A 602A -1 → ø14 (71B5) -2 → ø19 (80B5) -3 → ø24 (90B5)		V5
				G → ø28 H → ø30 I → ø35 L → ø38 M → ø40		302A 402A 503A 603A -1 → ø14 (71B5) -2 → ø19 (80B5) -3 → ø24 (90B5)		V6
						Type R / Tipo R 202A 403A -1 → ø14 452A 502A 602A -3 → ø24 302A 402A 503A 603A -2 → ø19		V8
								Specify only for vertical positions Specificare solo per posizione verticale

Select type and specific size on the our web site to get complete data.
 Selezionare tipo e grandezza specifica nel nostro sito web per la documentazione completa.



Coaxial-Gears



Aluminum coaxial gearboxes Made in Italy



Via della tecnica, 19 - 36050 Sovizzo (VI) Tel.: +39 0444 551911 - Fax: +39 0444 536139
 e-mail: hydromec@hydromec.com - PEC: posta@pec.hydromec.com

Also available with special options

Depilant code: DP-RCM-WO-HM016

HYDROMEC

