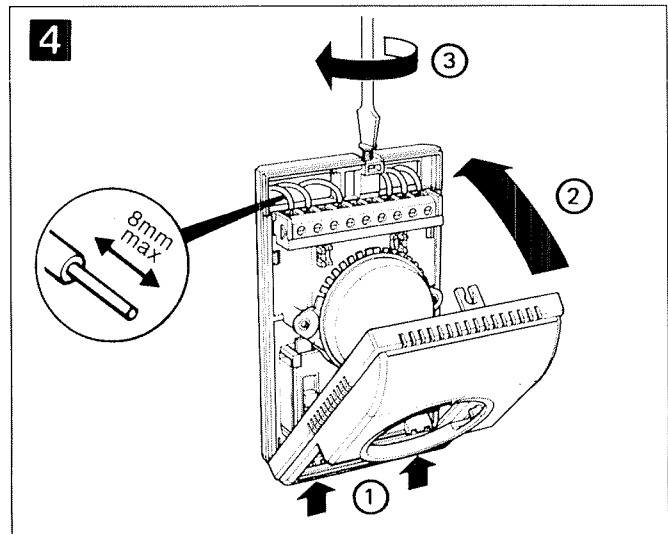
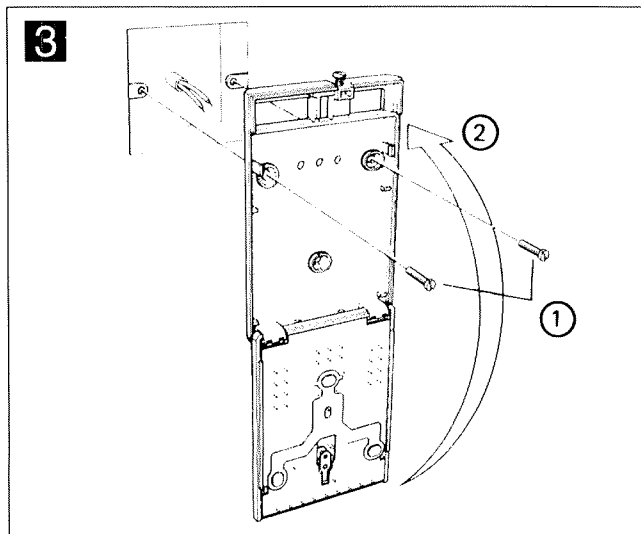
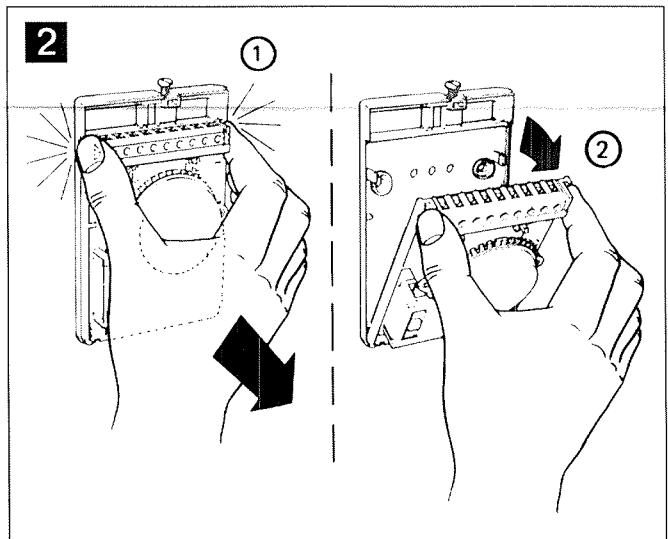
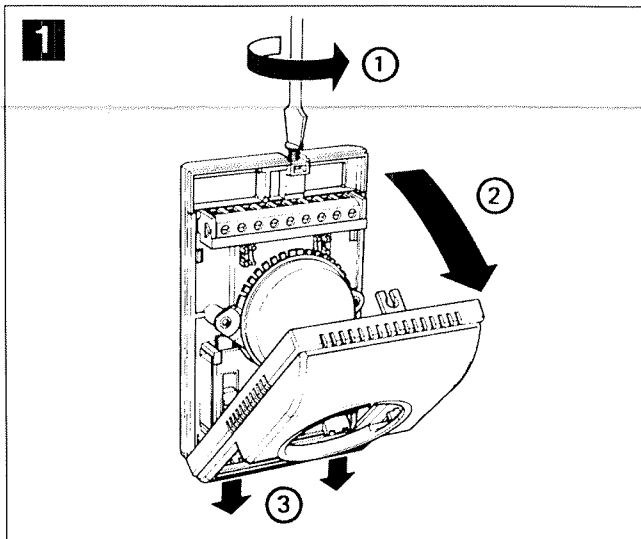
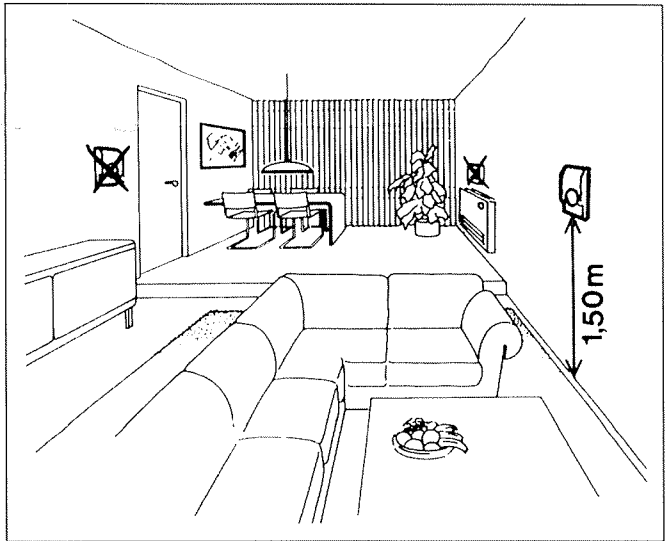
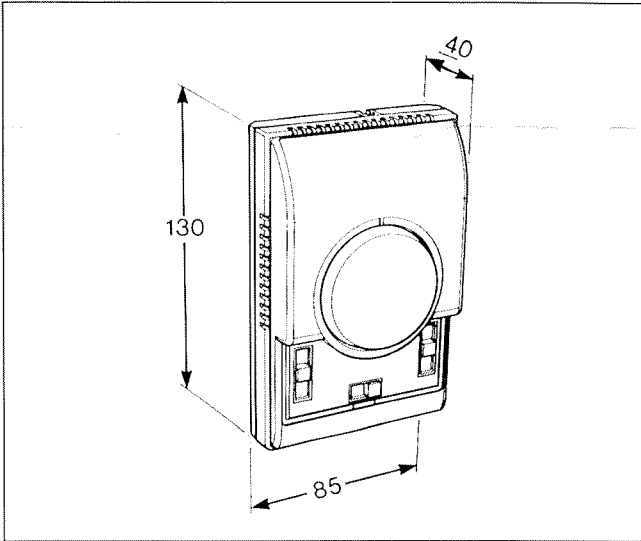
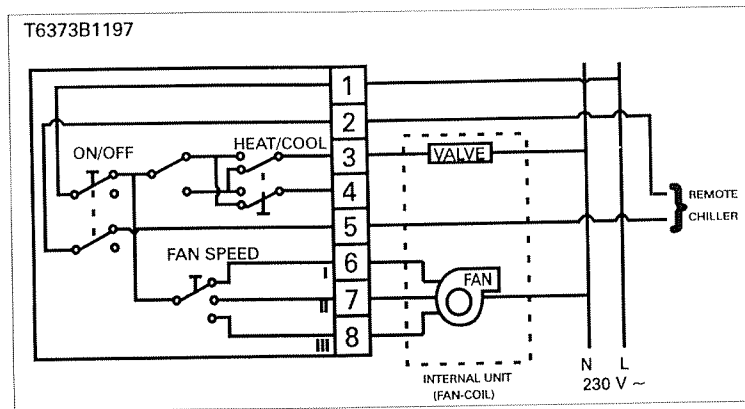
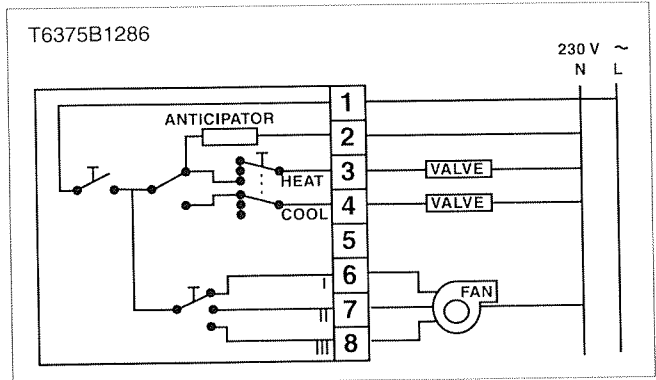
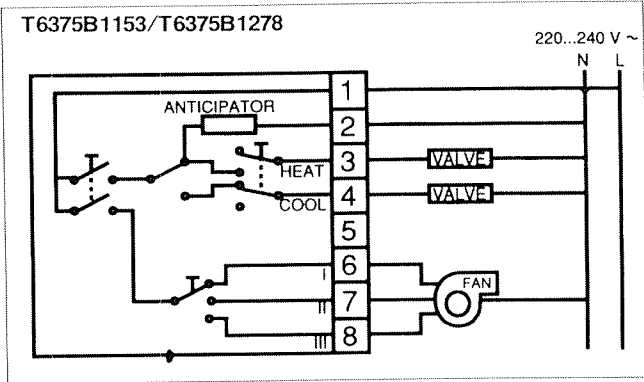
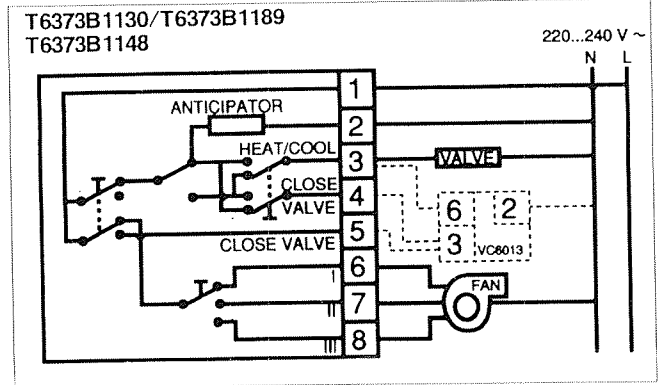
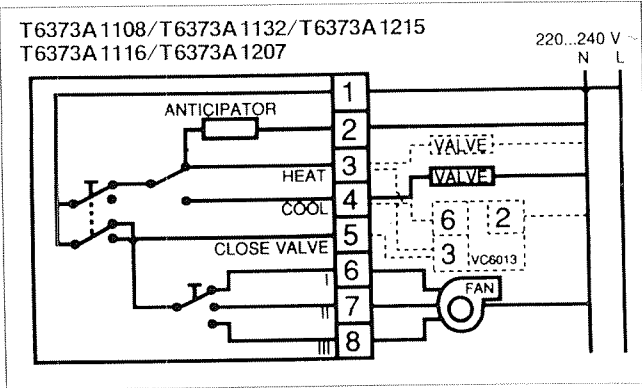


### Installation Sheet





**Honeywell**

Home and Building Control

No user serviceable parts. Do not dispose of in a fire.