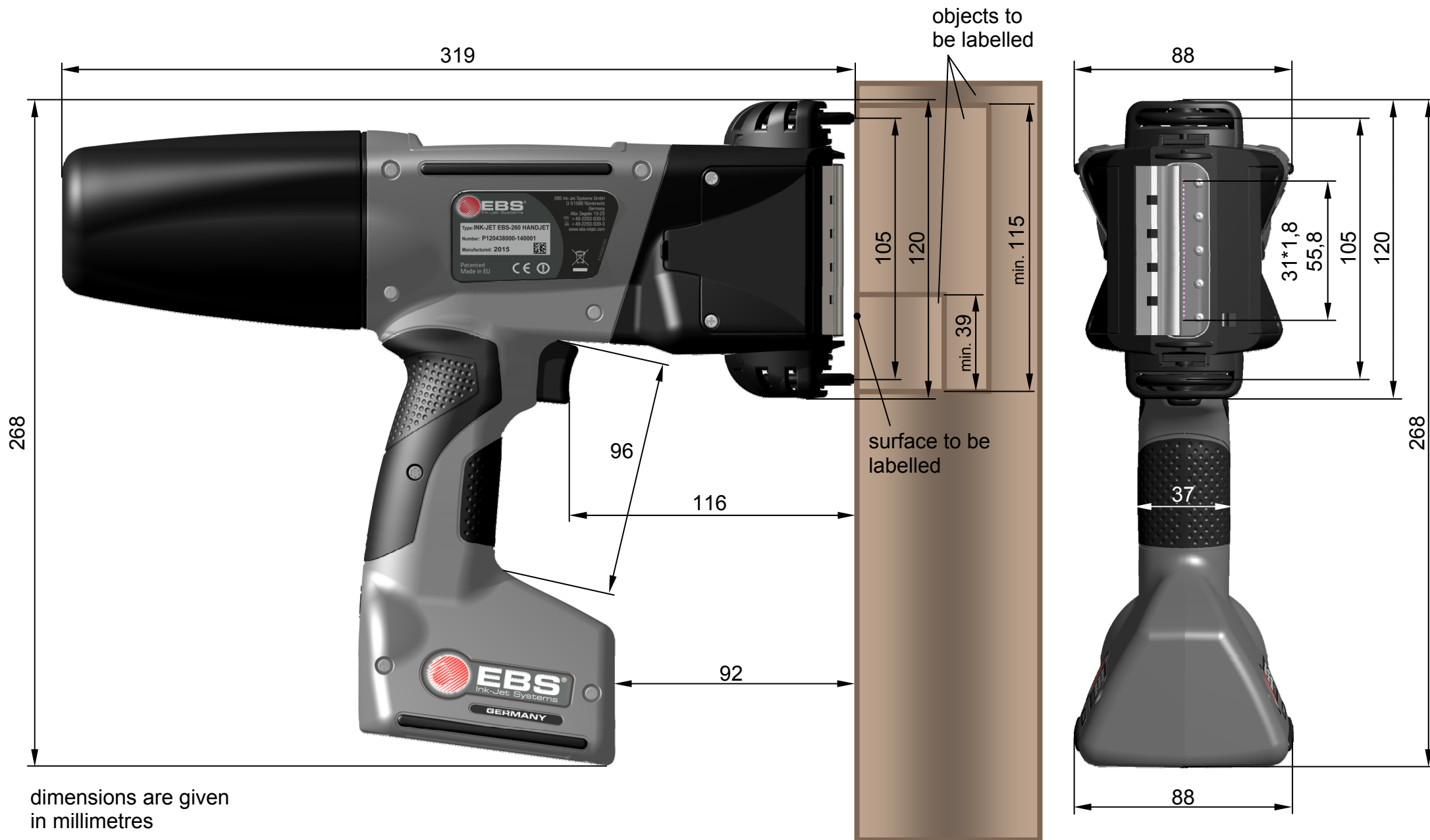
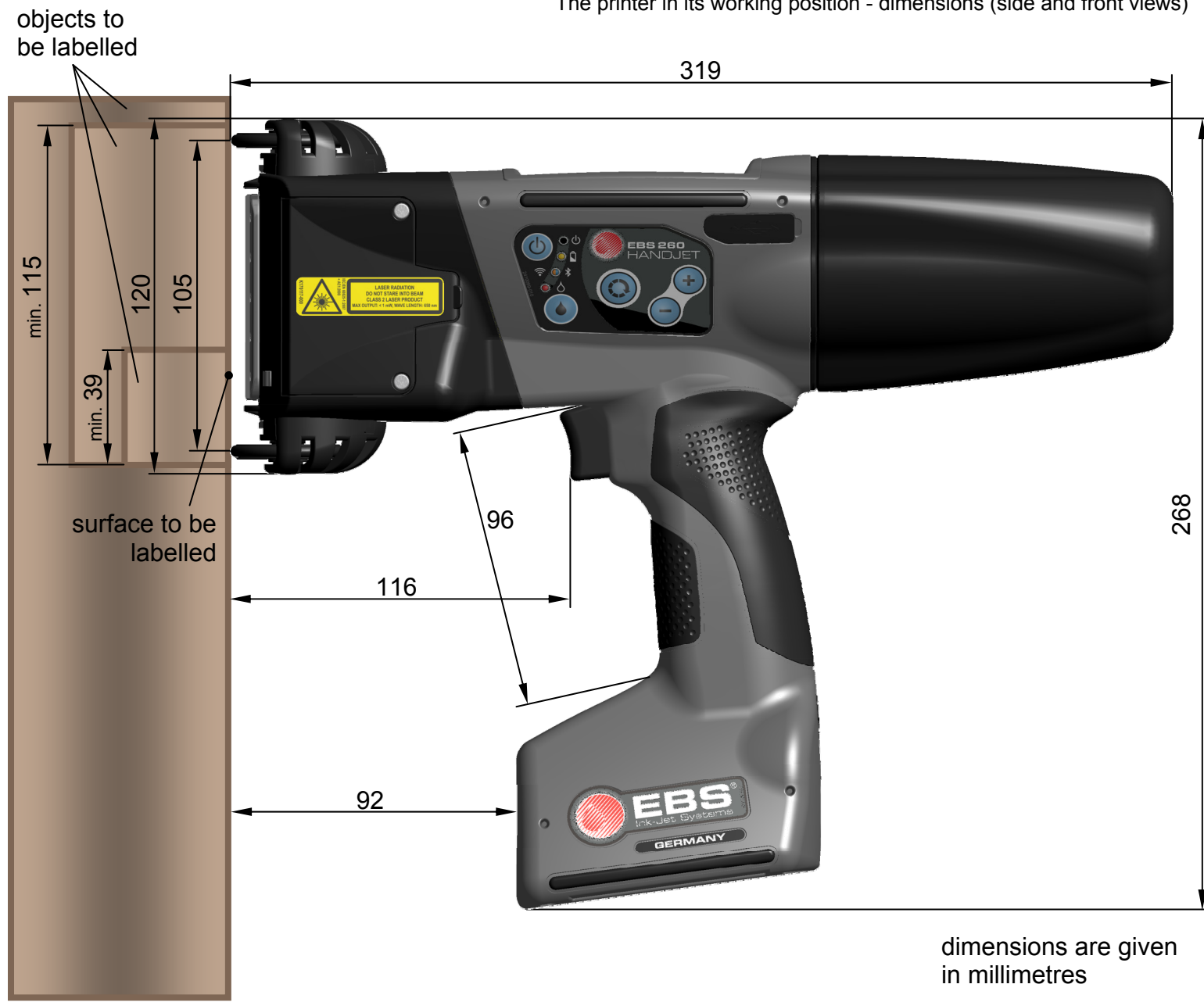
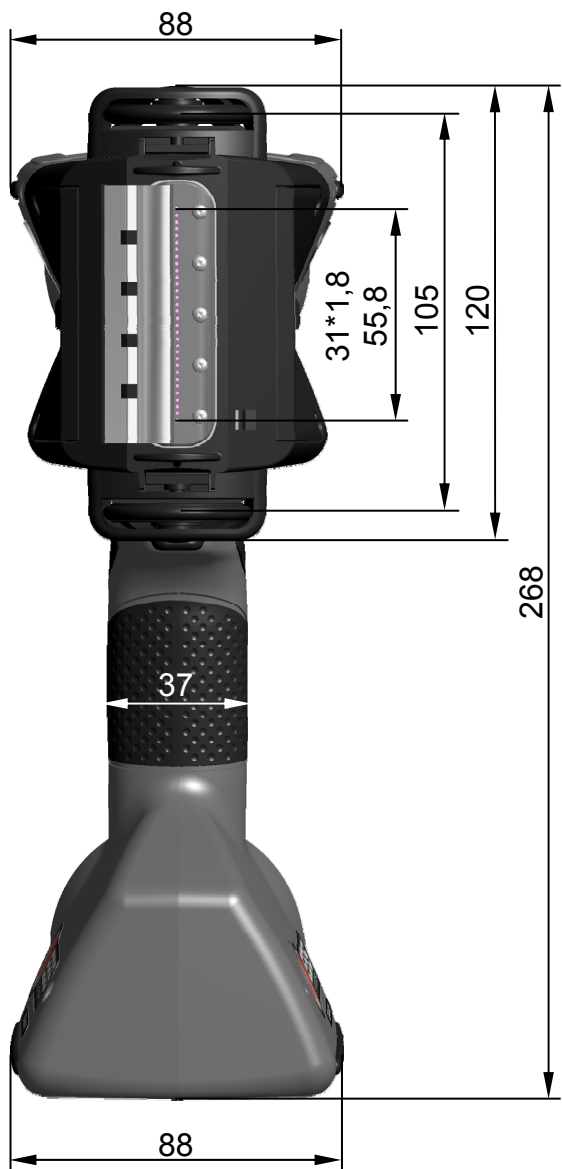


The printer in its working position - dimensions (side and front views)



dimensions are given in millimetres

The printer in its working position - dimensions (side and front views)



dimensions are given in millimetres