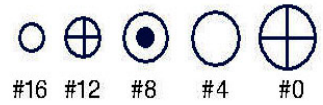


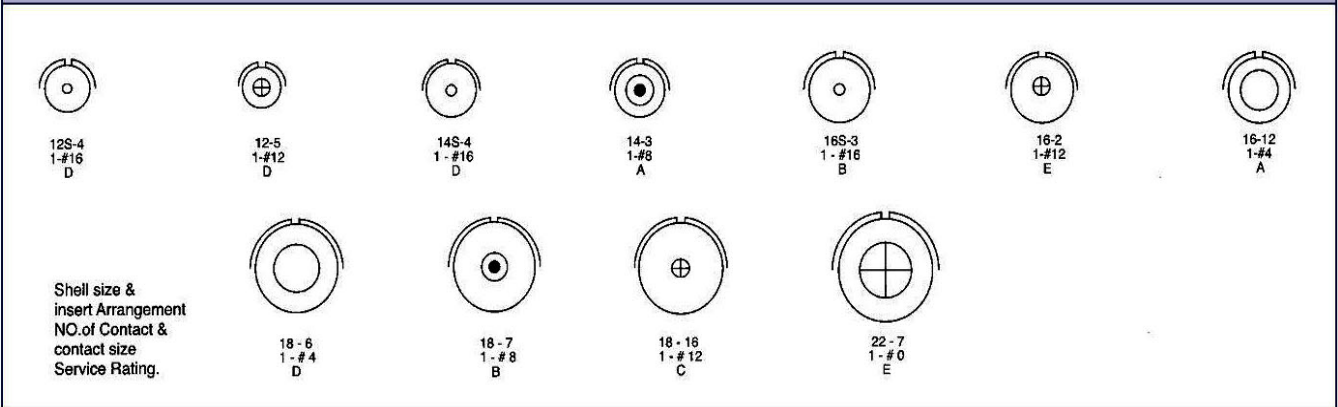
## MIL-C-5015 Series Connectors

### Contact Arrangement

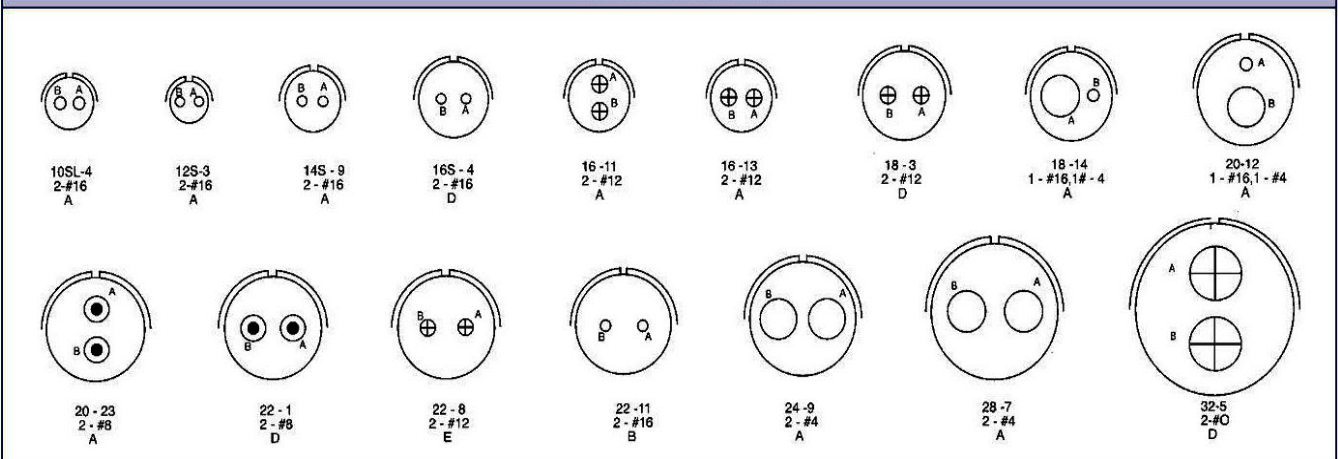
contact legend



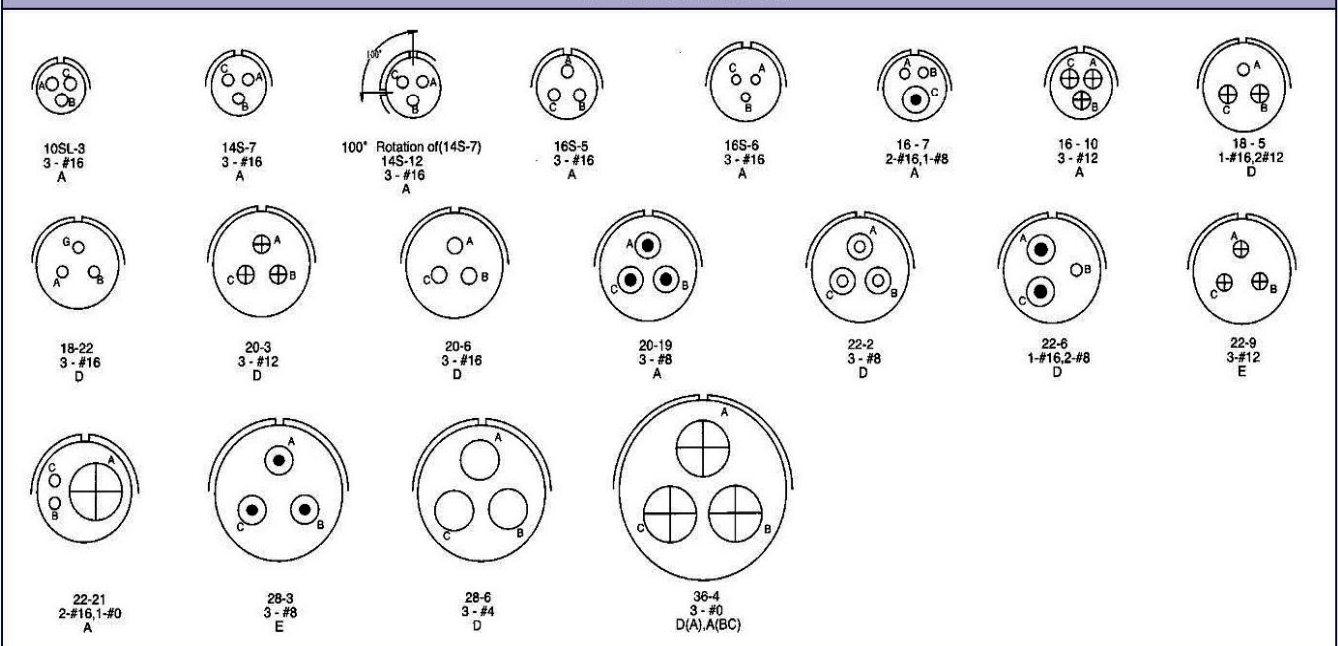
### 1 CONTACTS



### 2 CONTACTS

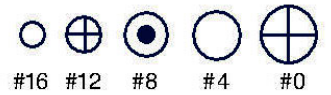


### 3 CONTACTS



## MIL-C-5015 Series Connectors Contact Arrangement

contact legend



### 4 CONTACTS


Shell size & Insert Arrangement  
No. of Contact & Contact size  
Service Rating.

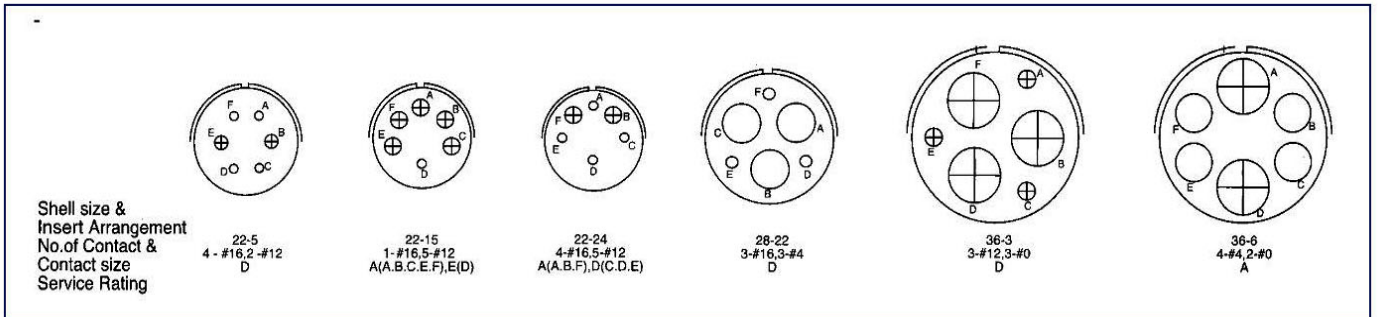
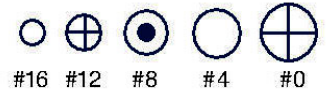
### 5 CONTACTS


### 6 CONTACTS

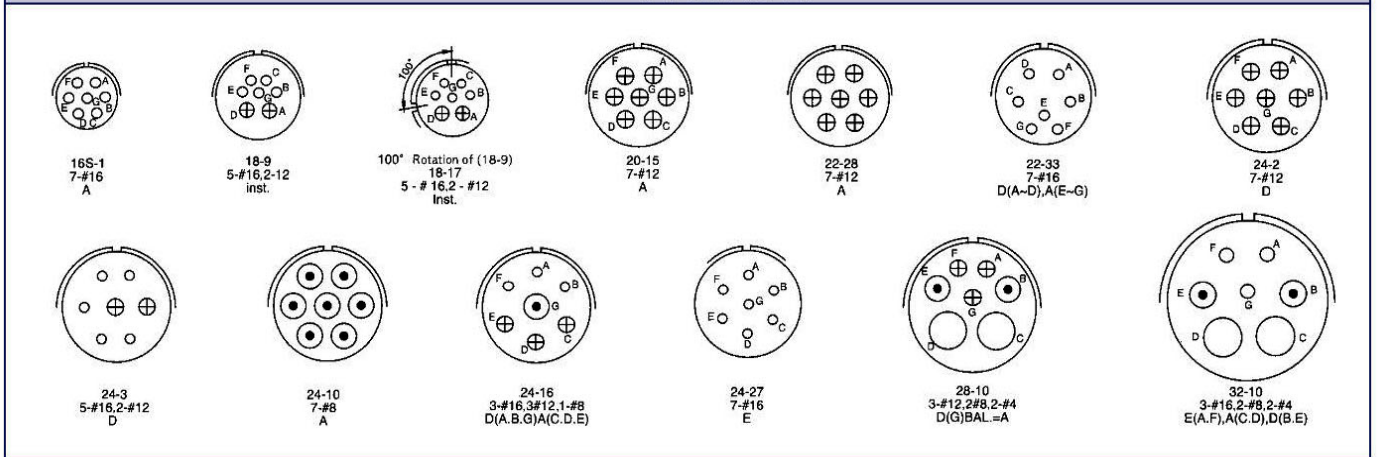
--	--	--	--	--

## MIL-C-5015 Series Connectors Contact Arrangement

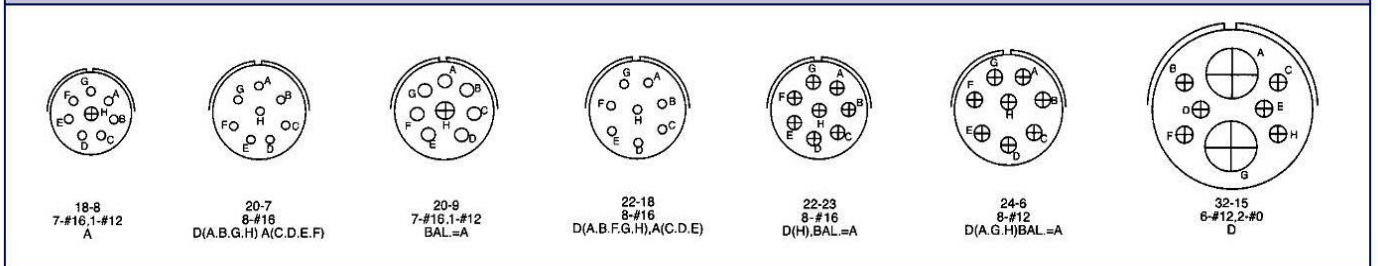
contact legend



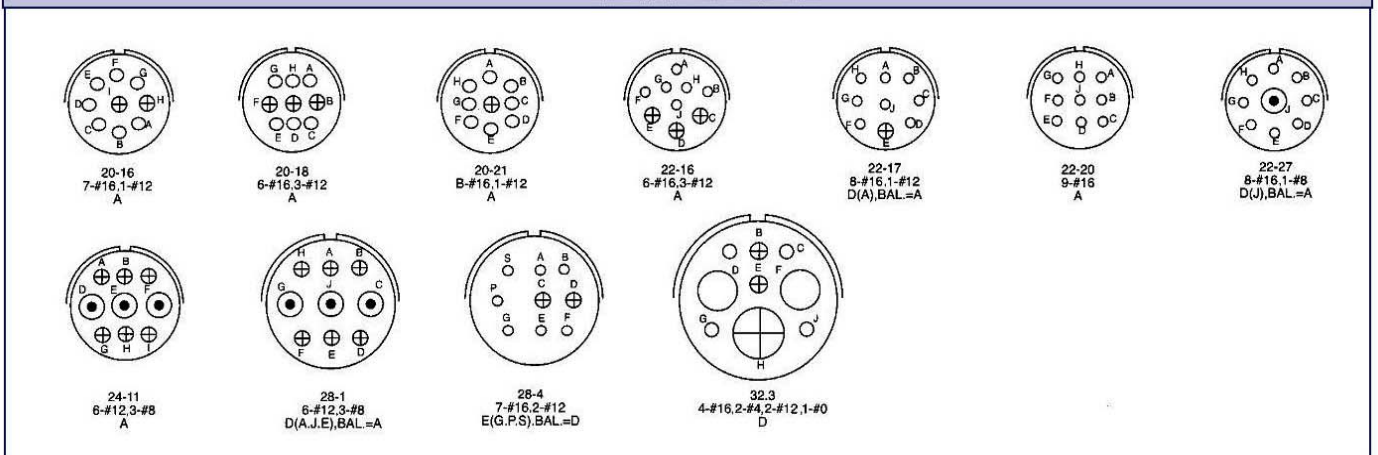
### 7 CONTACTS



### 8 CONTACTS



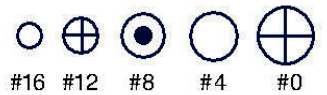
### 9 CONTACTS





## MIL-C-5015 Series Connectors Contact Arrangement

contact legend



### 10 CONTACTS

<p>Shell size &amp; Insert Arrangement No. of Contact &amp; Contact size Service Rating.</p>	<p>18-1 10-#16 A,B,C,G,G=Inst.,BAL</p>	<p>18-19 10-#16 A</p>	<p>250° Rotation of(18-1) 18-24 10-#16 A(B,C,F,G)Inst.,BAL.</p>	<p>24-21 9-#16,1#8 D</p>	<p>28-19 6-#16,4-#12 B(H,M),D,B,BAL=A</p>
--	--	-------------------------------	---	----------------------------------	---

### 11 CONTACTS

<p>20-33 11-#16 A</p>	<p>24-20 9-#16,2-#12 D</p>
-------------------------------	------------------------------------

### 12 CONTACTS

<p>28-8 10-#16,2-#12 E(L,M), D,B,BAL=A</p>	<p>28-9 6-#16,6-#12 D</p>	<p>28-18 12-#16 C,M,D(G,H,J,K,L),A(A,B)=Inst.,BAL.</p>
--	-----------------------------------	--

### 13 CONTACTS

<p>20-11 13-#16 Inst.</p>	<p>100° Rotation of(20-11) 20-25 13-#16 Inst.</p>	<p>250° Rotation of(20-11) 20-30 13-#16 Inst.</p>
-----------------------------------	---	---

### 14 CONTACTS

<p>20-27 14-#16 A</p>	<p>22-19 14-#16 A</p>	<p>28-20 12-#16,10-#12 D</p>	<p>28-20 4-#16,10-#12 A</p>	<p>32-4 12-#16,2-#12 A,F(J,K,N),D,B,BAL=D</p>	<p>32-9 12-#16,2-#4 D</p>
-------------------------------	-------------------------------	--------------------------------------	-------------------------------------	---	-----------------------------------

### 15 CONTACTS

<p>28-17 15-#16 B(R),O(M,N,P),A(A-L)</p>	<p>32-12 10-#16,5-#12 A(C,D,E,F,G)BAL=D</p>
--	---

### 16 CONTACTS

<p>24-5 16-#16 A</p>	<p>24-7 4-#16,2-#12 A</p>	<p>36-14 6-#16,5-#8,5-#12 D</p>
------------------------------	-----------------------------------	---

### 17 CONTACTS

<p>20-29 17-#16 A</p>	<p>36-13 15-#16,2-#12 E(N,P,O), BAL=A</p>
-------------------------------	---

### 19 CONTACTS

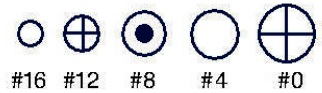
<p>22-14 19-#16 A</p>
-------------------------------

### 20 CONTACTS

<p>28-16 20-#16 A</p>
-------------------------------

## MIL-C-5015 Series Connectors Contact Arrangement

contact legend



#16 #12 #8 #4 #0

### 22 CONTACTS

Shell size & Insert Arrangement  
No. of Contact & Contact size  
Service Rating.

### 23 CONTACTS

### 24 CONTACTS

### 25 CONTACTS

### 30 CONTACTS

### 31 CONTACTS

### 31 CONTACTS

### 34 CONTACTS

### 35 CONTACTS

### 37 CONTACTS

### 47 CONTACTS

### 48 CONTACTS

### 52 CONTACTS