

Product description	Contacts: 3, female cable connector
Area	Bayonet IP40 Power Series 690
Order number	09 0056 00 03

Illustration	Scale drawing	Contact arrangement												
		<table border="1" style="margin-left: 20px;"> <thead> <tr> <th></th> <th>X</th> <th>Y</th> </tr> </thead> <tbody> <tr> <td>1</td> <td>2,39</td> <td>-2,14</td> </tr> <tr> <td>2</td> <td>-2,39</td> <td>-2,14</td> </tr> <tr> <td>3</td> <td>0,00</td> <td>3,00</td> </tr> </tbody> </table>		X	Y	1	2,39	-2,14	2	-2,39	-2,14	3	0,00	3,00
	X	Y												
1	2,39	-2,14												
2	-2,39	-2,14												
3	0,00	3,00												

You can find the component part drawing on the next page.

Technical data

General values

Connector design	Female cable connector
Connector locking system	Bayonet
Termination	solder
Wire gauge (mm)	2,50 mm ²
Wire gauge (AWG)	14
Cable outlet	5 – 8 mm
Upper limit temperature	85 °C
Lower limit temperature	-40 °C

Electrical values

Rated voltage	250 V
Rated impulse voltage	2500 V
Pollution degree	1
Overvoltage category	II
Insulating material group	III
Rated current (40 °C)	10 A
Volume resistivity	≤ 5 mΩ
EMC compliance	Shielding is not possible
Degree of protection	IP40
Mechanical operation	> 50 Mating cycles

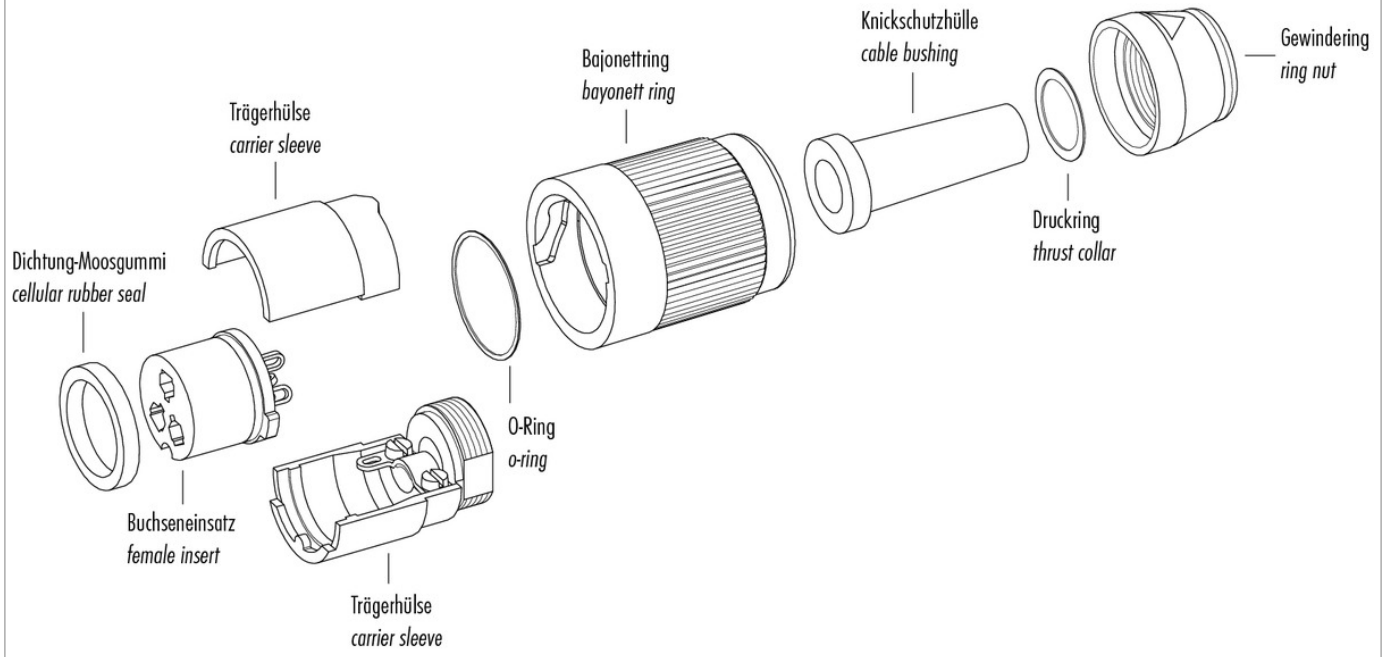
Material

Contact material	CuSn (Bronze)
Contact plating	Ag (silver)
Contact body material	PET (UL 94 V-0)

Product description **Contacts: 3, female cable connector**

Area **Bayonet IP40 Power Series 690**
Order number **09 0056 00 03**

Component part drawing



Product description **Contacts: 3, female cable connector**

Area **Bayonet IP40 Power Series 690**
Order number **09 0056 00 03**

Sicherheitshinweise

1. The connector must not be connected or separated under load. Non-observance and incorrect use can result in personal injury.
2. The connectors are designed for use in plant, control system and electrical equipment. The end user is responsible for checking whether the connectors are suitable for use in other applications.
4. Connectors used in electrical circuits containing hazardous life parts must only be assembled and used by or under the supervision of persons with the requisite electrotechnical training, taking the applicable regulations and standards into account.