

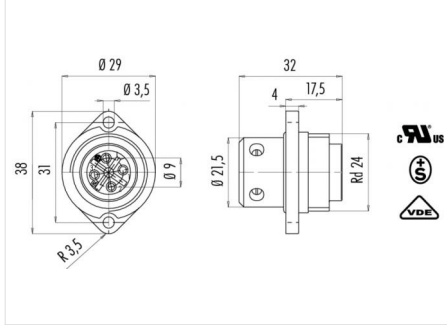
Product description **Contacts: 3+PE, male panel mount connector, PG 9, with VDE, ETS, UL approval, screw**

Area **RD24 Power Series 692/693**  
 Order number **09 4223 00 04**

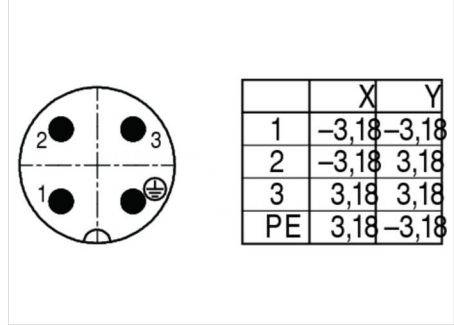
**Illustration**



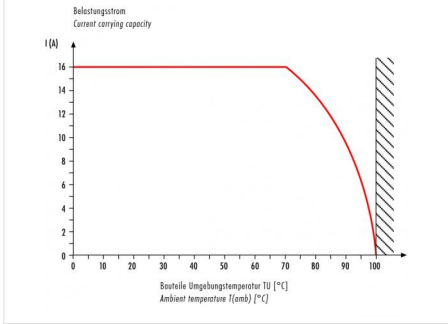
**Scale drawing**



**Contact arrangement**



**Derating curve**



You can find the assembly instructions on the next page.

**Technical data**

**General values**

Connector design male panel mount connector  
 Connector locking system bolted  
 Termination screw  
 Wire gauge (mm) max. 2,5 mm<sup>2</sup>  
 Wire gauge (AWG) max. 14  
 Cable outlet -  
 Upper limit temperature 100 °C  
 Lower limit temperature -40 °C

**Cable data**

Approval 1 UL  
 Approval 2 ESTI+  
 Approval 3 VDE

**Electrical values**

Rated voltage 400 V (600 V UL) V  
 Rated impulse voltage 6000 V  
 Pollution degree 3  
 Overvoltage category III  
 Insulating material group III  
 Rated current (40 °C) 16 A (12 A UL)  
 Volume resistivity ≤ 5 mΩ  
 EMC compliance Shielding is not possible  
 Degree of protection IP67  
 Mechanical operation > 500 Mating cycles

**Material**

Contact material CuZn (Messing)  
 Contact plating Ag (silver)  
 Contact body material PBT

Product description

Contacts: 3+PE, male panel mount connector, PG 9, with VDE, ETS, UL approval, screw

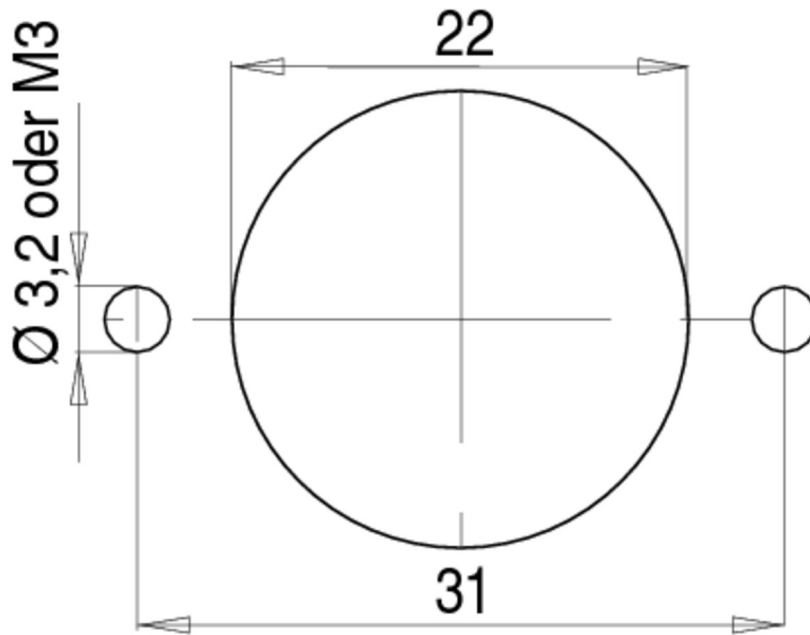
Area

RD24 Power Series 692/693

Order number

09 4223 00 04

Assembly instructions / Panel cut-out



Product description **Contacts: 3+PE, male panel mount connector, PG 9, with VDE, ETS, UL approval, screw**

Area **RD24 Power Series 692/693**  
Order number **09 4223 00 04**

### Sicherheitshinweise

1. The connector must not be connected or separated under load. Non-observance and incorrect use can result in personal injury.
2. The connectors are designed for use in plant, control system and electrical equipment. The end user is responsible for checking whether the connectors are suitable for use in other applications.
6. Connectors with degree of protection IP 67 and IP 68 are not suitable for use under water. When used outdoors, the connectors must be separately protected against corrosion. For further information about IP degrees of protection refer to 'Technical support' in the Download Centre.