

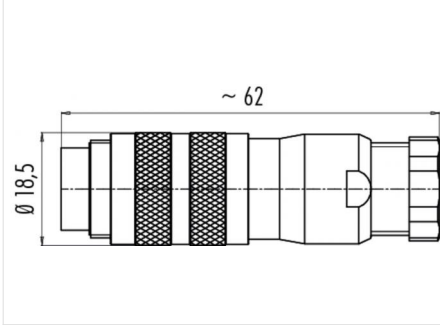
Product description **Contacts: 2, cable plug connector with shielding ring, shieldable, cable outlet 6 - 8 mm, silver plated contacts, UL approval**

Area **M16 IP67 Series 423**
 Order number **99 5601 15 02**

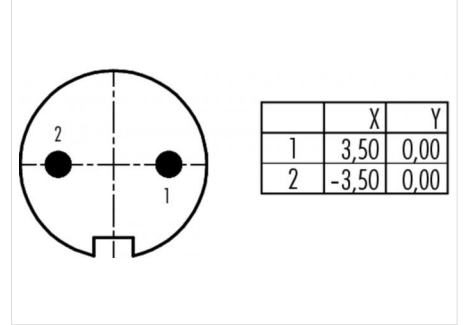
Illustration



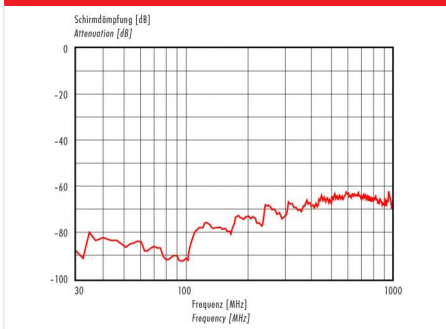
Scale drawing



Contact arrangement



Attenuation characteristics



You can find the component part drawing and assembly instructions on the next page.

Technical data

General values

Connector design	Cable Connector
Connector locking system	bolted
Termination	solder
Wire gauge (mm)	0,75 mm ²
Wire gauge (AWG)	20
Cable outlet	6 – 8 mm
Upper limit temperature	95 °C
Lower limit temperature	-30 °C

Cable data

Approval 1	UL
------------	----

Electrical values

Rated voltage	250 V
Rated impulse voltage	1500 V
Pollution degree	1
Overvoltage category	I
Insulating material group	III
Rated current (40 °C)	7 A
Volume resistivity	≤ 5 mΩ
EMC compliance	shieldable
Degree of protection	IP67
Mechanical operation	> 500 Mating cycles

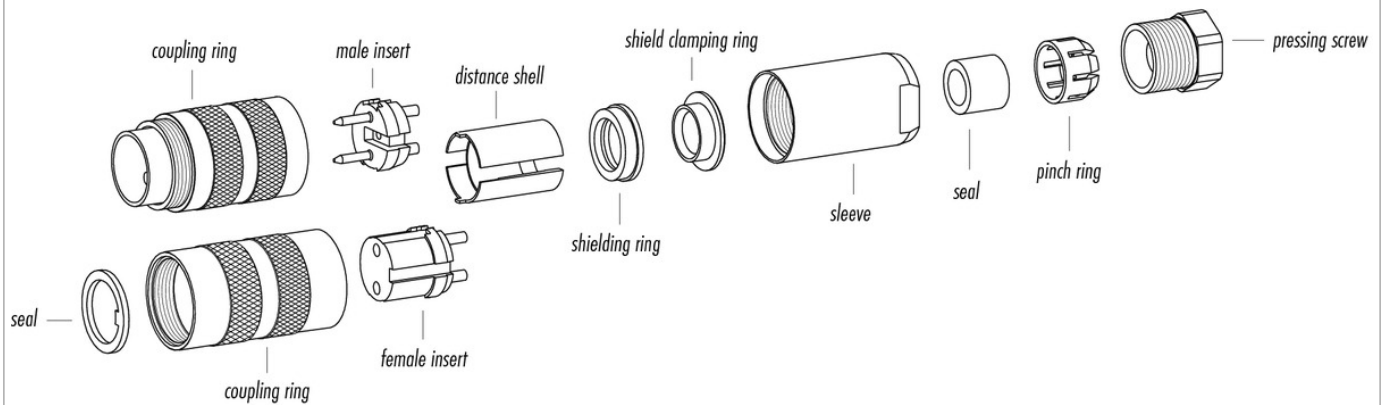
Material

Contact material	CuZn (Messing)
Contact plating	Ag (silver)
Contact body material	PBT (UL 94 V-0)

Product description **Contacts: 2, cable plug connector with shielding ring, shieldable, cable outlet 6 - 8 mm, silver plated contacts, UL approval**

Area **M16 IP67 Series 423**
 Order number **99 5601 15 02**

Component part drawing



Assembly instructions / Panel cut-out

Gerade Version

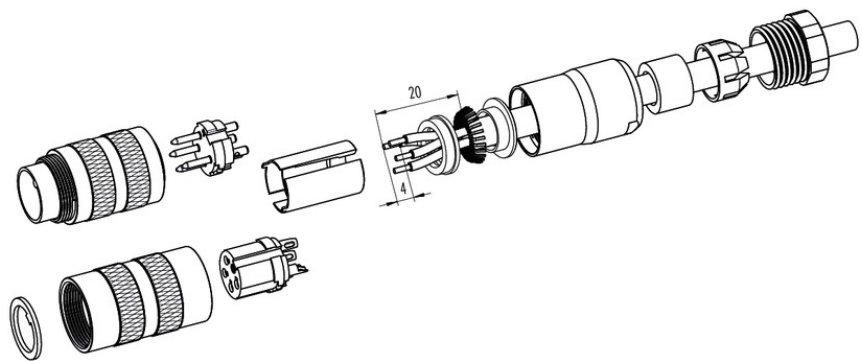
(Ausführung mit Schirmklemmung)

1. Druckschraube, Klemmkorb, Dichtung, Distanzhülse und ersten Schirmklemmring auffädeln.
2. Litzen abisolieren, Schirm aufweiten und zweiten Schirmklemmring auffädeln.
3. Litzen anlöten, Distanzhülse montieren, die beiden Klemmringe mit dem Schirm zusammenschieben und überstehenden Schirm abschneiden.
4. Übrige Teile gemäß Darstellung montieren.

Straight version

(Version with shield clamping ring)

1. Bead pressing screw, pinch ring, seal, distance shell and first shield clamping ring on cable.
2. Strip wires, widen shield and bead second shield clamping ring.
3. Solder wires, snap distance shell, push the two shield clamping rings together and cutt off projecting shielding braid.
4. Assemble remaining parts according to picture.



Product description	Contacts: 2, cable plug connector with shielding ring, shieldable, cable outlet 6 - 8 mm, silver plated contacts, UL approval
Area	M16 IP67 Series 423
Order number	99 5601 15 02

Sicherheitshinweise

1. The connector must not be connected or separated under load. Non-observance and incorrect use can result in personal injury.
2. The connectors are designed for use in plant, control system and electrical equipment. The end user is responsible for checking whether the connectors are suitable for use in other applications.
4. Connectors used in electrical circuits containing hazardous life parts must only be assembled and used by or under the supervision of persons with the requisite electrotechnical training, taking the applicable regulations and standards into account.
6. Connectors with degree of protection IP 67 and IP 68 are not suitable for use under water. When used outdoors, the connectors must be separately protected against corrosion. For further information about IP degrees of protection refer to 'Technical support' in the Download Centre.
7. The connector is not suitable for mains voltages. Please observe the pollution degrees and the overvoltage category. For further information refer to 'Technical support' in the Download Centre.
8. To lock the cable connector to the equipment connector, the threaded ring is tightened until it is 'finger-tight' (approx. 50 cNm).