

Product data sheet

Specifications



variable speed drive ATV61 - 500 hp - 460 V

ATV61HC31N4

! Discontinued on: May 27, 2021

! To be end-of-service on: Dec 31, 2028

! Discontinued

Main

| | |
|-----------------------------------|--|
| Range Of Product | Altivar 61 |
| Product Or Component Type | Variable speed drive |
| Product Specific Application | Pumping and ventilation machine |
| Component Name | ATV61 |
| Motor Power Kw | 280 kW, 3 phase 380...480 V 315 kW, 3 phase 380...480 V |
| Maximum Horse Power Rating | 450 hp, 3 phase 380...480 V 500 hp, 3 phase 380...480 V |
| Power Supply Voltage | 380...480 V - 15...10 % |
| Supply Number Of Phases | 3 phase |
| Line Current | 494 A 380 V 3 phase 280 kW / 450 hp 494 A 480 V 3 phase 280 kW / 450 hp 544 A 480 V 3 phase 315 kW / 500 hp 555 A 380 V 3 phase 315 kW / 500 hp |
| Emc Filter | Level 3 EMC filter |
| Assembly Style | With heat sink |
| Apparent Power | 325.1 kVA 380 V 3 phase 280 kW / 450 hp 365.3 kVA 380 V 3 phase 315 kW / 500 hp |
| Maximum Prospective Line Isc | 50 kA 3 phase |
| Maximum Transient Current | 739.2 A 60 s, 3 phase |
| Nominal Switching Frequency | 2.5 kHz |
| Switching Frequency | 2...8 kHz adjustable 2.5...8 kHz with derating factor |
| Asynchronous Motor Control | Flux vector control without sensor, standard Voltage/frequency ratio, 5 points Voltage/frequency ratio - Energy Saving, quadratic U/f Voltage/frequency ratio, 2 points |
| Synchronous Motor Control Profile | Vector control without sensor, standard |
| Communication Port Protocol | Modbus CANopen |
| Type Of Polarization | No impedance Modbus |

Price is "List Price" and may be subject to a trade discount – check with your local distributor or retailer for actual price.

| | |
|--------------------|---|
| Option Card | Communication card APOGEE FLN Communication card BACnet Communication card CC-Link Controller inside programmable card Communication card DeviceNet Communication card EtherNet/IP Communication card Fipio I/O extension card Communication card Interbus-S Communication card LonWorks Communication card METASYS N2 Communication card Modbus Plus Communication card Modbus TCP Communication card Modbus/Uni-Telway Multi-pump card Communication card Profibus DP Communication card Profibus DP V1 |
|--------------------|---|

Complementary

| | |
|---|---|
| Product Destination | Synchronous motors Asynchronous motors |
| Power Supply Voltage Limits | 323...528 V |
| Power Supply Frequency | 50...60 Hz - 5...5 % |
| Power Supply Frequency Limits | 47.5...63 Hz |
| Continuous Output Current | 616 A 2.5 kHz, 380 V - 3 phase 616 A 2.5 kHz, 460 V - 3 phase |
| Output Frequency | 0.1...500 Hz |
| Speed Range | 1...100 in open-loop mode, without speed feedback |
| Speed Accuracy | +/- 10 % of nominal slip 0.2 Tn to Tn without speed feedback |
| Torque Accuracy | +/- 15 % in open-loop mode, without speed feedback |
| Transient Overtorque | 130 % of nominal motor torque +/- 10 % 60 s |
| Braking Torque | <= 125 % with braking resistor 30 % without braking resistor |
| Regulation Loop | Frequency PI regulator |
| Motor Slip Compensation | Not available in voltage/frequency ratio (2 or 5 points) Adjustable Can be suppressed Automatic whatever the load |
| Diagnostic | for drive voltage 1 LED (red) |
| Output Voltage | <= power supply voltage |
| Electrical Isolation | Between power and control terminals |
| Type Of Cable For Mounting In An Enclosure | With an IP21 or an IP31 kit 3 IEC cable 104 °F (40 °C), copper 70 °C / PVC With UL Type 1 kit 3 UL 508 cable 104 °F (40 °C), copper 75 °C / PVC Without mounting kit 1 IEC cable 113 °F (45 °C), copper 70 °C / PVC Without mounting kit 1 IEC cable 113 °F (45 °C), copper 90 °C / XLPE/EPR |
| Electrical Connection | Terminal 2.5 mm ² / AWG 14 AI1-/AI1+, AI2, AO1, R1A, R1B, R1C, R2A, R2B, L1...LI6, PWR) Terminal 4 x 185 mm ² / 3 x 350 kcmil L1/R, L2/S, L3/T, U/T1, V/T2, W/T3) Terminal 4 x 185 mm ² / 3 x 350 kcmil PC/-, PO, PA/+) |
| Tightening Torque | 5.31 lbf.in (0.6 N.m) AI1-/AI1+, AI2, AO1, R1A, R1B, R1C, R2A, R2B, L1...LI6, PWR) 362.88 lbf.in (41 N.m), 360 lb.in PC/-, PO, PA/+) 362.88 lbf.in (41 N.m), 360 lb.in L1/R, L2/S, L3/T, U/T1, V/T2, W/T3) |
| Supply | Internal supply for reference potentiometer (1 to 10 kOhm) 10.5 V DC, +/- 5 %, <10 mA overload and short-circuit protection Internal supply 24 V DC 21...27 V), <200 mA overload and short-circuit protection External supply 24 V DC 19...30 V) |
| Analogue Input Number | 2 |

| | |
|--|--|
| Analogue Input Type | AI1-/AI1+ bipolar differential voltage +/- 10 V DC 24 V max 11 bits + sign AI2 software-configurable current 0...20 mA 242 Ohm 11 bits AI2 software-configurable voltage 0...10 V DC 24 V max 30000 Ohm 11 bits |
| Sampling Time | 2 ms +/- 0.5 ms AI1-/AI1+) - analog input 2 ms +/- 0.5 ms AI2) - analog input 2 ms +/- 0.5 ms AO1) - analog output 2 ms +/- 0.5 ms LI1...LI5) - discrete input 2 ms +/- 0.5 ms LI6)if configured as logic input - discrete input |
| Absolute Accuracy Precision | +/- 0.6 % AI1-/AI1+) for a temperature variation 60 °C +/- 0.6 % AI2) for a temperature variation 60 °C +/- 1 % AO1) for a temperature variation 60 °C |
| Linearity Error | +/- 0.15 % of maximum value AI1-/AI1+) +/- 0.15 % of maximum value AI2) +/- 0.2 % AO1) |
| Analogue Output Number | 1 |
| Analogue Output Type | AO1 software-configurable current 0...20 mA 500 Ohm 10 bits AO1 software-configurable voltage 0...10 V DC 470 Ohm 10 bits AO1 software-configurable logic output 10 V, 20 mA |
| Discrete Output Number | 2 |
| Discrete Output Type | Configurable relay logic R1A, R1B, R1C) NO/NC - 100000 cycles Configurable relay logic R2A, R2B) NO - 100000 cycles |
| Maximum Response Time | <= 100 ms in STO (Safe Torque Off) R1A, R1B, R1C <= 7 ms +/- 0.5 ms R2A, R2B <= 7 ms +/- 0.5 ms |
| Minimum Switching Current | 3 mA 24 V DC configurable relay logic |
| Maximum Switching Current | R1, R2 2 A 250 V AC inductive, cos phi = 0.4 7 ms R1, R2 2 A 30 V DC inductive, cos phi = 0.4 7 ms R1, R2 5 A 250 V AC resistive, cos phi = 1 0 ms R1, R2 5 A 30 V DC resistive, cos phi = 1 0 ms |
| Discrete Input Number | 7 |
| Discrete Input Type | Programmable LI1...LI5) 24 V DC <= 30 V)level 1 PLC - 3500 Ohm Switch-configurable LI6) 24 V DC <= 30 V)level 1 PLC - 3500 Ohm Switch-configurable PTC probe LI6)0...6 - 1500 Ohm Safety input PWR) 24 V DC <= 30 V) - 1500 Ohm |
| Discrete Input Logic | Negative logic (sink) LI1...LI5), > 16 V, < 10 V Positive logic (source) LI1...LI5), < 5 V, > 11 V Negative logic (sink) LI6)if configured as logic input, > 16 V, < 10 V Positive logic (source) LI6)if configured as logic input, < 5 V, > 11 V |
| Acceleration And Deceleration Ramps | Automatic adaptation of ramp if braking capacity exceeded, by using resistor S, U or customized Linear adjustable separately from 0.01 to 9000 s |
| Braking To Standstill | By DC injection |
| Protection Type | Against exceeding limit speed drive Against input phase loss drive Break on the control circuit drive Input phase breaks drive Line supply overvoltage drive Line supply undervoltage drive Overcurrent between output phases and earth drive Overheating protection drive Overvoltages on the DC bus drive Power removal drive Short-circuit between motor phases drive Thermal protection drive Motor phase break motor Power removal motor Thermal protection motor |
| Insulation Resistance | > 1 mOhm 500 V DC for 1 minute to earth |
| Frequency Resolution | Analog input 0.024/50 Hz Display unit 0.1 Hz |

| | |
|----------------------------|---|
| Connector Type | 1 RJ45 on front face)Modbus 1 RJ45 on terminal)Modbus Male SUB-D 9 on RJ45CANopen |
| Physical Interface | 2-wire RS 485 Modbus |
| Transmission Frame | RTU Modbus |
| Transmission Rate | 4800 bps, 9600 bps, 19200 bps, 38.4 Kbps Modbus on terminal 9600 bps, 19200 bps Modbus on front face 20 kbps, 50 kbps, 125 kbps, 250 kbps, 500 kbps, 1 Mbps CANopen |
| Data Format | 8 bits, 1 stop, even parity Modbus on front face 8 bits, odd even or no configurable parity Modbus on terminal |
| Number Of Addresses | 1...127 CANopen 1...247 Modbus |
| Method Of Access | Slave CANopen |
| Marking | CE |
| Operating Position | Vertical +/- 10 degree |
| Net Weight | 456.36 lb(US) (207 kg) |
| Width | 23.43 in (595 mm) |
| Height | 46.85 in (1190 mm) |
| Depth | 14.84 in (377 mm) |

Environment

| | |
|--------------------------------------|--|
| Noise Level | 68 dB 86/188/EEC |
| Dielectric Strength | 3535 V DC between earth and power terminals 5092 V DC between control and power terminals |
| Electromagnetic Compatibility | Conducted radio-frequency immunity test level 3 IEC 61000-4-6 Electrical fast transient/burst immunity test level 4 IEC 61000-4-6 Electrostatic discharge immunity test level 3 IEC 61000-4-2 Radiated radio-frequency electromagnetic field immunity test level 3 IEC 61000-4-3 Voltage dips and interruptions immunity test IEC 61000-4-11 |
| Standards | EN/IEC 61800-5-1 EN/IEC 61800-3 EN 61800-3 environments 1 category C3 EN 61800-3 environments 2 category C3 EN 55011 class A group 2 UL Type 1 IEC 60721-3-3 class 3C2 |
| Product Certifications | NOM 117 DNV GOST UL C-tick CSA |
| Pollution Degree | 3 EN/IEC 61800-5-1 3 UL 840 |
| Degree Of Protection | IP41 on upper part EN/IEC 60529 IP41 on upper part EN/IEC 61800-5-1 IP54 on lower part EN/IEC 60529 IP54 on lower part EN/IEC 61800-5-1 IP00 EN/IEC 60529 IP00 EN/IEC 61800-5-1 IP30 on side parts EN/IEC 60529 IP30 on side parts EN/IEC 61800-5-1 IP30 on the front panel EN/IEC 60529 IP30 on the front panel EN/IEC 61800-5-1 |
| Vibration Resistance | 0.6 gn 10...200 Hz)EN/IEC 60068-2-6 1.5 mm peak to peak 3...10 Hz)EN/IEC 60068-2-6 |
| Shock Resistance | 4 gn 11 ms EN/IEC 60068-2-27 |

| | |
|--|---|
| Relative Humidity | 5...95 % without condensation IEC 60068-2-3 5...95 % without dripping water IEC 60068-2-3 |
| Ambient Air Temperature For Operation | 14...113 °F (-10...45 °C) without derating) 113...140 °F (45...60 °C) with derating factor) |
| Ambient Air Temperature For Storage | -13...158 °F (-25...70 °C) |
| Operating Altitude | <= 3280.84 ft (1000 m) without derating 3280.84...9842.52 ft (1000...3000 m) with current derating 1 % per 100 m |

Ordering and shipping details

| | |
|--------------------------|------------------------------------|
| Category | 22140-ATV61 500 THRU 900 HP DRIVES |
| Discount Schedule | CP4C |
| Gtin | 3389118086432 |
| Returnability | No |
| Country Of Origin | IN |

Packing Units

| | |
|-------------------------------------|--------------------------|
| Unit Type Of Package 1 | PCE |
| Number Of Units In Package 1 | 1 |
| Package 1 Height | 20.87 in (53.0 cm) |
| Package 1 Width | 25.39 in (64.5 cm) |
| Package 1 Length | 49.21 in (125.0 cm) |
| Package 1 Weight | 511.47 lb(US) (232.0 kg) |

Contractual warranty

| | |
|-----------------|-----------|
| Warranty | 18 months |
|-----------------|-----------|

Sustainability

Green Premium™ label is Schneider Electric's commitment to delivering products with best-in-class environmental performance. Green Premium promises compliance with the latest regulations, transparency on environmental impacts, as well as circular and low-CO₂ products.

Guide to assessing product sustainability is a white paper that clarifies global eco-label standards and how to interpret environmental declarations.


[Learn more about Green Premium >](#)


[Guide to assess a product's sustainability >](#)



RoHS/REACH

Well-being performance

 Mercury Free

 Rohs Exemption Information Yes

Certifications & Standards

Eu Rohs Directive Pro-active compliance (Product out of EU RoHS legal scope)
[EU RoHS Declaration](#)

China Rohs Regulation [China RoHS declaration](#)

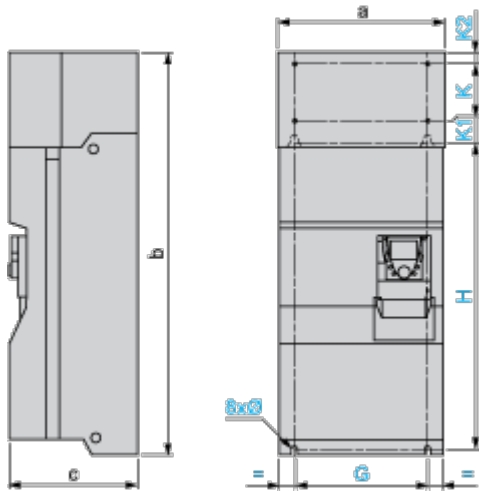
Weee The product must be disposed on European Union markets following specific waste collection and never end up in rubbish bins.

California Proposition 65 WARNING: This product can expose you to chemicals including: Lead and lead compounds, which is known to the State of California to cause cancer and birth defects or other reproductive harm. For more information go to www.P65Warnings.ca.gov

Dimensions Drawings

UL Type 1/IP 20 Drives

Dimensions with or without 1 Option Card (1)



Dimensions in mm

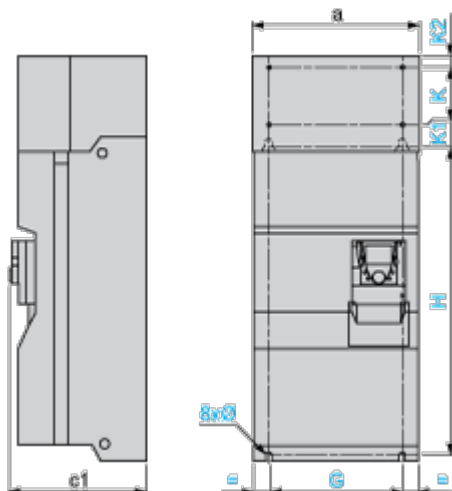
| a | b | c | G | H | K | K1 | K2 | Ø |
|-----|------|-----|-----|-----|-----|----|----|------|
| 595 | 1190 | 377 | 540 | 920 | 150 | 75 | 30 | 11.5 |

Dimensions in in.

| a | b | c | G | H | K | K1 | K2 | Ø |
|-------|-------|-------|-------|-------|------|------|------|------|
| 23.43 | 46.85 | 14.84 | 21.26 | 36.22 | 5.90 | 2.95 | 1.18 | 0.45 |

(1) Option cards: I/O extension cards, communication cards or "Controller Inside" programmable card.

Dimensions with 2 Option Cards (1)



Dimensions in mm

| a | c1 | G | H | K | K1 | K2 | Ø |
|-----|-----|-----|-----|-----|----|----|------|
| 595 | 392 | 540 | 920 | 150 | 75 | 30 | 11.5 |

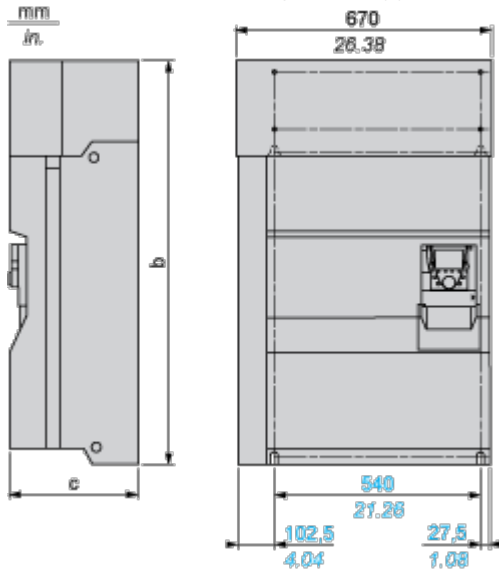
Dimensions in in.

| | | | | | | | |
|-------|-------|-------|-------|------|------|------|------|
| a | c1 | G | H | K | K1 | K2 | Ø |
| 23.43 | 15.43 | 21.26 | 36.22 | 5.90 | 2.95 | 1.18 | 0.45 |

(1) Option cards: I/O extension cards, communication cards or "Controller Inside" programmable card.

Drive with Braking Unit VW3A7101

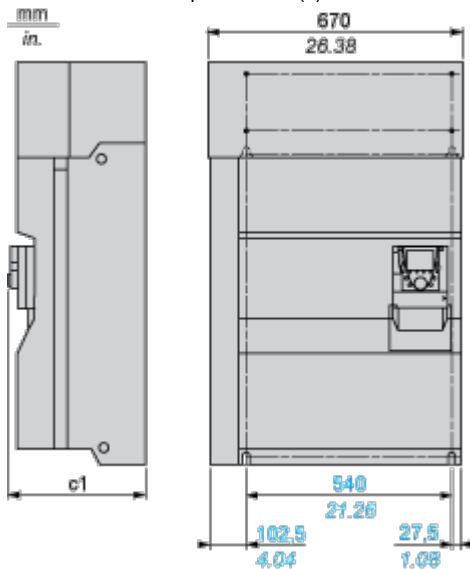
Dimensions with or without 1 Option Card (1)



| b in mm | c in mm | b in in. | c in in. |
|---------|---------|----------|----------|
| 1190 | 377 | 46.85 | 14.84 |

(1) Option cards: I/O extension cards, communication cards or "Controller Inside" programmable card.

Dimensions with 2 Option Cards (1)



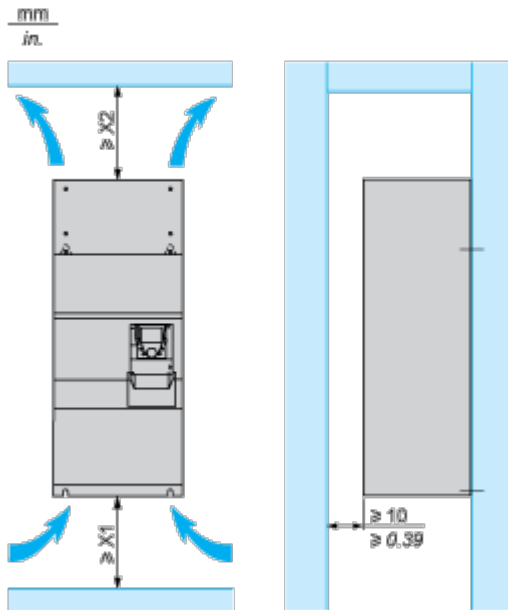
| c1 in mm | c1 in in. |
|----------|-----------|
| 392 | 15.43 |

(1) Option cards: I/O extension cards, communication cards or "Controller Inside" programmable card.

Mounting and Clearance

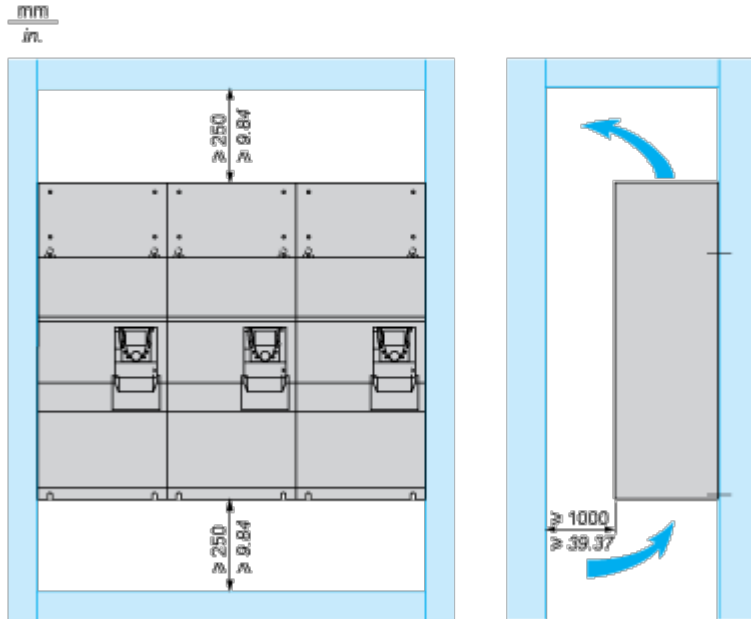
Mounting Recommendations

Clearance



| X1 in mm | X2 in mm | X1 in in. | X2 in in. |
|----------|----------|-----------|-----------|
| 150 | 200 | 5.91 | 7.87 |

These drives can be mounted side by side, observing the following mounting recommendations:

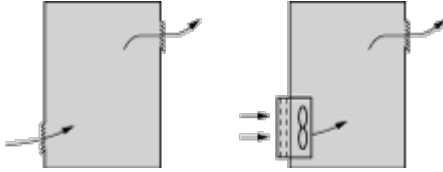


Specific Recommendations for Mounting the Drive in an Enclosure

Ventilation

To ensure proper air circulation in the drive:

- Fit ventilation grilles.
- Ensure that there is sufficient ventilation. If there is not, install a forced ventilation unit with a filter. The openings and/or fans must provide a flow rate at least equal to that of the drive fans (refer to the product characteristics).



- Use special filters with IP 54 protection.
- Remove the blanking cover from the top of the drive.

Dust and Damp Proof Metal Enclosure (IP 54)

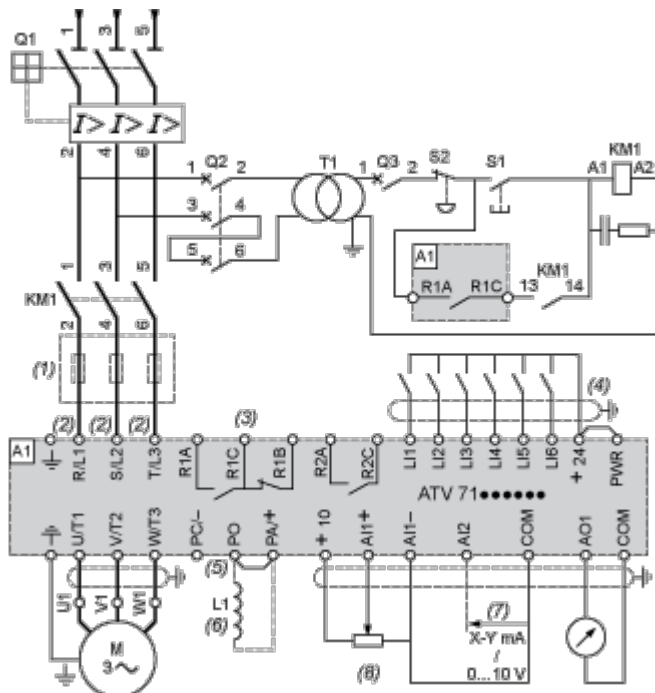
The drive must be mounted in a dust and damp proof enclosure in certain environmental conditions: dust, corrosive gases, high humidity with risk of condensation and dripping water, splashing liquid, etc.

This enables the drive to be used in an enclosure where the maximum internal temperature reaches 50°C.

Connections and Schema

Wiring Diagram Conforming to Standards EN 954-1 Category 1, IEC/EN 61508 Capacity SIL1, in Stopping Category 0 According to IEC/EN 60204-1

Three-Phase Power Supply with Upstream Breaking via Contactor



A1 ATV61 drive

KM1 Contactor

L1 DC choke

Q1 Circuit-breaker

Q2 GV2 L rated at twice the nominal primary current of T1

Q3 GB2CB05

S1, S2 XB4 B or XB5 A pushbuttons

T1 100 VA transformer 220 V secondary

(1) Line choke (three-phase); mandatory for ATV61HC11Y...HC80Y drives (except when a special transformer is used (12-pulse)).

(2) For ATV61HC50N4, ATV61HC63N4 and ATV61HC50Y...HC80Y drives, refer to the power terminal connections diagram.

(3) Fault relay contacts. Used for remote signalling of the drive status.

(4) Connection of the common for the logic inputs depends on the positioning of the SW1 switch. The above diagram shows the internal power supply switched to the "source" position (for other connection types, refer to the user guide).

(5) There is no PO terminal on ATV61HC11Y...HC80Y drives.

(6) Optional DC choke for ATV61H...M3, ATV61HD11M3X...HD45M3X and ATV61H075N4...HD75N4 drives. Connected in place of the strap between the PO and PA/+ terminals. For ATV61HD55M3X...HD90M3X,

ATV61HD90N4...HC63N4 drives, the choke is supplied with the drive; the customer is responsible for connecting it. For ATV61W...N4 and ATV61W...N4C drives, the DC choke is integrated.

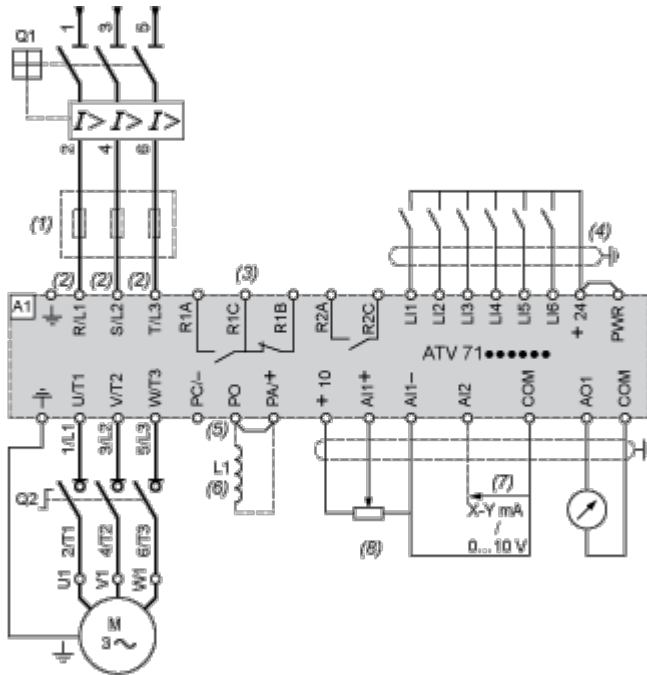
(7) Software-configurable current (0...20 mA) or voltage (0...10 V) analog input.

(8) Reference potentiometer.

NOTE: All terminals are located at the bottom of the drive. Fit interference suppressors on all inductive circuits near the drive or connected on the same circuit, such as relays, contactors, solenoid valves, fluorescent lighting, etc.

Wiring Diagram Conforming to Standards EN 954-1 Category 1, IEC/EN 61508 Capacity SIL1, in Stopping Category 0 According to IEC/EN 60204-1

Three-Phase Power Supply with Downstream Breaking via Switch Disconnecter



A1 ATV61 drive

L1 DC choke

Q1 Circuit-breaker

Q2 Switch disconnecter (Vario)

(1) Line choke (three-phase), mandatory for ATV61HC11Y...HC80Y drives (except when a special transformer is used (12-pulse)).

(2) For ATV61HC50N4, ATV61HC63N4 and ATV61HC50Y...HC80Y drives, refer to the power terminal connections diagram.

(3) Fault relay contacts. Used for remote signalling of the drive status.

(4) Connection of the common for the logic inputs depends on the positioning of the SW1 switch. The above diagram shows the internal power supply switched to the "source" position (for other connection types, refer to the user guide).

(5) There is no PO terminal on ATV61HC11Y...HC80Y drives.

(6) Optional DC choke for ATV61H...M3, ATV61HD11M3X...HD45M3X and ATV61H075N4...HD75N4 drives. Connected in place of the strap between the PO and PA+ terminals. For ATV61HD55M3X...HD90M3X, ATV61HD90N4...HC63N4 drives, the choke is supplied with the drive; the customer is responsible for connecting it. For ATV61W...N4 and ATV61W...N4C drives, the DC choke is integrated.

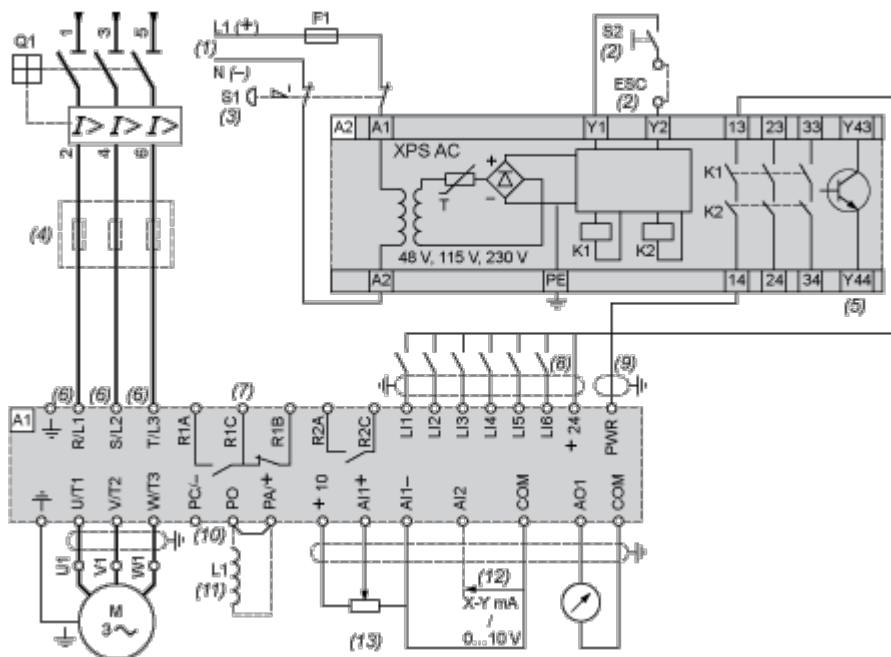
(7) Software-configurable current (0...20 mA) or voltage (0...10 V) analog input.

(8) Reference potentiometer.

NOTE: All terminals are located at the bottom of the drive. Fit interference suppressors on all inductive circuits near the drive or connected on the same circuit, such as relays, contactors, solenoid valves, fluorescent lighting, etc.

Wiring Diagram Conforming to Standards EN 954-1 Category 3, IEC/EN 61508 Capacity SIL2, in Stopping Category 0 According to IEC/EN 60204-1

Three-Phase Power Supply, Low Inertia Machine, Vertical Movement



- A1 ATV61 drive
- A2 Preventa XPS AC safety module for monitoring emergency stops and switches. One safety module can manage the “Power Removal” function for several drives on the same machine. In this case, each drive must connect its PWR terminal to its + 24 V via the safety contacts on the XPS AC module. These contacts are independent for each drive.
- F1 Fuse
- L1 DC choke
- Q1 Circuit-breaker
- S1 Emergency stop button with 2 contacts
- S2 XB4 B or XB5 A pushbutton
- (1) Power supply: 24 Vdc or Vac, 115 Vac, 230 Vac.
- (2) S2: resets XPS AC module on power-up or after an emergency stop. ESC can be used to set external starting conditions.
- (3) Requests freewheel stopping of the movement and activates the “Power Removal” safety function.
- (4) Line choke (three-phase), mandatory for and ATV61HC11Y...HC80Y drives (except when a special transformer is used (12-pulse)).
- (5) The logic output can be used to signal that the machine is in a safe stop state.
- (6) For ATV61HC50N4, ATV61HC63N4 and ATV61HC50Y...HC80Y drives, refer to the power terminal connections diagram.
- (7) Fault relay contacts. Used for remote signalling of the drive status.
- (8) Connection of the common for the logic inputs depends on the positioning of the SW1 switch. The above diagram shows the internal power supply switched to the “source” position (for other connection types, refer to the user guide).
- (9) Standardized coaxial cable, type RG174/U according to MIL-C17 or KX3B according to NF C 93-550, external diameter 2.54 mm /0.09 in., maximum length 15 m / 49.21 ft. The cable shielding must be earthed.
- (10) There is no PO terminal on ATV61HC11Y...HC80Y drives.
- (11) Optional DC choke for ATV61H...M3, ATV61HD11M3X...HD45M3X and ATV61H075N4...HD75N4 drives. Connected in place of the strap between the PO and PA/+ terminals. For ATV61HD55M3X...HD90M3X,

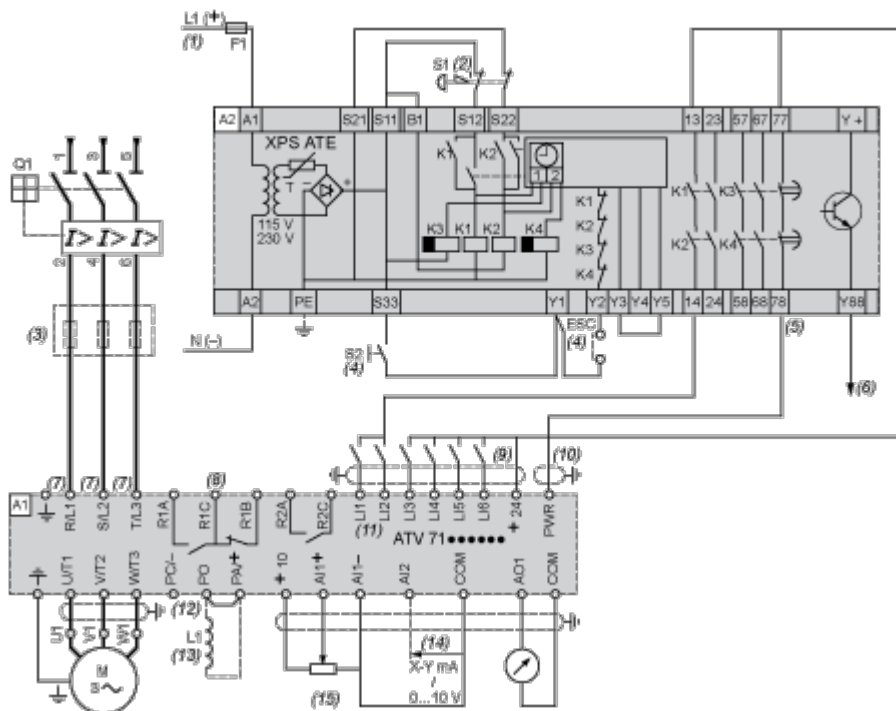
ATV61HD90N4...HC63N4 drives, the choke is supplied with the drive; the customer is responsible for connecting it. For ATV61W***N4 and ATV61W***N4C drives, the DC choke is integrated.

- (12) Software-configurable current (0...20 mA) or voltage (0...10 V) analog input.
- (13) Reference potentiometer.

NOTE: All terminals are located at the bottom of the drive. Fit interference suppressors on all inductive circuits near the drive or connected on the same circuit, such as relays, contactors, solenoid valves, fluorescent lighting, etc.

Wiring Diagram Conforming to Standards EN 954-1 Category 3, IEC/EN 61508 Capacity SIL2, in Stopping Category 1 According to IEC/EN 60204-1

Three-Phase Power Supply, High Inertia Machine



A1 ATV61 drive

A2 (5) Preventa XPS ATE safety module for monitoring emergency stops and switches. One safety module can manage the "Power Removal" safety function for several drives on the same machine. In this case the time delay must be adjusted on the drive controlling the motor that requires the longest stopping time. In addition, each drive must connect its PWR terminal to its + 24 V via the safety contacts on the XPS ATE module. These contacts are independent for each drive.

F1 Fuse

L1 DC choke

Q1 Circuit-breaker

S1 Emergency stop button with 2 contacts

S2 XB4 B or XB5 A pushbutton

(1) Power supply: 24 Vdc or Vac, 115 Vac, 230 Vac.

(2) Requests controlled stopping of the movement and activates the "Power Removal" safety function.

(3) Line choke (three-phase), mandatory for ATV61HC11Y...HC80Y drives (except when a special transformer is used (12-pulse)).

(4) S2: resets XPS ATE module on power-up or after an emergency stop. ESC can be used to set external starting conditions.

(5) The logic output can be used to signal that the machine is in a safe state.

(6) For stopping times requiring more than 30 seconds in category 1, use a Preventa XPS AV safety module which can provide a maximum time delay of 300 seconds.

(7) For ATV61HC50N4, ATV61HC63N4 and ATV61HC50Y...HC80Y drives, refer to the power terminal connections diagram.

(8) Fault relay contacts. Used for remote signalling of the drive status.

(9) Connection of the common for the logic inputs depends on the positioning of the SW1 switch. The above diagram shows the internal power supply switched to the "source" position (for other connection types, refer to the user guide).

(10) Standardized coaxial cable, type RG174/U according to MIL-C17 or KX3B according to NF C 93-550, external diameter 2.54 mm/0.09 in., maximum length 15 m/49.21 ft. The cable shielding must be earthed.

(11) Logic inputs LI1 and LI2 must be assigned to the direction of rotation: LI1 in the forward direction and LI2 in the reverse direction.

(12) There is no PO terminal on ATV61HC11Y...HC80Y drives.

(13) Optional DC choke for ATV61H***M3, ATV61HD11M3X...HD45M3X and ATV61H075N4...HD75N4 drives. Connected in place of the strap between the PO and PA/+ terminals. For ATV61HD55M3X...HD90M3X, ATV61HD90N4...HC63N4 drives, the choke is supplied with the drive; the customer is responsible for connecting it. For ATV61W***N4 and ATV61W***N4C drives, the DC choke is integrated.

(14) Software-configurable current (0...20 mA) or voltage (0...10 V) analog input.

(15) Reference potentiometer.

NOTE: All terminals are located at the bottom of the drive. Fit interference suppressors on all inductive circuits near the drive or connected on the same circuit, such as relays, contactors, solenoid valves, fluorescent lighting, etc.

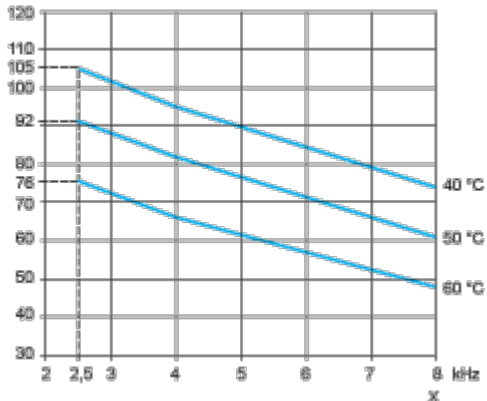
Performance Curves

Derating Curves

The derating curves for the drive nominal current (In) depend on the temperature and the switching frequency. For intermediate temperatures (e.g. 55°C), interpolate between 2 curves.

Drive combined with a 280 kW motor

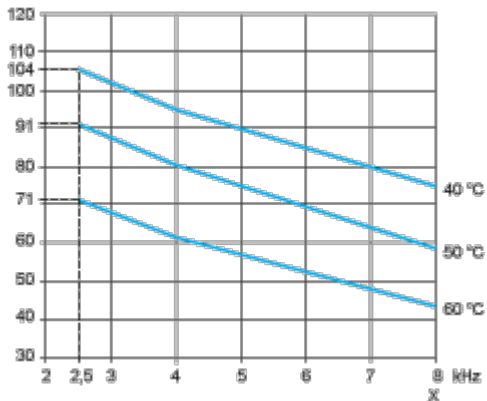
I / In (%)



X Switching frequency

Drive combined with a 315 kW motor

I / In (%)



X Switching frequency