

# Product data sheet

## Automation technology - Voltage and Power Supply

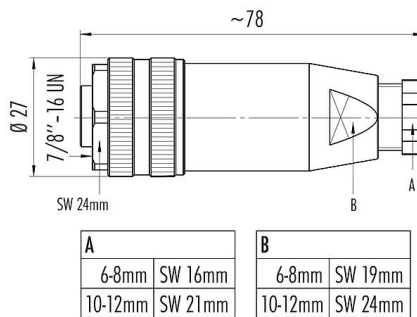


Product description	7/8" Female cable connector, Contacts: 2+PE, 6.0-8.0 mm, unshielded, screw clamp, IP67, UL, VDE
Area	7/8" series 820
Part no.	99 2440 12 03

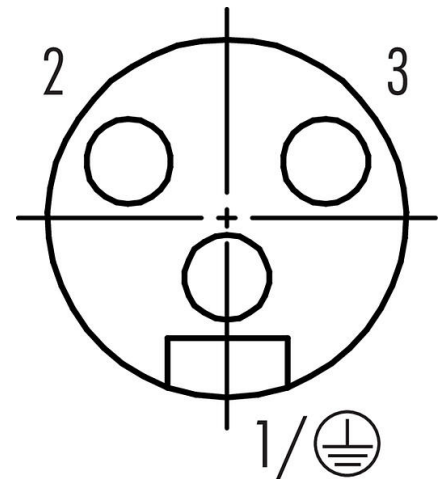
### Illustration



### Scale drawing



### Contact arrangement (Plug-in side)



You can find the component part drawing and assembly instructions on the next page.

### Technical data

#### General features

Part no.	<b>99 2440 12 03</b>
Connector design	Female cable connector
Version	Connector socket straight
Connector locking system	screw
Termination	screw clamp
Degree of protection	IP67
Cross-sectional area	max. 1.50 mm <sup>2</sup> / AWG 16
Cable outlet	6.0-8.0 mm
Temperature range from/to	-25 °C / 85 °C
Mechanical operation	> 50 Mating cycles
Weight (g)	43.37
Customs tariff number	85369010
Country of Origin	DE

#### Electrical parameters

Rated voltage	300 V (600 V UL)
Rated impulse voltage	4000 V
Rated current	12.0 A
Insulation resistance	≥ 10 <sup>10</sup> Ω
Pollution degree	3
Overvoltage category	III
Insulating material group	III

# Product data sheet

## Automation technology - Voltage and Power Supply



Product description	7/8" Female cable connector, Contacts: 2+PE, 6.0-8.0 mm, unshielded, screw clamp, IP67, UL, VDE
-	-
Area	7/8" series 820
Part no.	99 2440 12 03

EMC compliance unshielded

### Material

Housing material	PBT
Contact body material	PUR/PA
Contact material	CuZn (brass) / CuSn (bronze)
Contact plating	Au (gold)
Locking material	Zinc die-cast nickel-plated
REACH SVHC	CAS 96-45-7 (Imidazolidine-2-thione) CAS 7439-92-1 (Lead)
SCIP number	2a693250-d12c-4ea7-96b2-82a200438153

### Authorization/approvals

Approvals UL, VDE

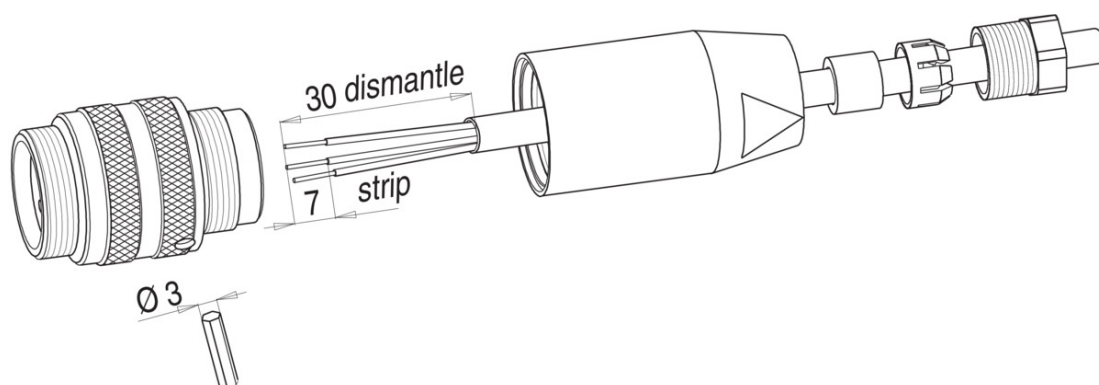
### Classifications

eCl@ss 11.1 27-44-01-02  
ETIM 9.0 EC002635

### Declarations of conformity

Low Voltage Directive 2014/35/EU (EN 60204-1:2018;EN 60529:1991)

### Assembly instructions

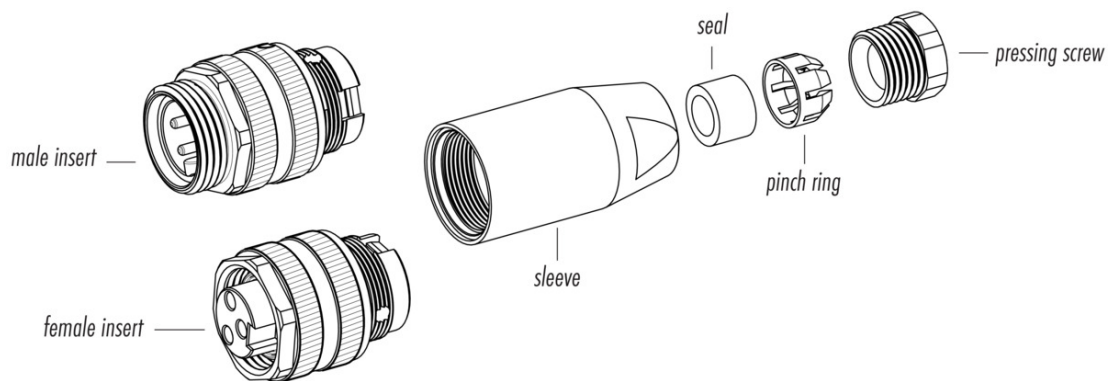


# Product data sheet

## Automation technology - Voltage and Power Supply

Product description	7/8" Female cable connector, Contacts: 2+PE, 6.0-8.0 mm, unshielded, screw clamp, IP67, UL, VDE
-	-
Area	7/8" series 820
Part no.	99 2440 12 03

### Component part drawing



Product description	<b>7/8" Female cable connector, Contacts: 2+PE, 6.0-8.0 mm, unshielded, screw clamp, IP67, UL, VDE</b>
-	-
Area	<b>7/8" series 820</b>
Part no.	<b>99 2440 12 03</b>

### General Disclaim Notice

The connector must not be plugged or unplugged under load. Non-observance and improper use can result in personal injury.

The connectors have been developed for applications in plant engineering, control and electrical equipment construction. The user is responsible for checking whether the connectors can also be used in other areas of application.

Connectors which are used in circuits with voltages dangerous to the touch may only be installed and used by, or under the supervision of, persons with electrical engineering training, taking into account the applicable regulations and standards.

Plug connectors with enclosure protection IP67 and IP68 are not suitable for use under water. When used outdoors, the plug connectors must be protected separately against corrosion. For further information on the IP protection classes, please refer to the "Technical Information" download centre.

To lock the cable connector with the device connector, the threaded ring is tightened "hand-tight" (approx. 50 cNm).