



TI-P060-01
 ST Issue 7

HV3 Stop Valve

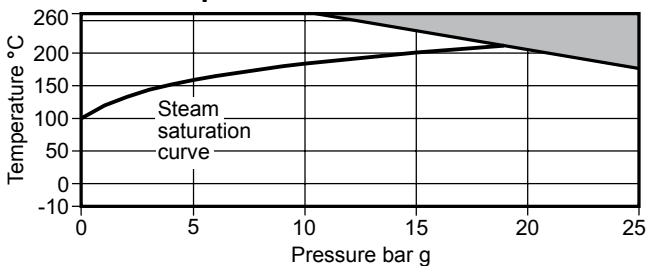
Description

A bronze bodied globe valve for steam, water, oil or air applications.
 To BS 5154 Series A.

Sizes and pipe connections

½", ¾", 1", 1¼", 1½" and 2" screwed BSP parallel.

Pressure/temperature limits



The product **must not** be used in this region.

Maximum body design conditions	PN25
PMA Maximum allowable pressure	25 bar g @ 170°C
TMA Maximum allowable temperature	260°C @ 10.5 bar g
Minimum allowable temperature	-10°C
PMO Maximum operating pressure	25 bar g @ 170°C
TMO Maximum operating temperature	260°C @ 10.5 bar g
Minimum operating temperature	-10°C
Designed for a maximum cold hydraulic test pressure of 38 bar g	

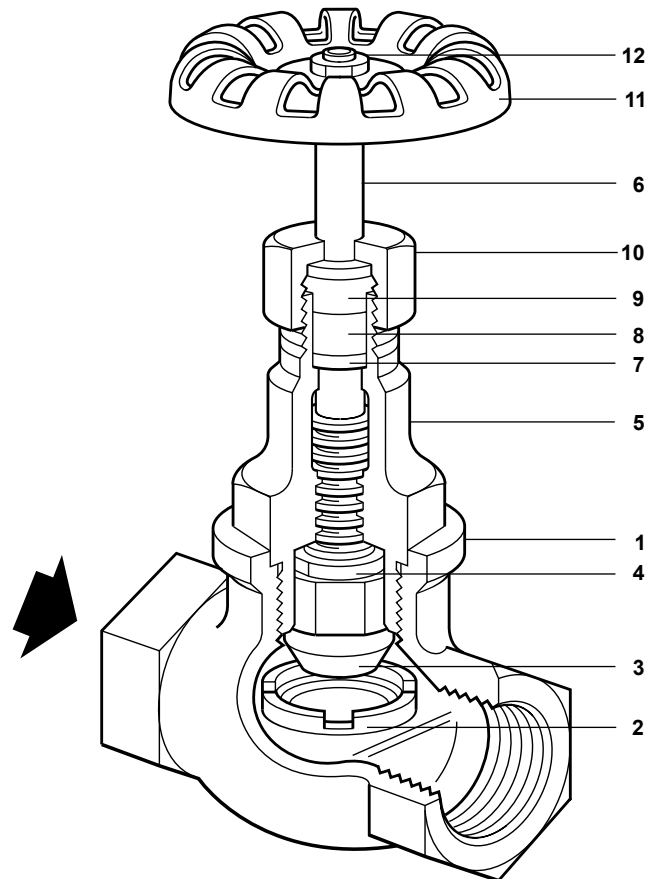
Materials

No.	Part	Material	
1	Body	Gunmetal	BS 1400 LG2
2	Valve seat	Stainless steel	AISI 431
3	Valve	Stainless steel	AISI 431
4	Lock-nut	Gunmetal	BS 1400 LG2
5	Bonnet	Gunmetal	BS 1400 LG2
6	Stem	½" - 1"	Austenitic stainless steel BS 970 303 S31
		1¼" - 2"	Gunmetal BS 1400 LG2
7	Washer	Gunmetal	BS 1400 LG2
8	Gland packing	PTFE	
9	Gland	Gunmetal	BS 1400 LG2
10	Packing nut	Gunmetal	BS 1400 LG2
11	Handwheel	Aluminium	DIN 1725 GK-A1 Si 1
12	Handwheel nut	Brass	DIN 17660 MS63

K_v values

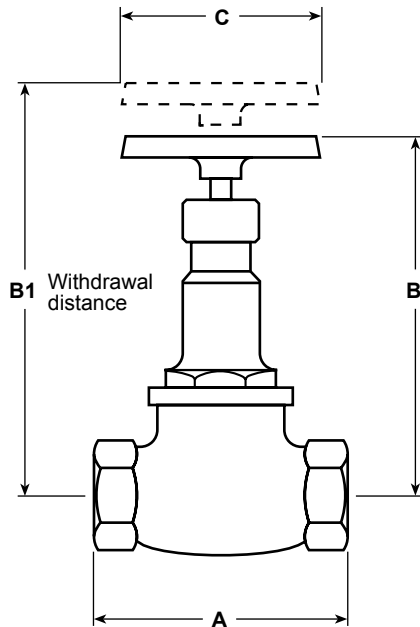
Size	½"	¾"	1"	1¼"	1½"	2"
K _v	1.3	1.6	4.2	13.8	19.7	28

For conversion: C_v (UK) = K_v x 0.963 C_v (US) = K_v x 1.156



Dimensions/weights (approximate) in mm and kg

Size	A	B	B1	C	Weight
½"	67	102	110	60	0.60
¾"	80	110	125	60	0.86
1"	95	130	146	80	1.30
1¼"	112	144	160	100	2.08
1½"	132	144	160	100	2.86
2"	160	174	203	120	4.65



Safety information, installation and maintenance

For full details see the Installation and Maintenance Instructions (IM-P060-04) supplied with the product.

Installation note:

Install the valve in the direction of flow given by the arrow on the body. The valve can be installed in any plane but not with the handwheel below the valve body.

Disposal

The product is recyclable. No ecological hazard is anticipated with the disposal of this product, providing due care is taken.

How to order

Example: 1 off Spirax Sarco HV3 stop valve having 1½ BSP parallel connections.

Spare parts

The spare parts available are shown in heavy outline. Parts drawn in broken line are not supplied as spares.

Available spares

Valve and seat assembly	2, 3
Gland packing (packet of 3)	8

How to order spares

Always order spares by using the description given in the column headed 'Available spares' and state the size and type of valve.

Example: 1 - Valve and seat assembly for a 1" Spirax Sarco HV3 stop valve.

Note: The above spares are applicable to the HV3 stop valve only, identified by its blue handwheel.

They are not interchangeable with spares for the HV1 stop valve identified by its green handwheel, or the HV2 stop valve, identified by its red handwheel.

