

Short description



- 4 Aluminium IP65 compression load cells
- Pre-calibrated IP54 indicator
- High accuracy
- Durable design
- Suitable for elevator weighing
- Easy installation, plug and play
- Indicates when elevator is loaded for 90% of the capacity
- Determines if the elevator is overloaded
- When less than 15 kg is loaded the elevator doesn't move
- Adjusts engine power to actual weight

Set contains

Quantity	Capacity	Full article description
4	1t	L2H-70-1t-1.6B load cell
1		IP65 fully potted junction box
1		Top-Sensors EWS-1 Indicator

Specifications and dimensions are subject to change without notice and do not constitute any liability whatsoever.

Detailed specifications L2H-1 Load cell

Accuracy class		G5
Output sensitivity (= FS)	mV/V	1.0 ± 0.1
Maximum capacity (E _{max})	t	1
Temperature effect on zero	%FS/10°C	≤± 1.0
Temperature effect on sensitivity	%FS/10°C	≤± 0.3
Creep	%FS/5 min	≤± 0.05
Non-Linearity	%FS	≤± 0.5
Repeatability	%FS	≤± 0.5
Hysteresis	%FS	≤± 0.5
Combined Error	%FS	≤± 0.5
Minimum dead load	Of E _{max}	0%
Safe overload	of E _{max}	150 %
Ultimate overload	of E _{max}	200 %
Zero balance	of FS	< ± 5.0 %
Excitation, recommended voltage	V	9 ~ 12
Excitation maximum	V	18
Input resistance	Ω	350 ± 10
Output resistance	Ω	350 ± 10
Insulation resistance	MΩ	≥2000 (at 50VDC)
Compensated temperature	°C	-10 ~+40
Operating temperature	°C	-20 ~ +60
Storage temperature	°C	-30 ~ +70
Element material		Aluminium
Ingress Protection (acc. to EN 60529)		IP65

Wiring

Wiring:

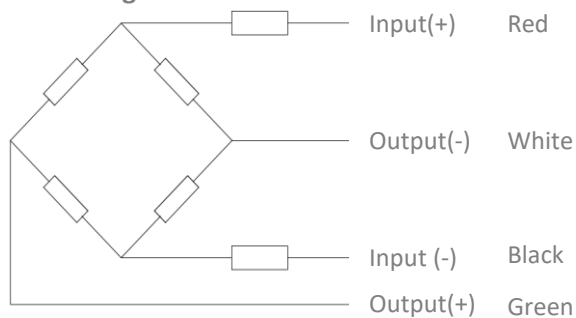
Shielded, 4 conductor cable.

Cable diameter: Ø5mm

Standard cable length: 1.6m from loadcell to junction box, 5m from junction box to indicator.

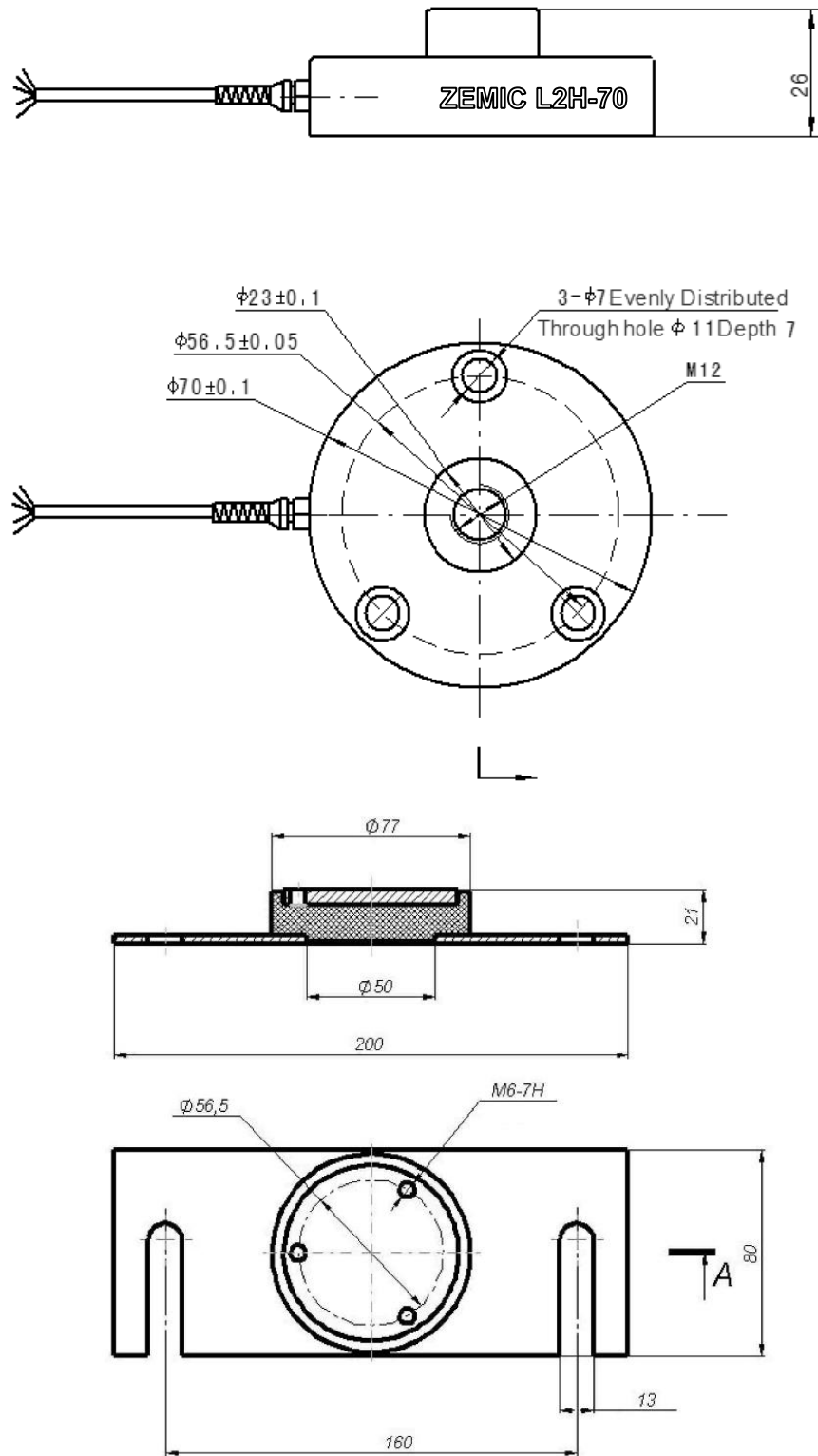
Shield not connected to element

4-wire diagram



Specifications and dimensions are subject to change without notice and do not constitute any liability whatsoever.

Dimensions in mm

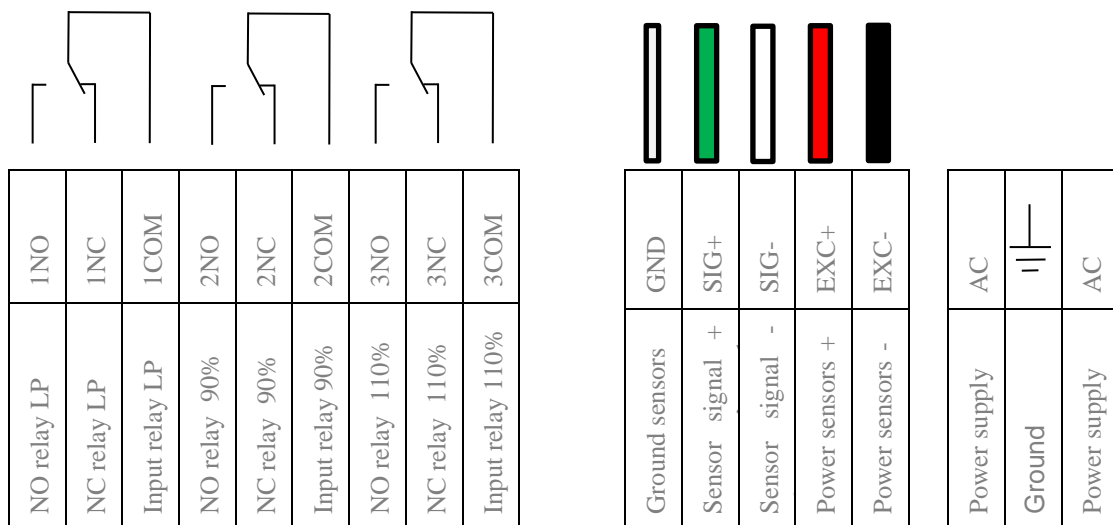


Specifications and dimensions are subject to change without notice and do not constitute any liability whatsoever.

Technical features Top-Sensors EWS-1 indicator

Power Supply	220 ± 20 V 50 ± 1 Hz
Power, no more than	5 W
Maximum current switched by relay outputs	10 A
Operating mode	continuous
Number of programmable relay outputs	3
Setting threshold range	Set in kg
passenger availability	0-50 kg
90%	0-4000 kg
110%	0-4000 kg
Number of digits of the display	4
Operating temperature range	-10 ~ +50°C
Humidity	15...95%
Degree of protection for IEC 60529 (DIN 40050)	IP54
Maximum load	Sum of individual loadcells
Maximum permissible short-time overload	150%
Lower limit of transformations	5 kg
Limits of the allowed reduced basic	± 1%
Maximum duration of the conversion cycle	2 s

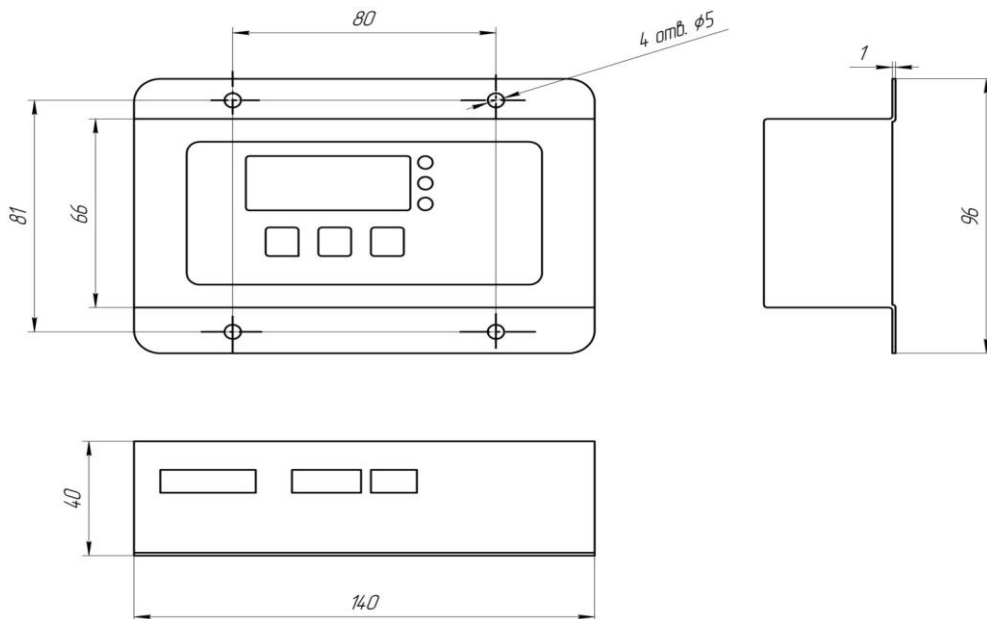
Connection diagram



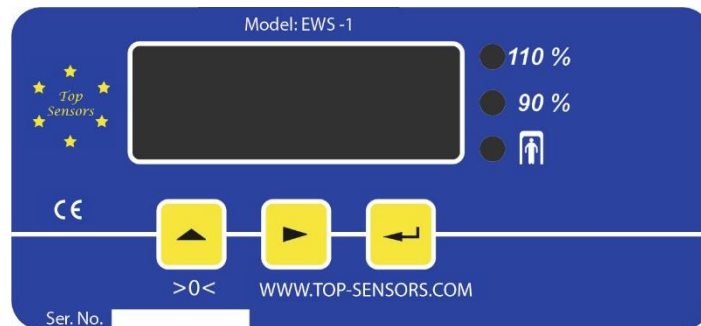
Specifications and dimensions are subject to change without notice and do not constitute any liability whatsoever.

Elevator Weighing Kit-Cabin

Dimensions in mm



Display keys and settings



110%	LED Overload		Reset button / Scroll parameter / Increase value
90%	LED 90% Load		Select a digit / Scroll menu
	LED Child only in elevator		Turn on and off the display / Enter

Specifications and dimensions are subject to change without notice and do not constitute any liability whatsoever.