

Impulse Counter Series CR 36

- Compact Size & Robust Design
- 7 Digit, Non-Resettable
- High Degree of Accuracy & Reliability
- Wide Temperature range
- Shock & Vibration Proof





Ordering Information

Cat. No.	Description
QD11A	12 VDC, Rectangular Bezel
QD21A	24 VDC, Rectangular Bezel
QD12A	12 VDC, Rectangular 2 Hole Bezel
QD22A	24 VDC, Rectangular 2 Hole Bezel
QD23A	24 VDC, Round Bezel

Impulse Counter Series CR 36

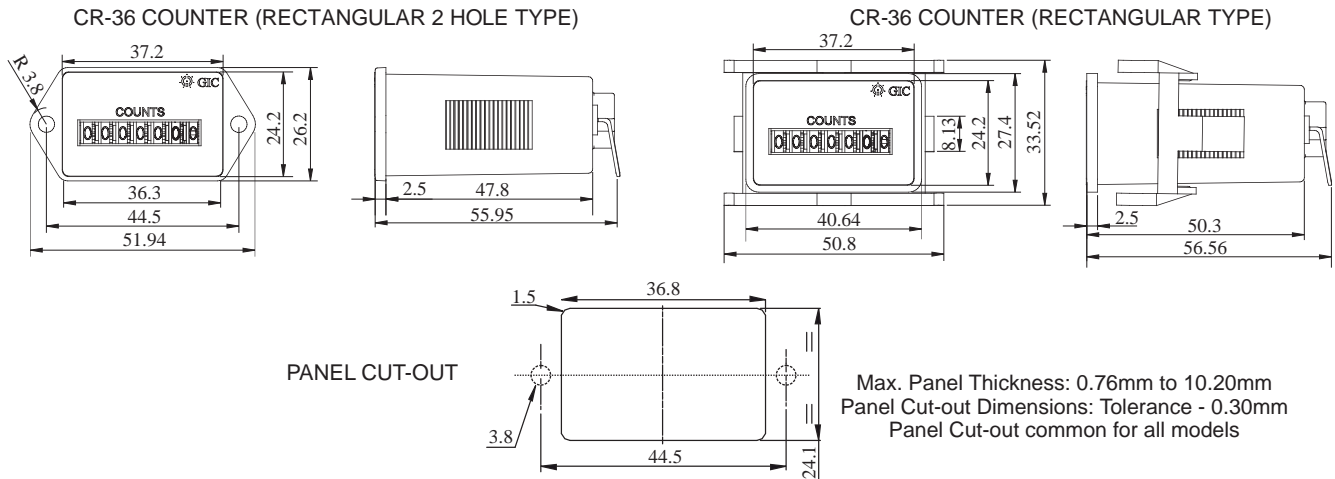


Cat. No.	QD11A	QD22A
Parameters		
Supply Voltage (ϕ)	12 VDC	24 VDC
Supply Variation	-15% to +10%	
Power Consumption (Max.)	0.25 VA	
Figure	7 Digit, White on Black, (3.6mm) High	
Maximum Range	9999999	
Speed	10 Hz Maximum (600 counts/minute)	
Pulse Width	50 ms. minimum	
Counting Method	One Pulse - One Count (energizing - ½ count, de-energizing - ½ count)	
Weight	45 gm	
Operating Temperature	-5°C to +50°C	
Humidity (Non Condensing)	45% to 85% (Rh)	
Mounting	Panel	
Degree of Protection	NEMA 4X (IP 65)	
Certification	 	

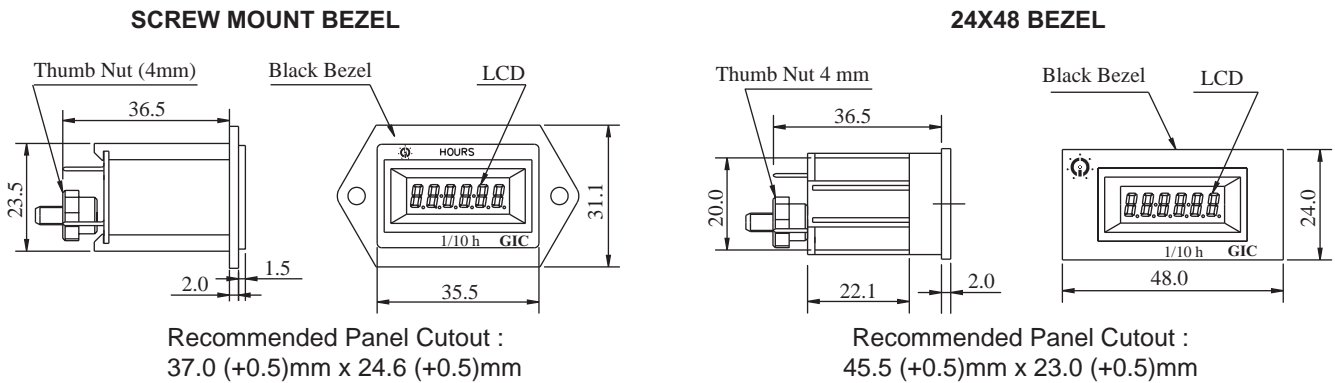
Impulse Counter Series CR 36 & Digital Counter

MOUNTING DIMENSIONS (mm)

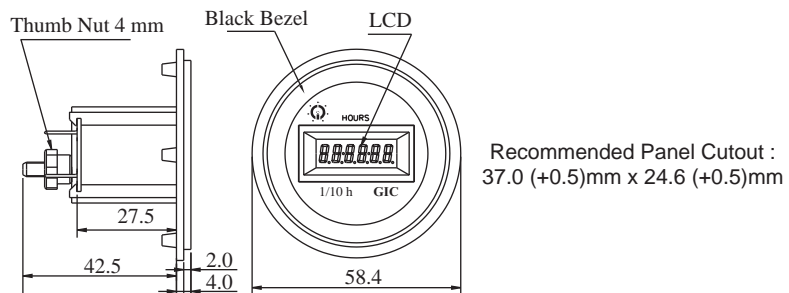
IMPULSE COUNTER CR 36



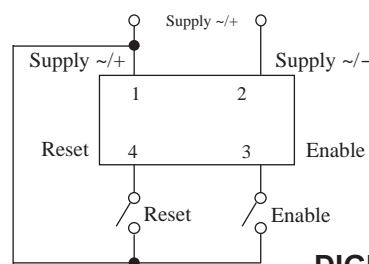
DIGITAL COUNTER



ROUND BEZEL



CONNECTION DIAGRAM



TERMINAL DESCRIPTION

- Pin 1: Supply (~ / +)
- Pin 2: Supply (~ / -)
- Pin 3: Enable
- Pin 4: Reset

DIGITAL COUNTER