

# Isolated Relay Output Module

- Provides effective 3 way Isolation between supply, input switch & relay output
  - Provides isolation of dissimilar circuits
  - Enables control of multiple loads when only one relay output is available
  - Isolated Relays are mainly used in fire safety applications that interface with HVAC system, elevator controls and access control doors.
- It can also be integrated with PLC systems.





## Ordering Information

Cat. No.	Description
IRLA01S	85-265 VAC, 47-63 Hz, 8A, Isolated Relay Output Module with One Channel, 1 C/O
IRLA02S	85-265 VAC, 47-63 Hz, 8A, Isolated Relay Output Module with Two Channel, 2 C/O
IRLA04S	85-265 VAC, 47-63 Hz, 8A, Isolated Relay Output Module with Four Channel, 4 C/O
IRLA08S	85-265 VAC, 47-63 Hz, 8A, Isolated Relay Output Module with Eight Channel, 8 C/O

# Isolated Relay Output Module



Cat. No.			IRLA01S	IRLA02S	IRLA04S	IRLA08S
<b>Parameters</b>						
Function			Protection Relay			
Supply Voltage (Φ)			85 - 265 V			
Frequency			47 - 63 Hz			
Power Consumption (Maximum)			2.5 VA	3 VA	3.8 VA	5.6 VA
LED Indication	GREEN	ON	Power ON			
		OFF	Power OFF			
	RED	ON	Relay ON			
		OFF	Relay OFF			
Output	Relay	1 C/O, 8A (Res.) @ 240 VAC / 30 VDC				
	Contact Material	AgNi / AgSnO <sub>2</sub>				
Mechanical Life Expectancy			3x10 <sup>7</sup> Operations			
Electrical Life Expectancy			3x10 <sup>7</sup> Operations			
Operating Temperature			-20° C to +55 °C			
Storage Temperature			-25° C to +70 °C			
Relative Humidity (Non-Condensing)			15 to 85% (RH)			
Max. Operating Altitude			2000 m			
Degree of Protection			IP-20 for Terminals; IP-40 for Housing			IP-30 Housing
Pollution Degree			2			
Housing			Flame Retardant UL 94-V0			
Mounting			Base / Din-Rail (35 mm Symmetrical)			
Dimension (W x H x D) (in mm)			See the related Diagram			
Weight (packed) approx.			90 g	129 g	209 g	303 g
Certification			 			
<b>Safety</b>						
Test Voltage Between IEC 60947-5-1 ED.3.0 (2003-11)	Supply I/P to I/P Switch	4 kVAC				
	Supply I/P to O/P Switch	4 kVAC				
	I/P Switch to Relay O/P	4 kVAC				2.5 kVAC
Impulse Voltage Between I/P & O/P			IEC 60947-5-1			
Single Fault			IEC 61010-1			
Insulation Resistance			UL 508			
Leakage Current			UL 508			

## EMI / EMC

Harmonic Current Emissions	IEC 61000-3-2
ESD	IEC 61000-4-2
Radiated Susceptibility	CISPR 14-1
Electrical Fast Transients	IEC 61000-4-4
Surges	IEC 61000-4-5
Conducted Susceptibility	IEC 61000-4-6
Voltage Dips & Interruptions (AC)	IEC 61000-4-11
Conducted Emission	CISPR 14-1
Radiated Emission	CISPR 14-1

## Environmental Compliance

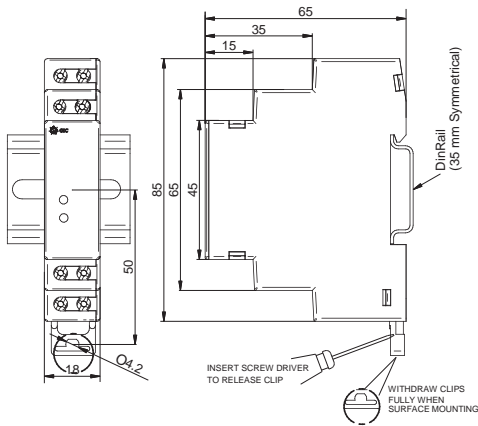
Cold Heat	IEC 60068-2-1
Dry Heat	IEC 60068-2-2
Vibration	IEC 60068-2-6
Repetitive Shock	IEC 60068-2-27
Non-Repetitive Shock	IEC 60068-2-27

# Isolated Relay Output Module

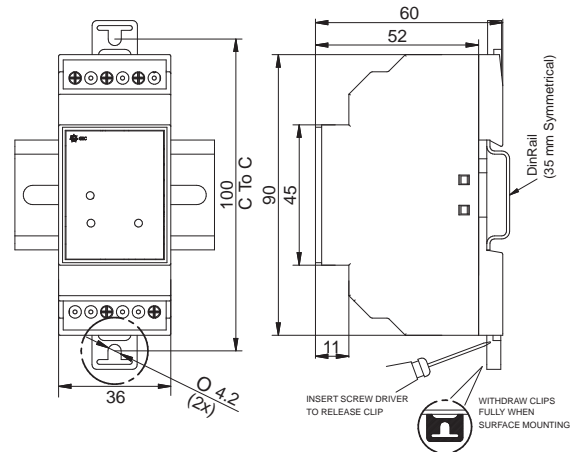


## MOUNTING DIMENSIONS (mm)

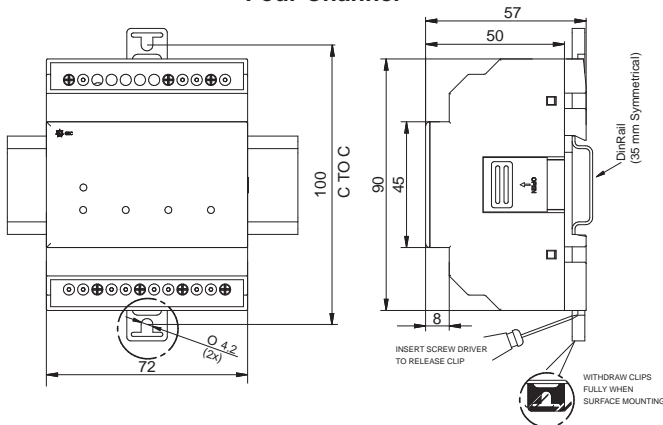
### Single Channel



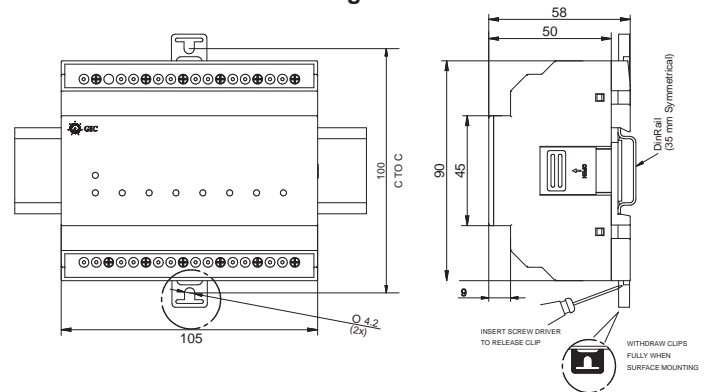
### Two Channel



### Four Channel

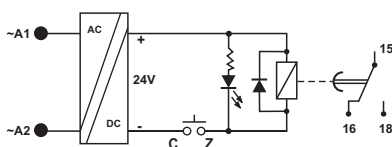


### Eight Channel

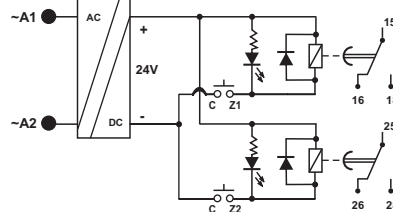


## CONNECTION DIAGRAM

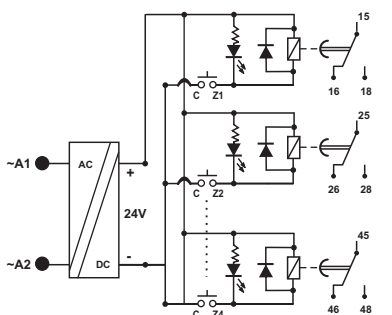
### Single Channel



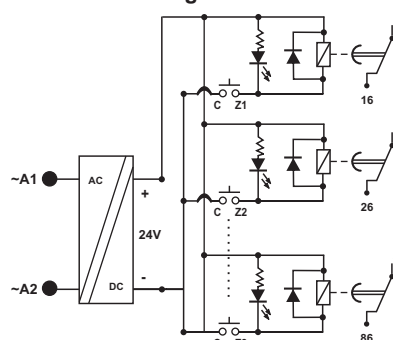
### Two Channel



### Four Channel





### Eight Channel

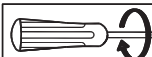
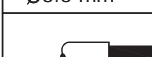


## TERMINAL TORQUE & CAPACITY

### Single Channel

	0.6 N.m (6 Lb.in) Terminal screw - M3
	1 x 0.8...5 mm <sup>2</sup> Solid / Stranded Cu Wire
AWG	1 x 18 to 10

### Two, Four & Eight Channel

	Torque 0.54 N.m (5 Lb.in) Terminal screw - M2.6
	1 x 0.2...3.3 mm <sup>2</sup> Solid Wire / Standard Cu Wire
AWG	1 x 24 to 12

Use Cu wire of 75°C only.