

Rate Indicator & Totaliser

- Wide input signal sensing range 0.01Hz to 20KHz.
- Wide Totalizer range from 1 to 9999999.
- Wide Rate range from 1 to 999999.
- Prescaling facility for Rate Indicator.
- Alarm facility for both Rate Indicator & Totalizer.
- Password enabled.
- Signal Over-range displayed.



Ordering Information

Cat. No.	Description
Z3301N0G2FT00	9 VDC - 30 VDC (with Relay output)

Rate Indicator & Totaliser



Cat. No.		Z3301N0G2FT00		
Parameters				
Supply Voltage (\pm)		9 VDC to 30 VDC		
Max. Power Consumption (W)		0.73 W		
Input Signal		Range 1 : 0.1 Hz to 40 Hz		
Frequency Range		Range 2 : 0.1 Hz to 20 KHz		
Output Type		Relay: 1 C/O, Contact Rating:5 A(Res.) @250 VAC / 30VDC Contact Material: Ag Alloy		
Display		7 digit LCD, 6.5mm Height, 12 O' Clock, Transmissive		
Rate Display		6 digit Display		
Number of keys		2 (SET & RST)		
Reset	Reset type	Terminal	Front	Auto Reset
Function	Time (min.)	80 ms	3 Sec	-
Rate Accuracy		\pm 0.01%		
Totalizer Accuracy		100 %		
Decimal Point Position (max.)		4		
Pre-scaler		4 digits before decimal point & 3 digits after decimal point.		
Operating Temperature		- 10° C to +55° C		
Storage Temperature		- 10° C to +60° C		
Humidity		5 to 95% Rh (Without condensation)		
Maximum Operating Altitude		2000 m		
Pollution Degree		II		
Degree of Protection		Front side : IP40; Terminals: IP20, Housing: IP30		
Enclosure material		UL 94 V0 Plastic		
Casing color		Black		
Weight (Unpacked)		52g		
Operating Position		Horizontal		
Termination wire Sizes		Wire size : 22-14 AWG, 0.3-2.5 mm		
Panel Cut-out		22mm X 44.8mm		
Mounting		Flush / Panel Mounting		
Certification				

EMI / EMC

ESD	IEC 61000-4-2
Radiated Susceptibility	IEC 61000-4-3
Electrical Fast Transients (Supply)	IEC 61000-4-4
Electrical Fast Transients (Signal)	IEC 61000-4-4
Surge	IEC 61000-4-5
Conducted Susceptibility	IEC 61000-4-6
Power Frequency Magnetic Field	IEC 61000-4-8
Voltage Dips	IEC 61000-4-29
Conducted Emission	CISPR 11
Radiated Emission	CISPR 11

Safety Compliance:

Test Voltage (All Terminal & Housing)	IEC 60947-5-1
Signal Fault	IEC 61010-1
Leakage Current	UL 508

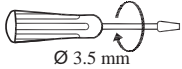

Environmental

Cold Heat	IEC 60068-2-1
Dry Heat	IEC 60068-2-2
Vibration	IEC 60068-2-6
Repetitive Shock	IEC 60068-2-27
Non-Repetitive Shock	IEC 60068-2-27

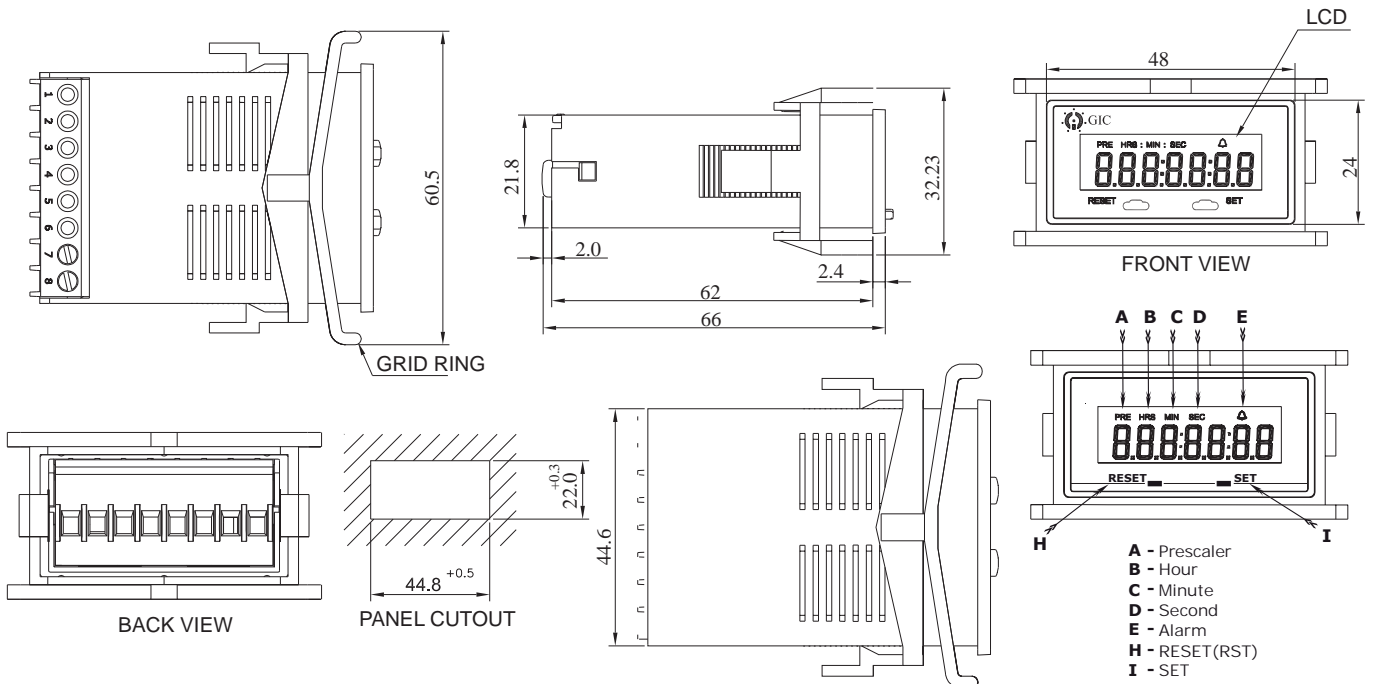
Rate Indicator & Totaliser



TERMINAL TORQUE & CAPACITY

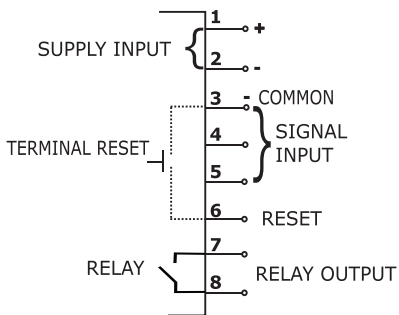
	Torque - 0.40 N.m (3.5 Lb.in) Terminal screw - M2.5
	Solid Wire - 1 X 0.3...2.5 mm ²
AWG	22 to 14

MOUNTING DIMENSIONS (mm)

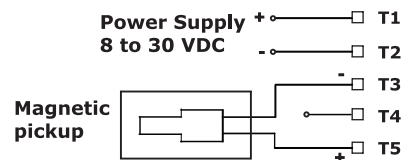


CONNECTION DIAGRAM

Z3301N0G2FT00



Magnetic pickup:



Proximity Switch Connection Diagram:

