

H G F E D C B A

4

3

2

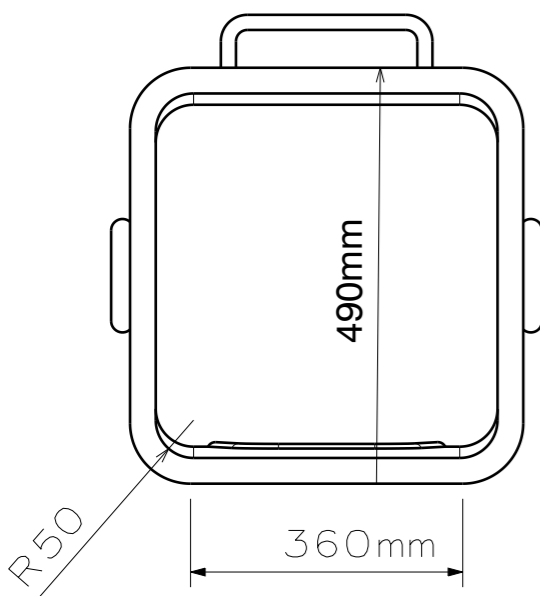
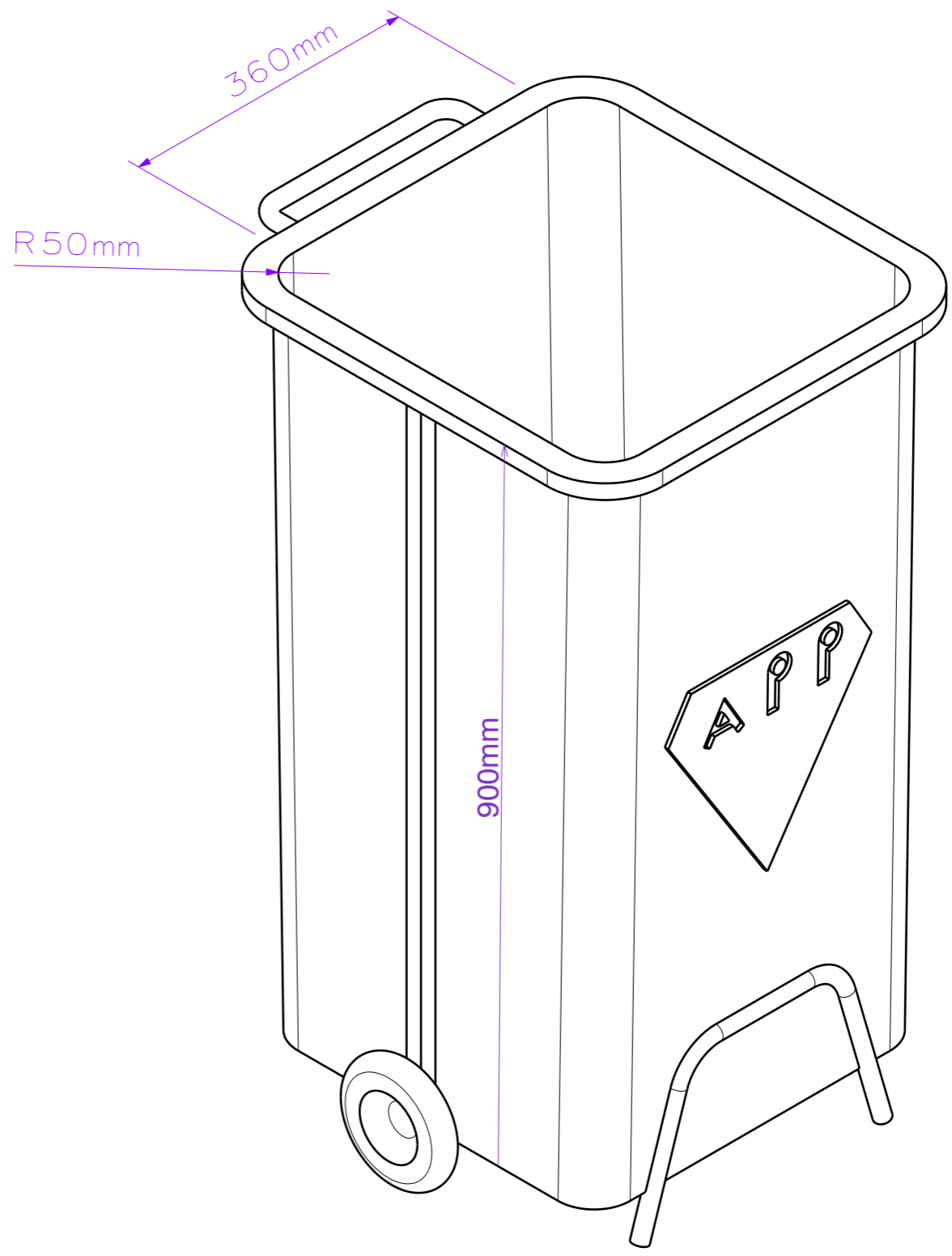
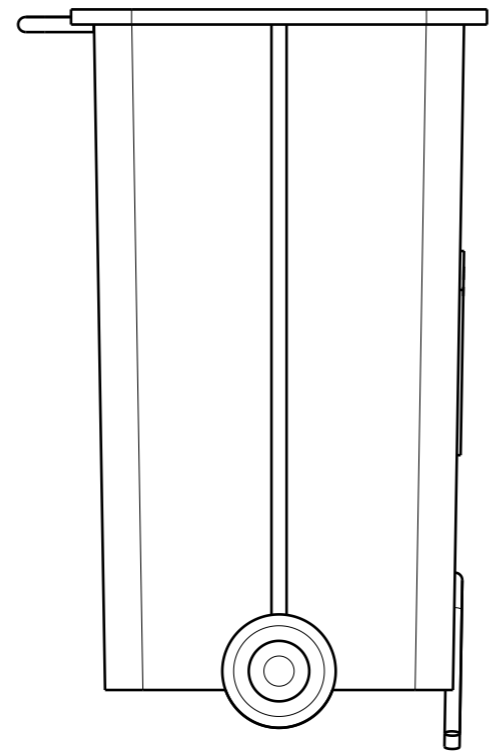
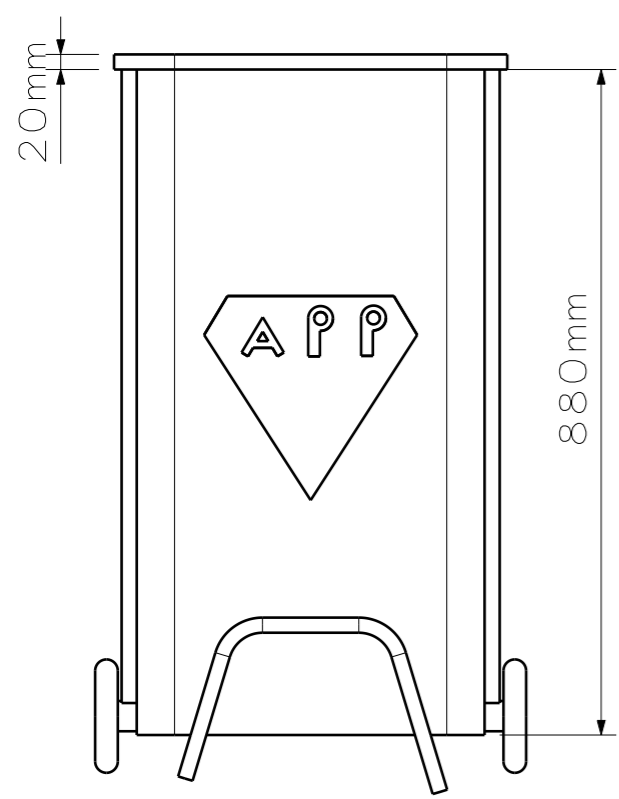
1

4

3

2

1



DESIGNED BY: h:khaloghi		Ply Name	3	I	-
CHECKED BY: mr:moharampor		Material	metal	H	-
SIZE A3		company	azarpashpishro	G	-
SCALE 1:10		Thickness	2mm	F	-
WEIGHT (kg)		volume	240lit	E	-
				D	-
				C	-
				B	-
				A	-

H G B A