

**Pakran Electronics**



**Brushless Motor Controller  
High Performance High Efficiency**



# Features

- Advanced field oriented control
- Three phase permanent magnet synchronous motor control, including BLDC motors
- CAN communications bus allows for easy interconnection of controllers and devices such as battery management systems, displays and VCUs
- Autocheck system diagnostic
- Hardware & software failsafe watchdog operation
- IP66 protection
- Highly configurable

# Specifications

	PBCE100	PBCE150
Family	Sine Wave Controller	Sine Wave Controller
Nominal Voltage	72V DC	72V DC
Input Voltage Range	45-96V DC	45-96V DC
Continious Input Current	80A	120A
Continious Input Current (Sport)	100A	150A
Peak Phase Current	330A	470A
Size/ Dimension (L*W*H)	265x 145x 68 mm	265x 145x 68 mm
Weight	2.15kg	2.15kg
Operating Temperature	-20°C to 65°C	-20°C to 65°C
Storage Temperature	-40°C to 85°C	-40°C to 85°C
Communication Protocol	CAN	CAN
Efficiency	>99% typically	>99% typically
Water And Dust Resistance	IP65	IP65

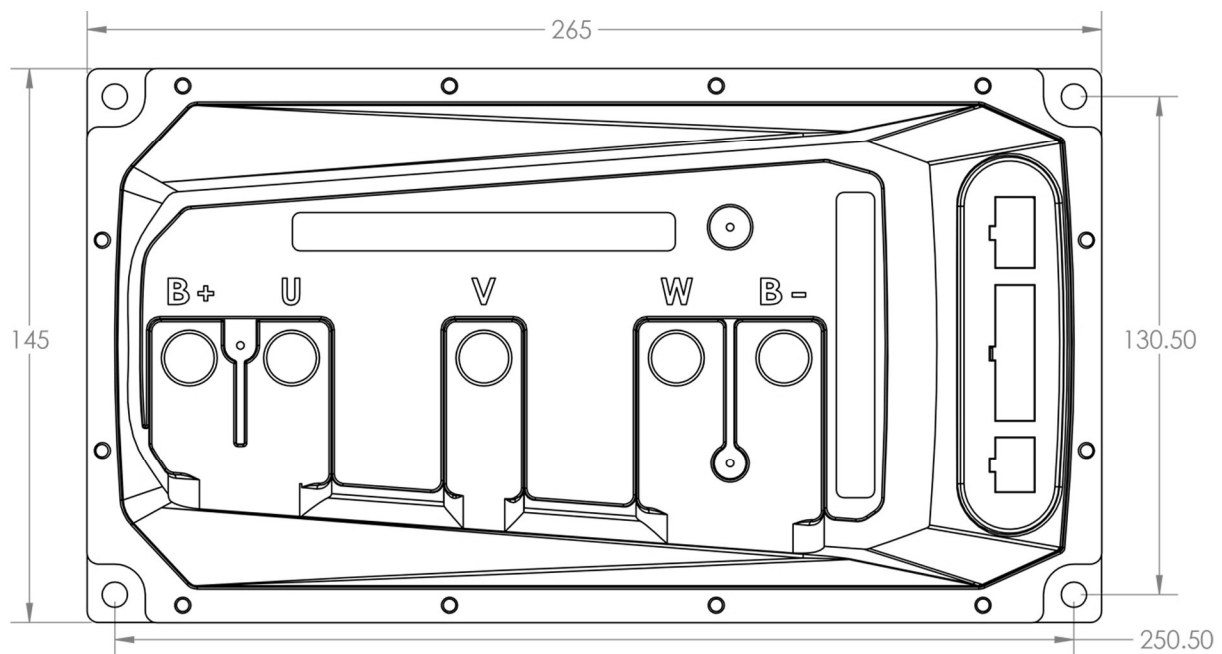
# Applications



# Advantages

- Highly efficient motor control algorithms and inbuilt regenerative braking ensure class leading efficiency and a longer vehicle range.
- Highly flexible Windows software allows any configuration setting and debugging features through USB programmer.
- Control of permanent magnet motors allows the use of high performance motors in more demanding applications.
- Our experience with a range of motors and many different applications offers a low risk solution to your needs.

# Dimensions



# Integrated I/O

PBCE Controllers include a fully-integrated set of inputs and outputs (I/O) designed to handle a wide range of vehicle requirements. This eliminates the need for additional external I/O modules or vehicle controllers and connectors.

- 10 digital inputs
- 2 analog inputs (can be configured as digital)
- 1 contactor/solenoid outputs (Optional)
- Hall Sensor supply output – 5V.
- Motor temperature sensor input.
- Throttle supply output – 5V.

# Pakran Electronics



[www.pakran.com](http://www.pakran.com)

 02166037896  02166037896  [info@pakran.com](mailto:info@pakran.com)

---

Unit 8 - No 33 - Sadeghi St - Azadi St - Tehran